

4

3

2

1

Additional Items Included But Not Shown:

PN 10490 Hex Key 5/64 (for 8-32 set screw)

Note that the illuminator mounted adjustment potentiometer is standard on this unit. Ask about a remote adjustment pot if desired.

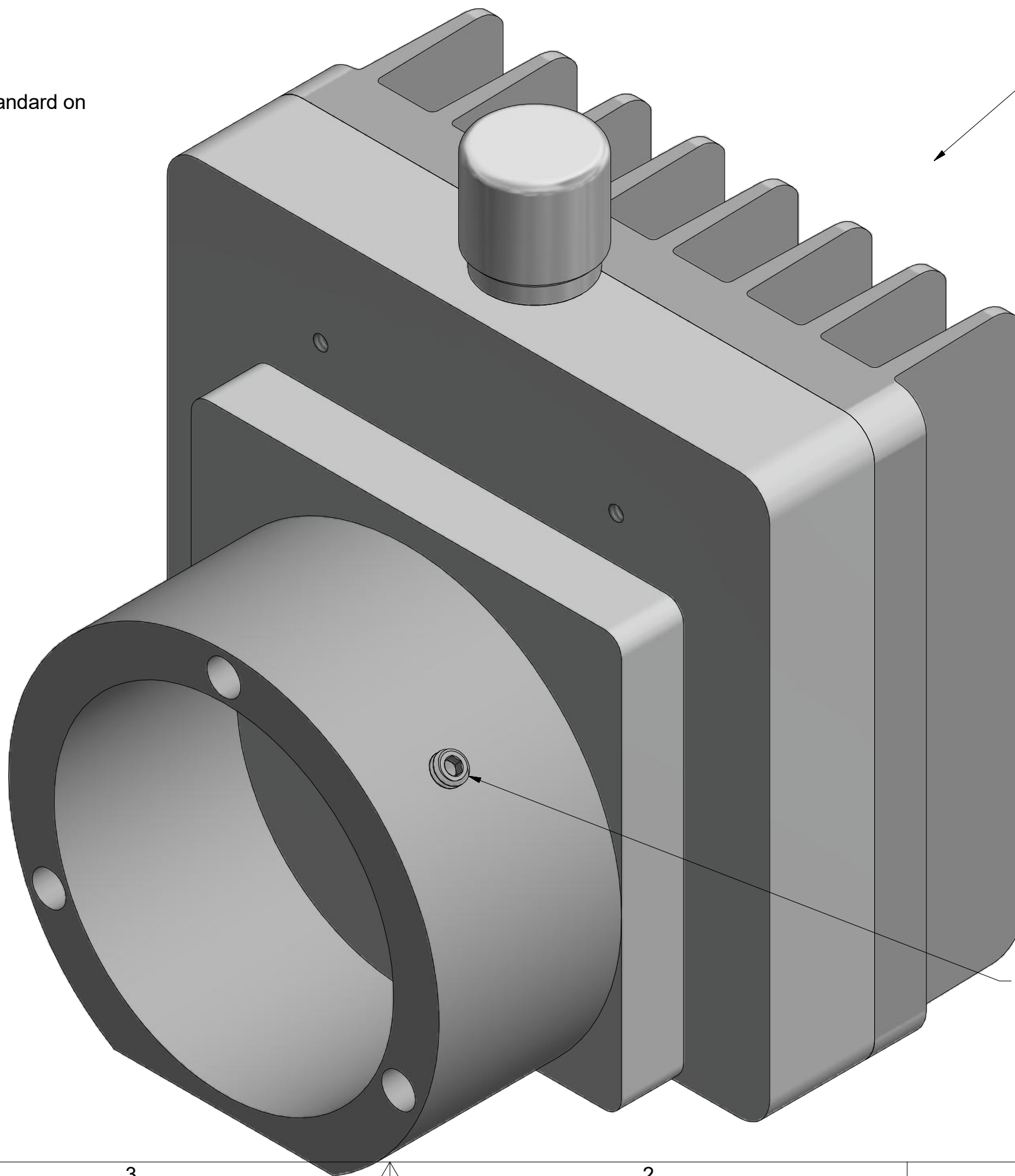
Installation:

Loosen the set screw holding the old illuminator to the condenser lens assembly of the microscope and remove the old illuminator.

Slip the Nanodyne illuminator onto the condenser lens assembly of the microscope and tighten the set screw using the 5/64 hex key provided.

Plug in the power supply and operate via the adjustment pot

PN 10463 Nikon Diaphot Illuminator Assy



Set Screw for mounting the illuminator (PN 10467 8-32 x 0.188 brass tip)



PN 11028 Power Supply - CUI 5V 2.5A 2.1 x 5.5mm RA Plug

Power supplies subject to change due to availability and regulations.

Wayne Bonin	2/8/2019	
PN 11224 Nikon Diaphot 200 & 300 - 50W Full Illuminator System		REV 2
SHEET 1	OF	1

4

3

2

1