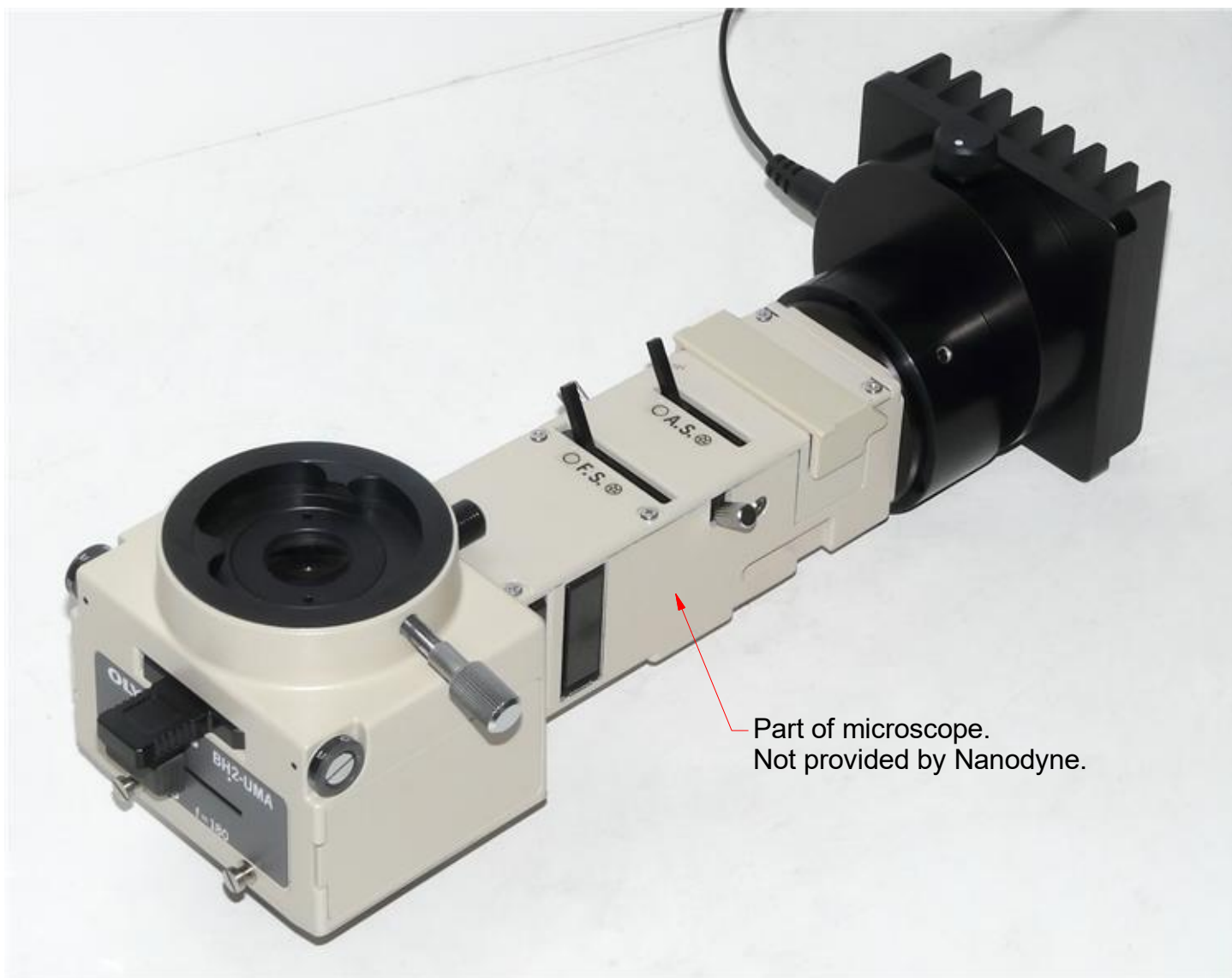


4

3

2

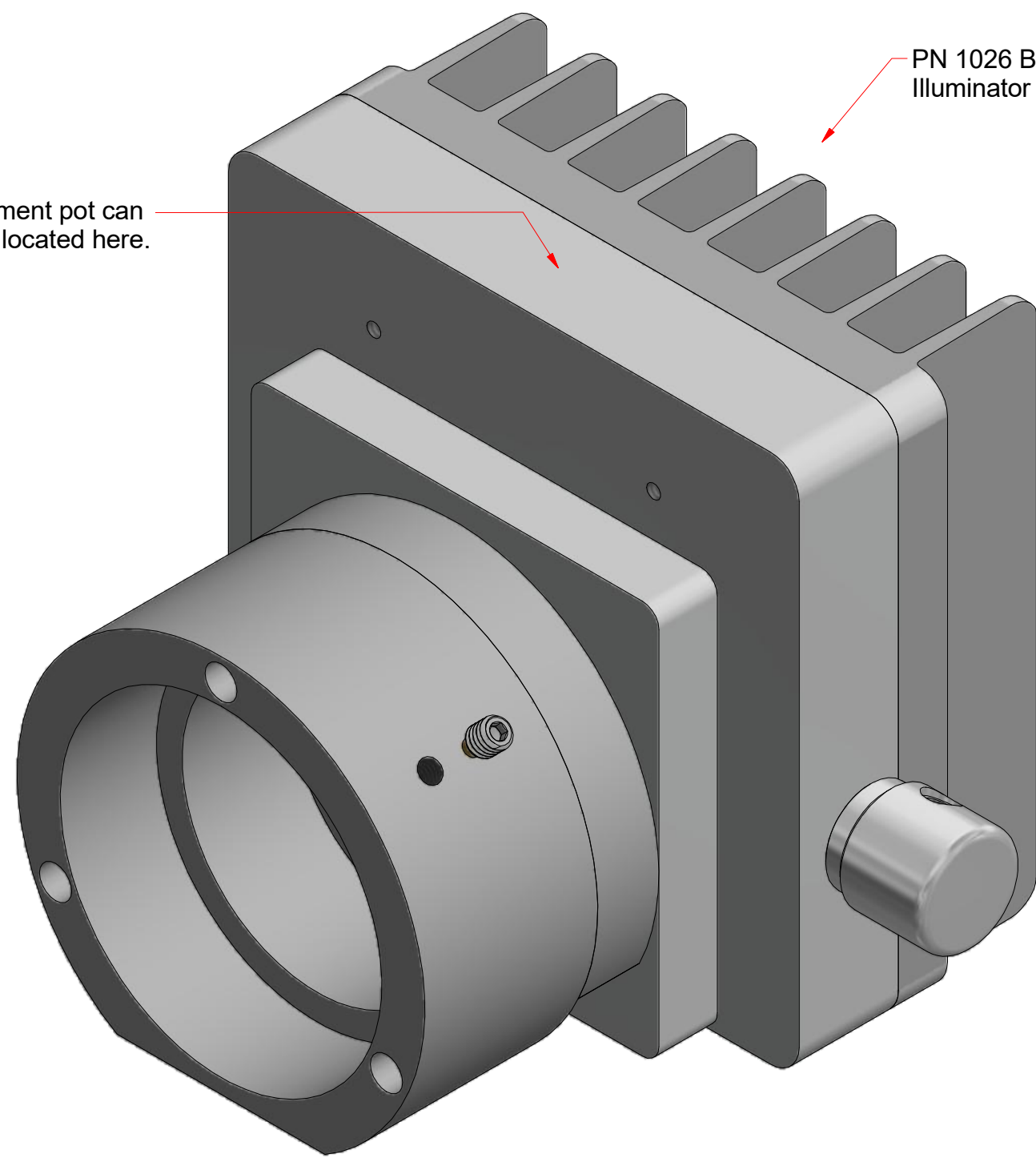
1



Part of microscope.
Not provided by Nanodyne.

Adustment pot can
also be located here.

PN 1026 BH2-UMA
Illuminator Assy



The above photo shows an older model illuminator. The current model is shown in the drawing at right.

Additional Items Included But Not Shown:

PN 10490 Hex Key 5/64 (for 8-32 set screw)

Note that the illuminator mounted adjustment potentiometer is standard on this unit. Ask about a remote adjustment pot if desired. The adjustment may also be located on the top. Specify on the order a top mounted adjustment is wanted.

Power supplies subject to change due to availability and regulations.



PN 11163 Power Supply 5V 2.1A and PN 10734 Power Cable 1.35mm ID/3.5mm OD x USB A 6 ft.

Wayne Bonin		12/22/2018	
PN 11027 BH2-UMA Illuminator System Installation			REV 1
SHEET 1		OF	2

4

3

2

1

BH2-UMA Replacement Illuminator Installation



Step 1. Remove original illuminator from the microscope. Also remove the screw in lens from the microscope. It is not used with the Nanodyne Illuminator.



Step 2. Slip the Nanodyne illuminator over the black round portion of the BH2-UMA port, and secure by tightening the set screw with the 5/64 hex key provided. Connect to the power supply and operate using the intensity adjustment pot on the top or side of the illuminator. The unit is off when the adjustment is turned CCW. There may or may not be a small click in the off position. Do not force it.

Wayne Bonin	12/22/2018
PN 11027 BH2-UMA Illuminator System Installation	REV 1
SHEET 2	OF 2