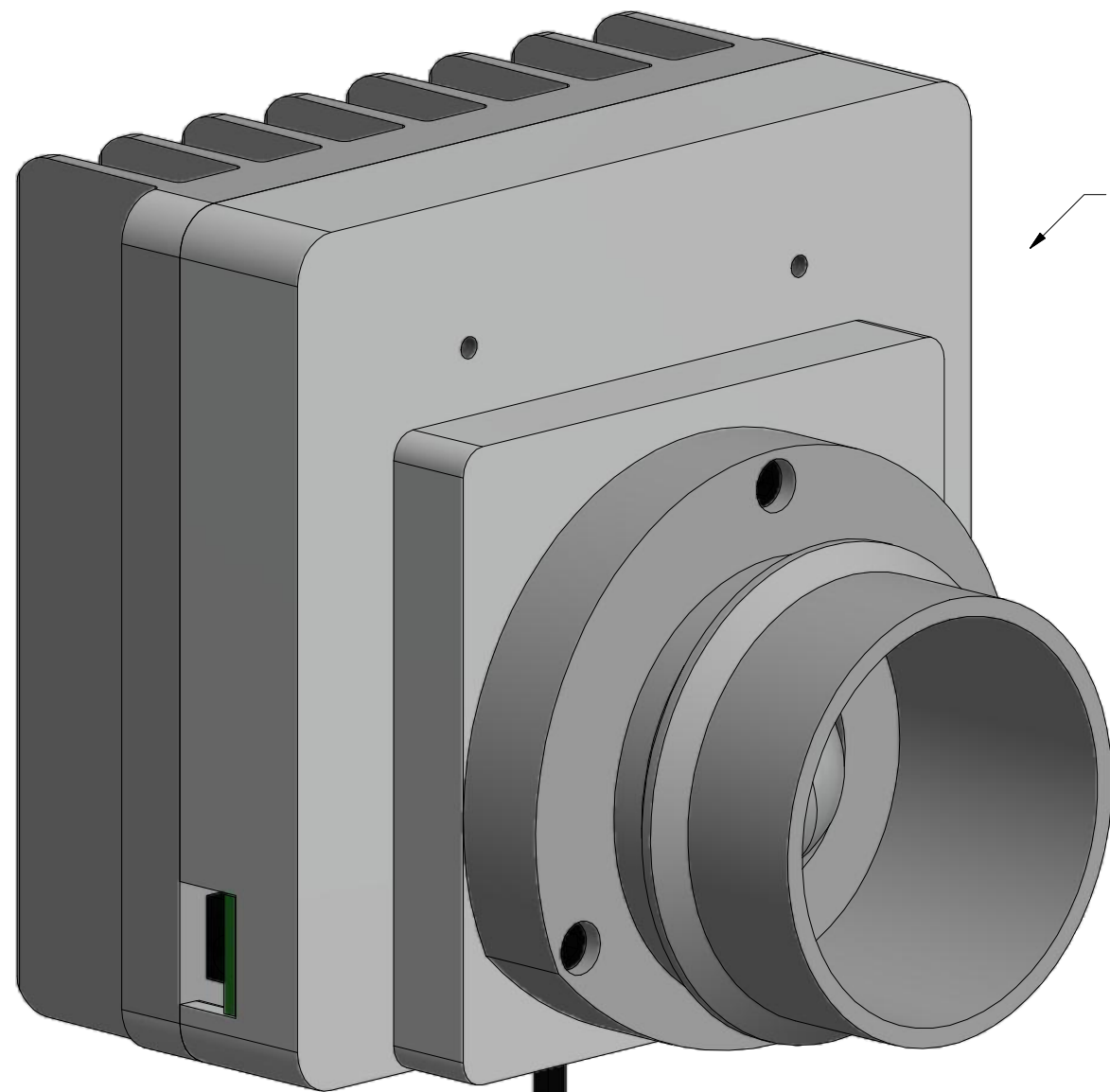


Nanodyne Replacement Illuminator for Leica DMLB 100W - Included Items

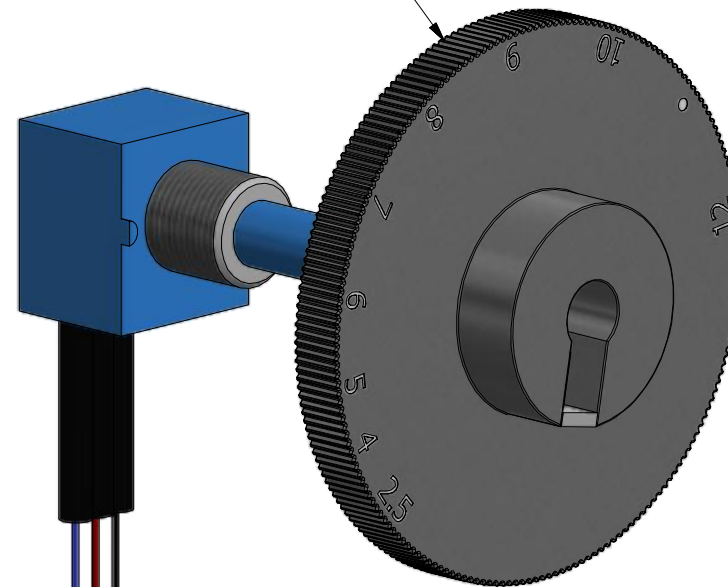
Additional Items Included But Not Shown:

- PN 10456 Hex Key 1.5mm (for pot knob)
- PN 10747 3mm Hex Key for set screw holding lamp housing



PN 10589 Leica DMLB 100W Illuminator Assy

Pot Knob from DMLB 100W (save from original microscope)



PN 10830 Pot-Cable Assy 8 inch (pot with 10mm bushing)



PN 10736 Rubber plug to block unused AC power receptacle.



Tape to secure wires.



PN 11163 Power Supply 5V 2.1A and PN 10734 Power Cable 1.35mm ID/3.5mm OD x USB A 6 ft.

The illuminator may be powered by plugging the cable into the power supply provided, or into a suitable USB port on a computer or other device.

Power supplies are subject to substitution without notice due to availability issues and changes in regulations.

Wayne Bonin	1/29/2019
PN 10746 Leica DMLB 100W Illuminator System	REV 5
SHEET 1 OF 1	