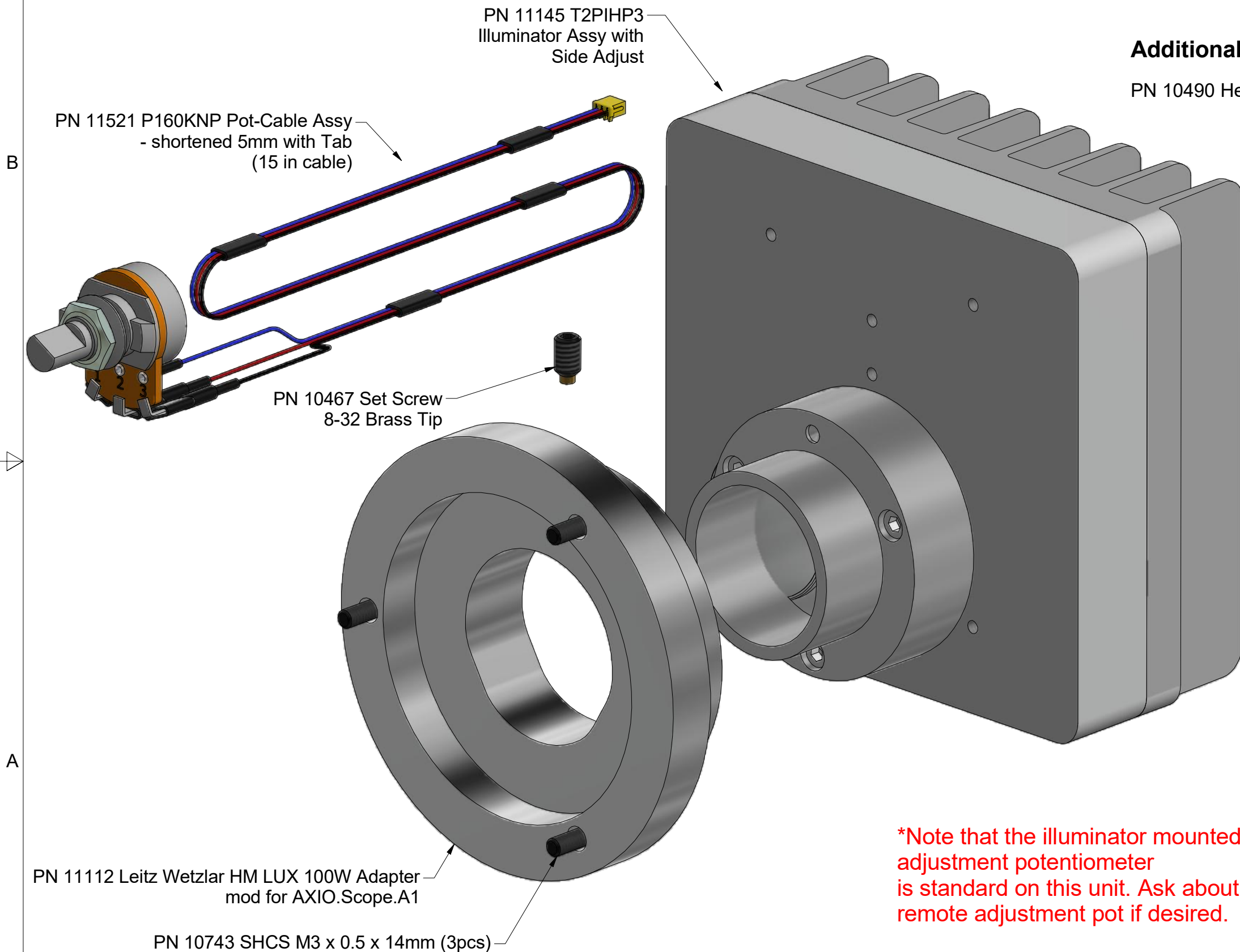


**Nanodyne Replacement Illuminator (High Power) for Zeiss AXIO.Scope.A1 Microscope - Included Items**



PN 11521 P160KNP Pot-Cable Assy  
- shortened 5mm with Tab  
(15 in cable)

PN 11145 T2PIHP3  
Illuminator Assy with  
Side Adjust

PN 10467 Set Screw  
8-32 Brass Tip

PN 11112 Leitz Wetzlar HM LUX 100W Adapter  
mod for AXIO.Scope.A1

PN 10743 SHCS M3 x 0.5 x 14mm (3pcs)

**Additional Items Included But Not Shown:**

PN 10490 Hex Key 5/64 inch (for securing illuminator assembly to adapter)



PN 11163 Power Supply 5V 2.1A and PN 10734 Power Cable 1.35mm ID/3.5mm OD x USB A 6 ft.

The illuminator may be powered by plugging the cable into the power supply provided, or into a suitable USB port on a computer or other device. (USB ports may not provide full output power for high power illuminators)

Power supplies are subject to substitution without notice due to availability issues and changes in regulations.

**\*Note that the illuminator mounted adjustment potentiometer is standard on this unit. Ask about a remote adjustment pot if desired.**

Han-Seung Yang	8/2/2023
PN 12421 Zeiss AXIO.Scope.A1 illuminator System - Remote Pot	REV 2
SHEET 1	OF 1