

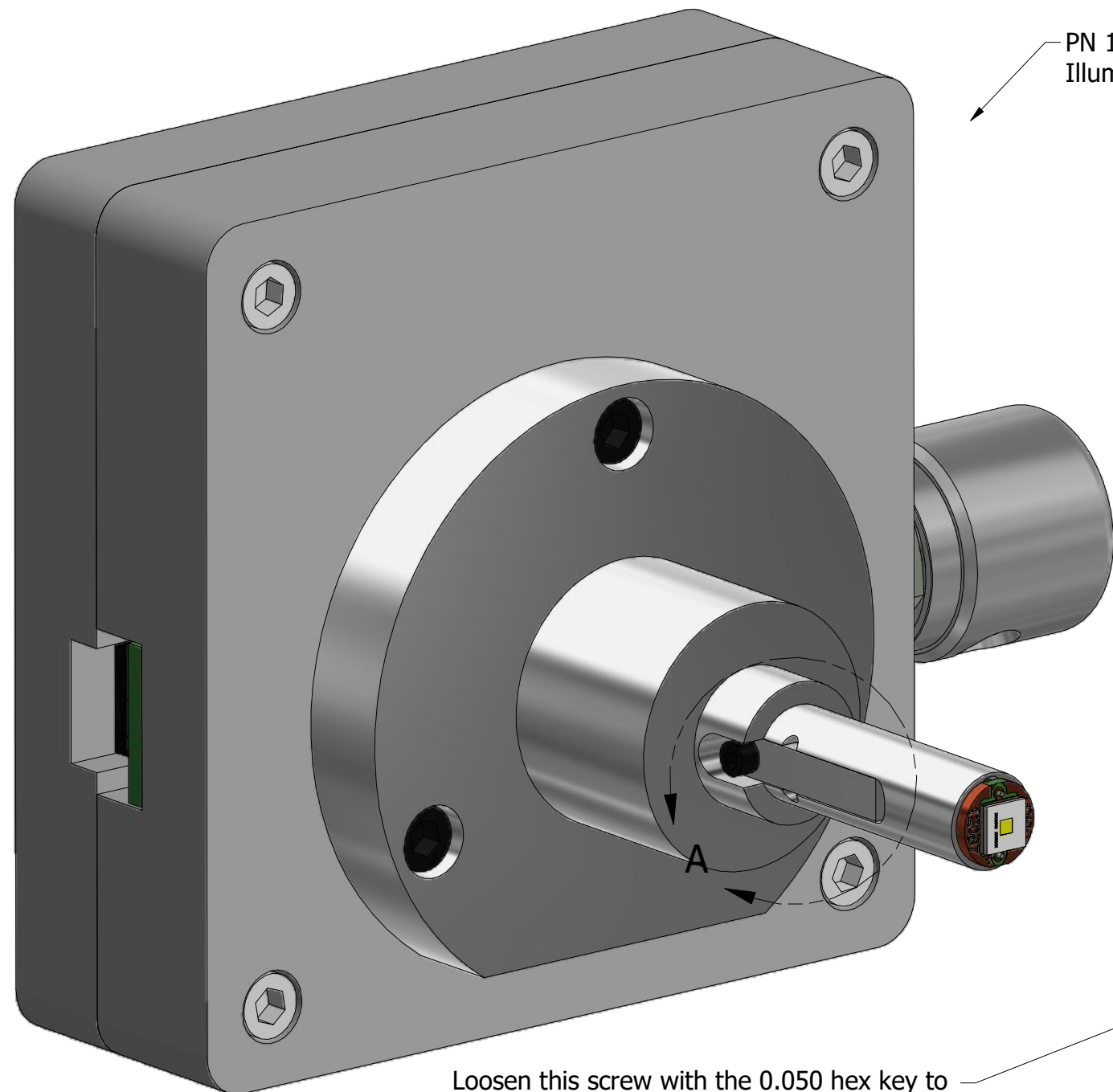
Nanodyne Replacement Illuminator for Zeiss OPMI PICO Surgical Microscope illuminator System: Included Items

Additional Items Included But Not Shown:

PN 10703 Hex Key 0.05 inch short arm (for set screw - to clamp adapter)

Power supplies subject to substitution without notice due to availability issues and changes in regulations.

The illuminator may be powered by plugging the cable into the power supply provided, or into a suitable USB port on a computer or other device.



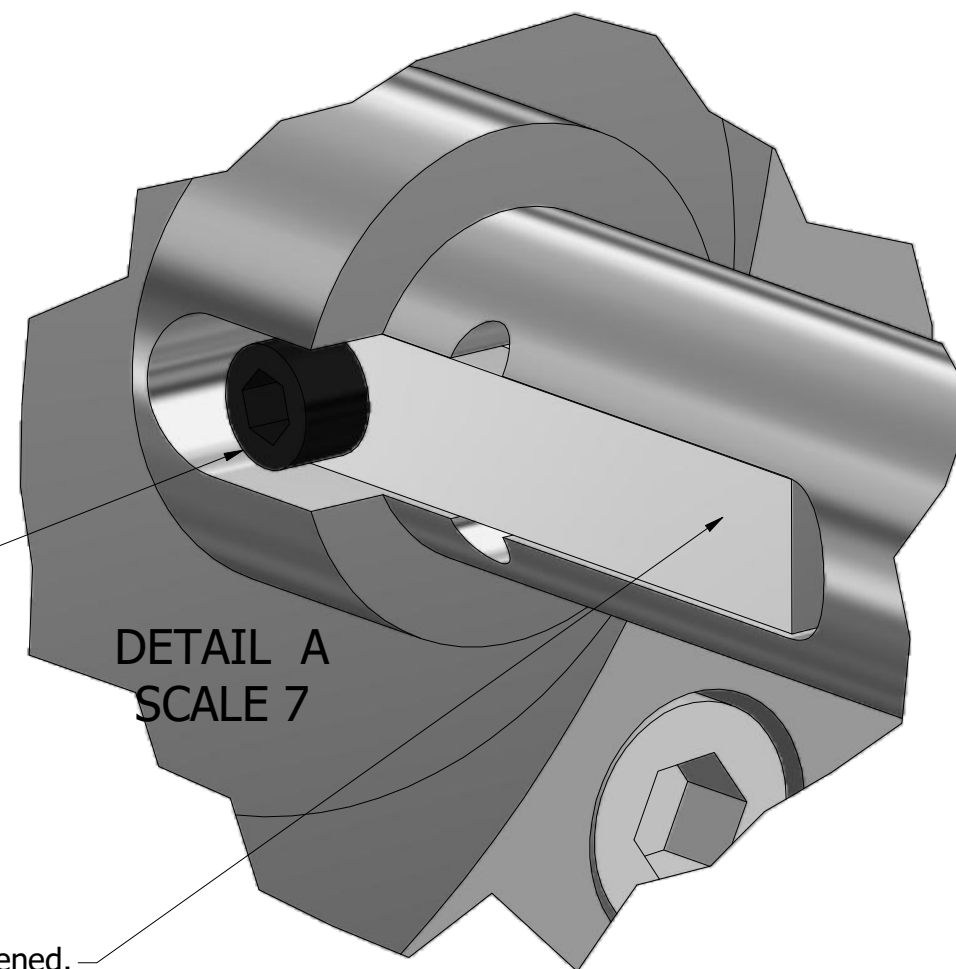
PN 12083 Zeiss OPMI PICO Illuminator Assembly



PN 10733 Power Supply - XP Power 5V 1A and PN 10734 Cable Assy 1.35mm ID x 3.5mm OD RA plug to USB A, 6 foot.



PN 11000 Power Cord Extension 1.35mm ID x 3.5mm OD RA plug to jack 6 foot. (use if needed for more length)



Loosen this screw with the 0.050 hex key to remove protective cover tube (not shown)

Tighten the screw after inserting the LED end into the fiber optic port on the microscope, and adjusting the insertion depth for best lighting.

Be careful to insert gently in case the LED might hit something inside the microscope. (production units will have a small aluminum lip protecting the LED and/or the length of the aluminum rod holding the LED will be shorter so insertion depth is limited)

Lever secures unit in place when screw is tightened.

| | | |
|---------------------------------------------|--|-----------|
| Han-Seung Yang | | 11/2/2022 |
| PN 12034 Zeiss OPMI PICO Illuminator System | | REV 3 |
| SHEET 1 | | OF 1 |