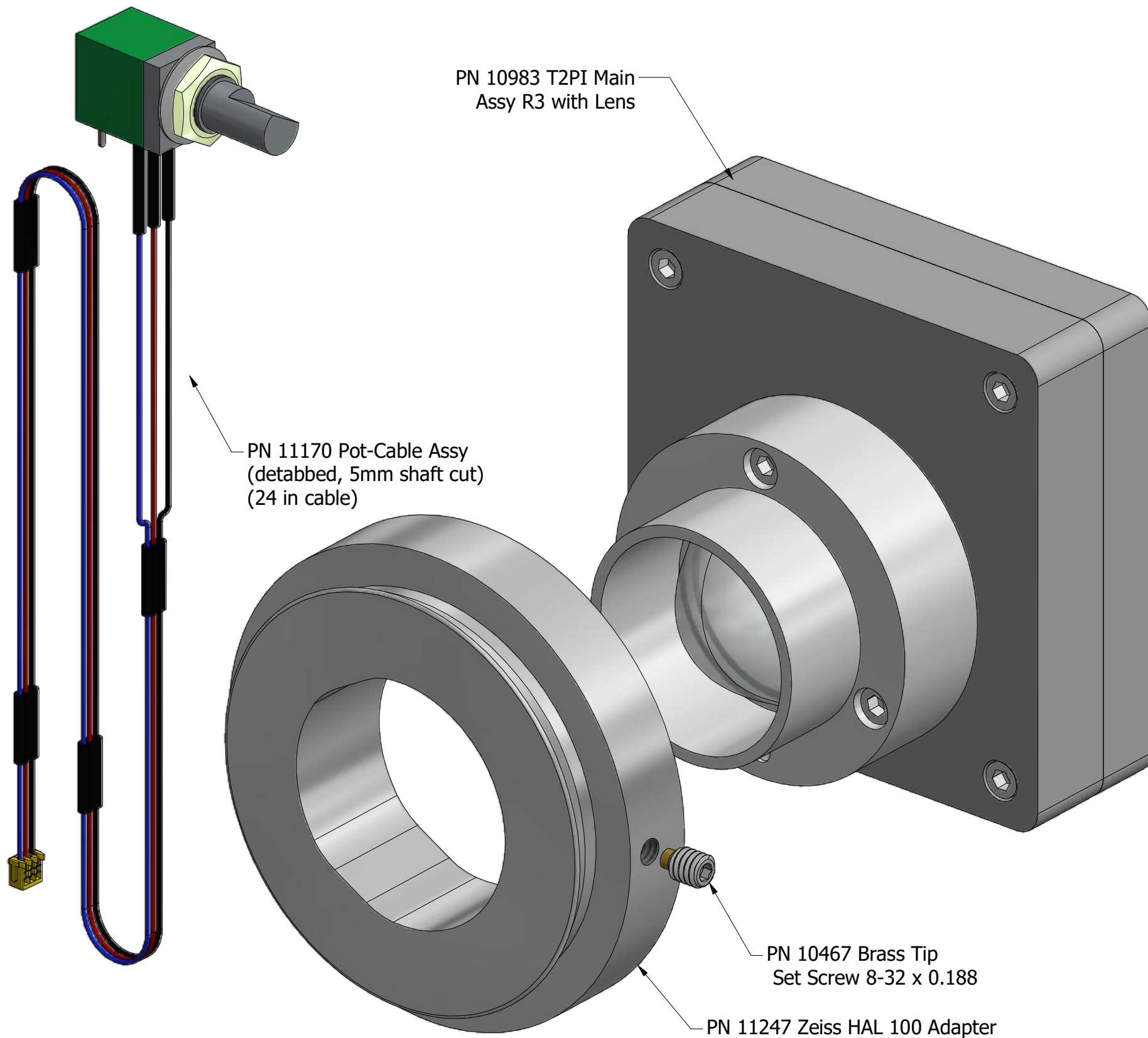


Nanodyne Replacement Illuminator for Zeiss Axiovert 25/40 MAT Microscope: Included Items



PN 10983 T2PI Main Assy R3 with Lens

PN 11170 Pot-Cable Assy (detabbed, 5mm shaft cut) (24 in cable)

PN 10467 Brass Tip Set Screw 8-32 x 0.188

PN 11247 Zeiss HAL 100 Adapter

Additional Items Included But Not Shown:

PN 10490 Hex Key 5/64 inch for set screw



PN 10733 Power Supply - XP Power 5V 1A Fixed Blade US Input/USB Output and PN 10734 Cable Assy 1.35mm ID x 3.5mm OD RA plug to USB A, 6 foot.

The illuminator may be powered by plugging the cable into the power supply provided, or into a suitable USB port on a computer or other device.

Power supplies are subject to substitution without notice due to availability issues and changes in regulations.

Han-Seung Yang	1/6/2021
PN 11909 Zeiss Axiovert 25-40 MAT Illuminator System	REV 1
SHEET 1 OF 1	