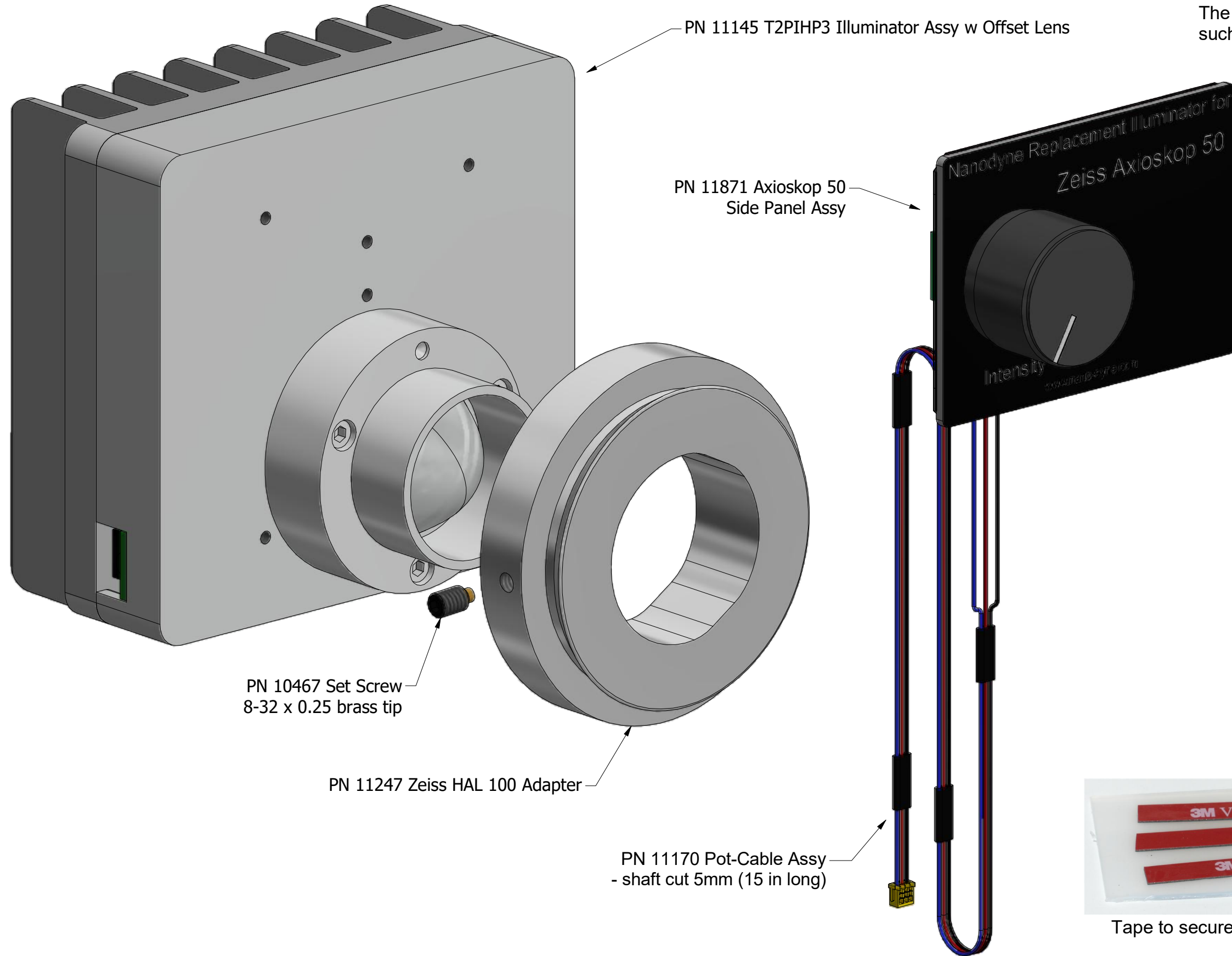


Nanodyne Replacement Illuminator for Zeiss Axioskop 50 Microscope: Included Items

The installer will need to provide common hand tools such as screwdrivers, pliers and wire cutters.



PN 11163 Power Supply 5V 2.1A and
PN 10734 Power Cable 1.35mm
ID/3.5mm OD x USB A 6 ft.

The illuminator may be powered by plugging the cable into the power supply provided, or into a suitable USB port on a computer or other device.

Power supplies are subject to substitution without notice due to availability issues and changes in regulations.



PN 10736 Rubber plug to block
unused AC power receptacle.



Tape to secure wires.

Han-Seung Yang 1/14/2021		REV
PN 11865 Zeiss Axioskop 50 illuminator System (high power)		1
SHEET 1 OF 1		