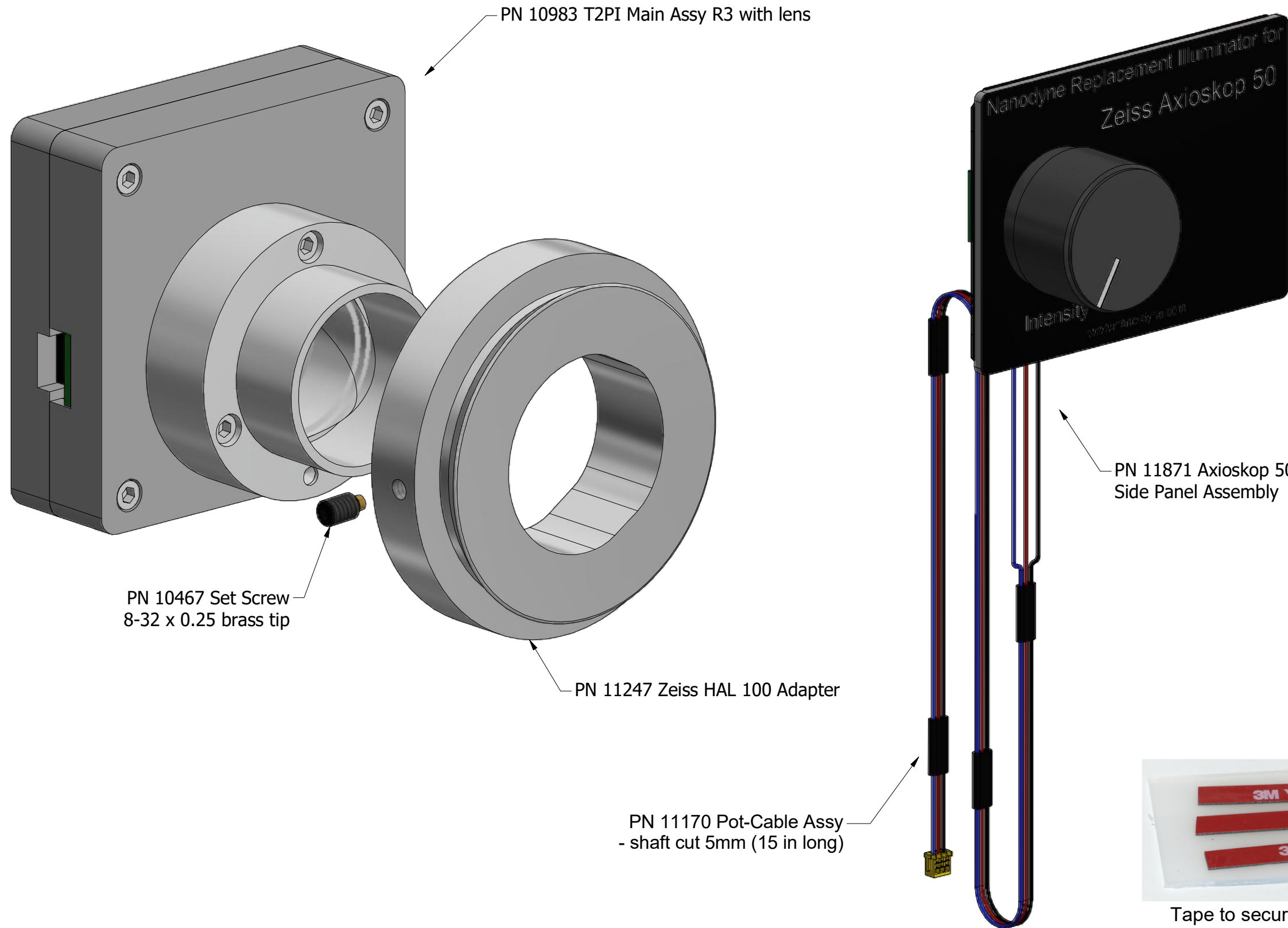


Nanodyne Replacement Illuminator for Zeiss Axioskop 50 Microscope: Included Items

The installer will need to provide common hand tools such as screwdrivers, pliers and wire cutters.



PN 10733 Power Supply - XP Power 5V 1A and PN 10734 Cable Assy 1.35mm ID x 3.5mm OD RA plug to USB A, 6 foot.

The illuminator may be powered by plugging the cable into the power supply provided, or into a suitable USB port on a computer or other device.

Power supplies are subject to substitution without notice due to availability issues and changes in regulations.



PN 10736 Rubber plug to block unused AC power receptacle.



Tape to secure wires.

Han-Seung Yang 1/14/2021		REV
PN 11864 Zeiss Axioskop 50 illuminator System (low power)		1
SHEET 1 OF 1		