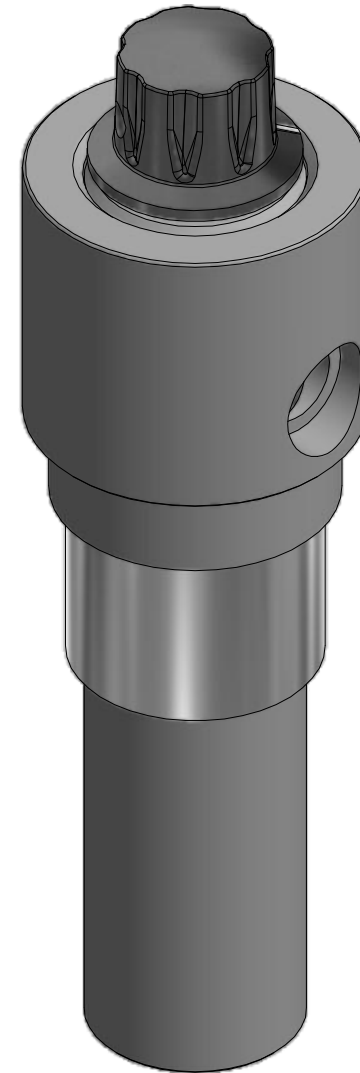


Nanodyne Replacement Illuminator for Zeiss Amplival Microscope: Included Items



This illuminator replaces the original light shown above (red circle).



PN 11574 Zeiss Amplival Illuminator Assembly



PN 10733 Power Supply - XP Power 5V 1A and PN 10734 Cable Assy 1.35mm ID x 3.5mm OD RA plug to USB A, 6 foot.



PN 11000 Power Cord Extension 1.35mm ID x 3.5mm OD RA plug to jack 6 foot. (use if needed for more length)

The illuminator may be powered by plugging the cable into the power supply provided, or into a suitable USB port on a computer or other device.

Power supplies subject to substitution without notice due to availability issues and changes in regulations.

Han-Seung Yang	4/3/2020	
PN 11728 Zeiss Amplival Illuminator System		REV 1
	SHEET 1	OF 1