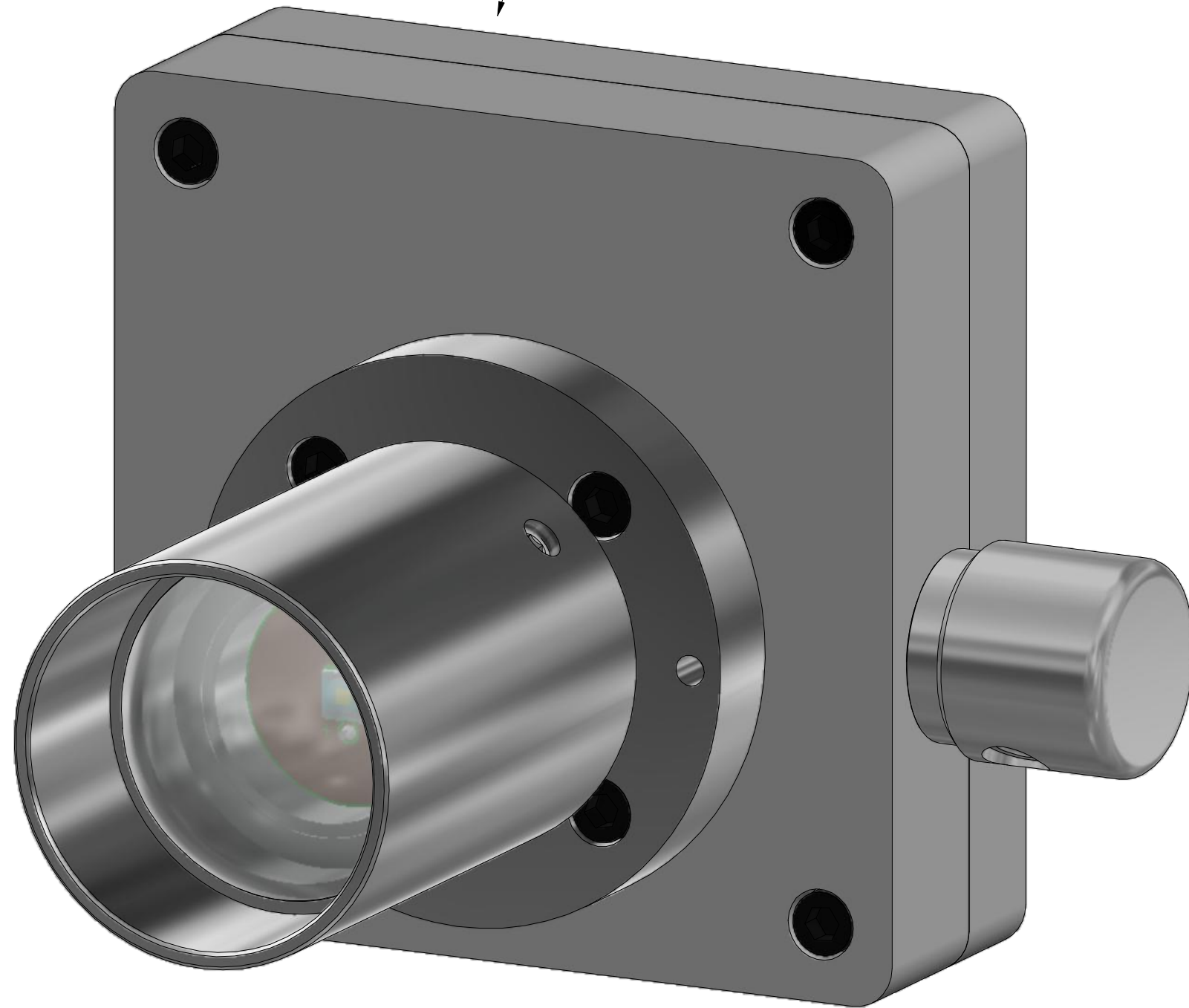


Nanodyne Replacement Illuminator for Zeiss OPMI 1-FC Surgical Microscope illuminator System: Included Items

Additional Items Included But Not Shown:

- PN 10546 Hex Key 1.5mm (to remove fiber cable from microscope and attach Nanodyne illuminator)
- PN 10490 Hex Key 5/64 Short Arm (for set screw in illuminator - to adjust focus)

PN 11654 Zeiss OPMI 1-FC illuminator Assembly



The illuminator may be powered by plugging the cable into the power supply provided, or into a suitable USB port on a computer or other device.



PN 10733 Power Supply - XP Power 5V 1A and PN 10734 Cable Assy 1.35mm ID x 3.5mm OD RA plug to USB A, 6 foot.



PN 11000 Power Cord Extension 1.35mm ID x 3.5mm OD RA plug to jack 6 foot. (use if needed for more length)

Power supplies subject to substitution without notice due to availability issues and changes in regulations.

Wayne Bonin	3/15/2020
PN 11669 Zeiss OPMI 1-FC Illuminator System	REV 1
SHEET 1 OF 1	