

Nanodyne Replacement Illuminator for Zeiss OPMI-1 Surgical Microscope with Black OEM Illuminator Housing: Included Items

Additional Items Included But Not Shown:
 PN 10490 Hex Key 5/64 Short Arm (for set screw)

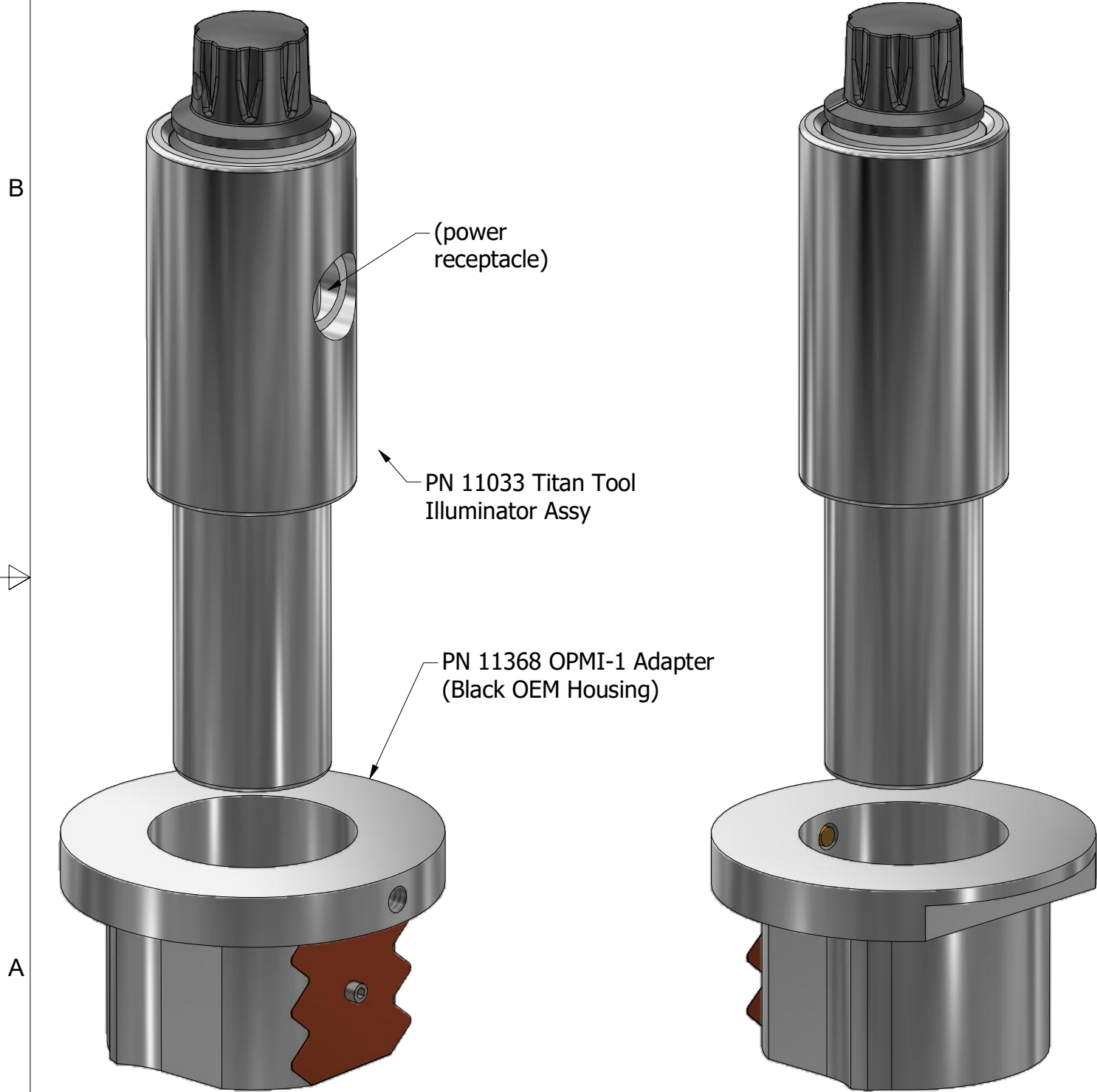


Photo of OEM illuminator at left.
 If this is the illuminator you have on your microscope, our illuminator PN 11302 shown here is what you need.
 If your OEM illuminator has a grey housing you need our PN 11259 illuminator.
 Contact us if you have any questions.



PN 10733 Power Supply - XP Power 5V 1A and PN 10734 Cable Assy 1.35mm ID x 3.5mm OD RA plug to USB A, 6 foot.



PN 11000 Power Cord Extension 1.35mm ID x 3.5mm OD RA plug to jack 6 foot. (use if needed for more length)

The illuminator may be powered by plugging the cable into the power supply provided, or into a suitable USB port on a computer or other device.

Power supplies subject to substitution without notice due to availability issues and changes in regulations.

Wayne Bonin	4/9/2019
PN 11302 Zeiss OPMI-1 Surgical Scope Illuminator System - Black	REV 3
SHEET 1 OF 1	