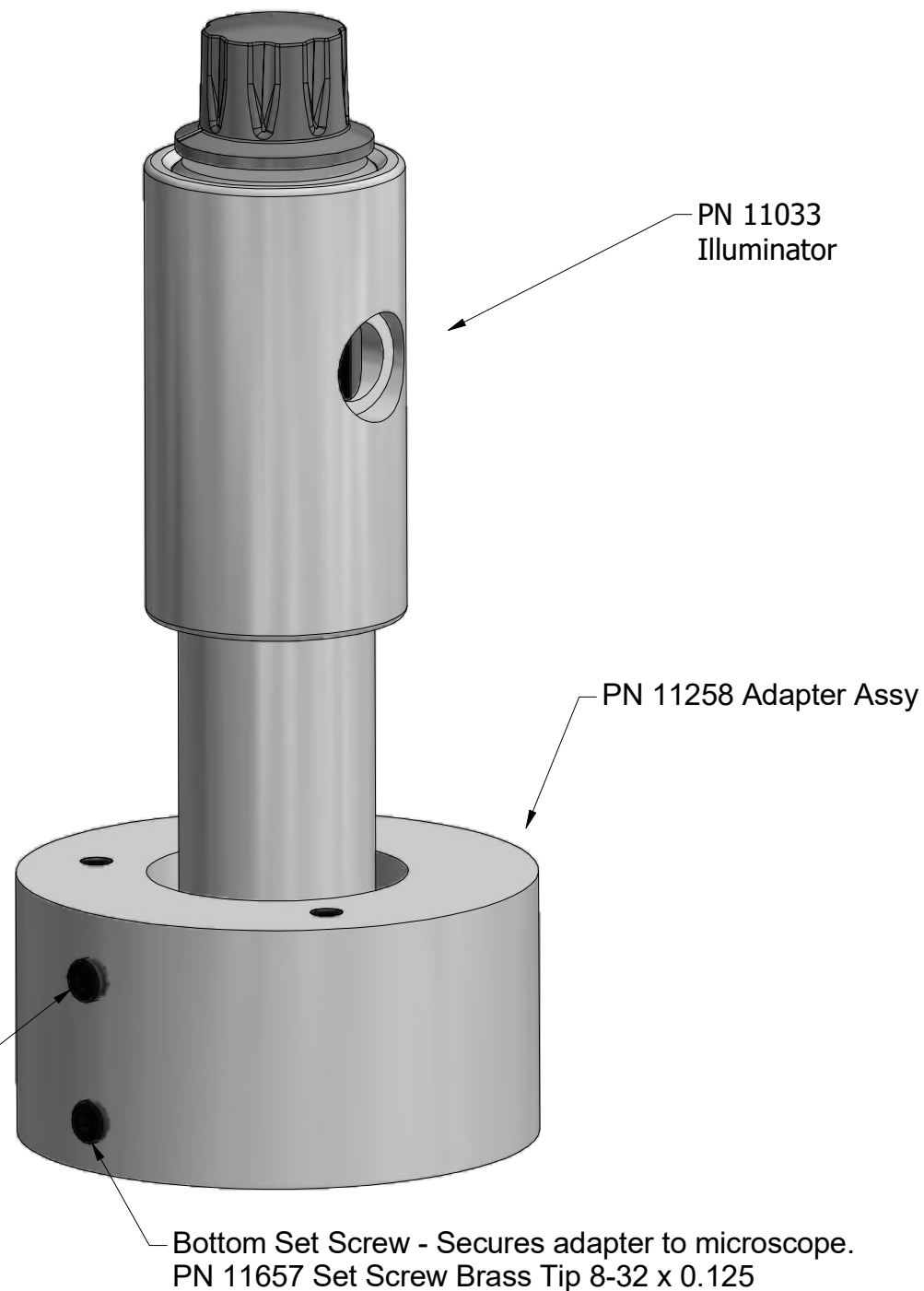


Nanodyne Replacement Illuminator for Zeiss OPMI-1 Surgical Microscope with Grey Lamp Housing: Included Items



This illuminator, PN 11259, works with the grey OEM lamp housing shown above. If your lamp housing is black, see PN 11302.

Top Set Screw - Secures illuminator to adapter.
PN 10467 Set Screw 8-32 x 0.25 brass tip



Additional Items Included But Not Shown:
PN 10490 Hex Key 5/64 Short Arm (for set screws)



PN 10733 Power Supply - XP Power 5V 1A and PN 10734 Cable Assy 1.35mm ID x 3.5mm OD RA plug to USB A, 6 foot.



PN 11000 Power Cord Extension 1.35mm ID x 3.5mm OD RA plug to jack 6 foot. (use if needed for more length)

The illuminator may be powered by plugging the cable into the power supply provided, or into a suitable USB port on a computer or other device.

Power supplies subject to substitution without notice due to availability issues and changes in regulations.

Wayne Bonin	12/5/2021
PN 11259 Zeiss OPMI-1 (Gray) Illuminator System	REV 5
SHEET 1 OF 1	