

Nanodyne Replacement Illuminator for Zeiss OPMI-1 Surgical Microscope with Grey Lamp Housing, Installation Instructions: Included Items



This illuminator, PN 11259, works with the grey OEM lamp housing shown above. If your lamp housing is black, see PN 11302.

Additional Items Included But Not Shown:
PN 10490 Hex Key 5/64 Short Arm (for set screw)



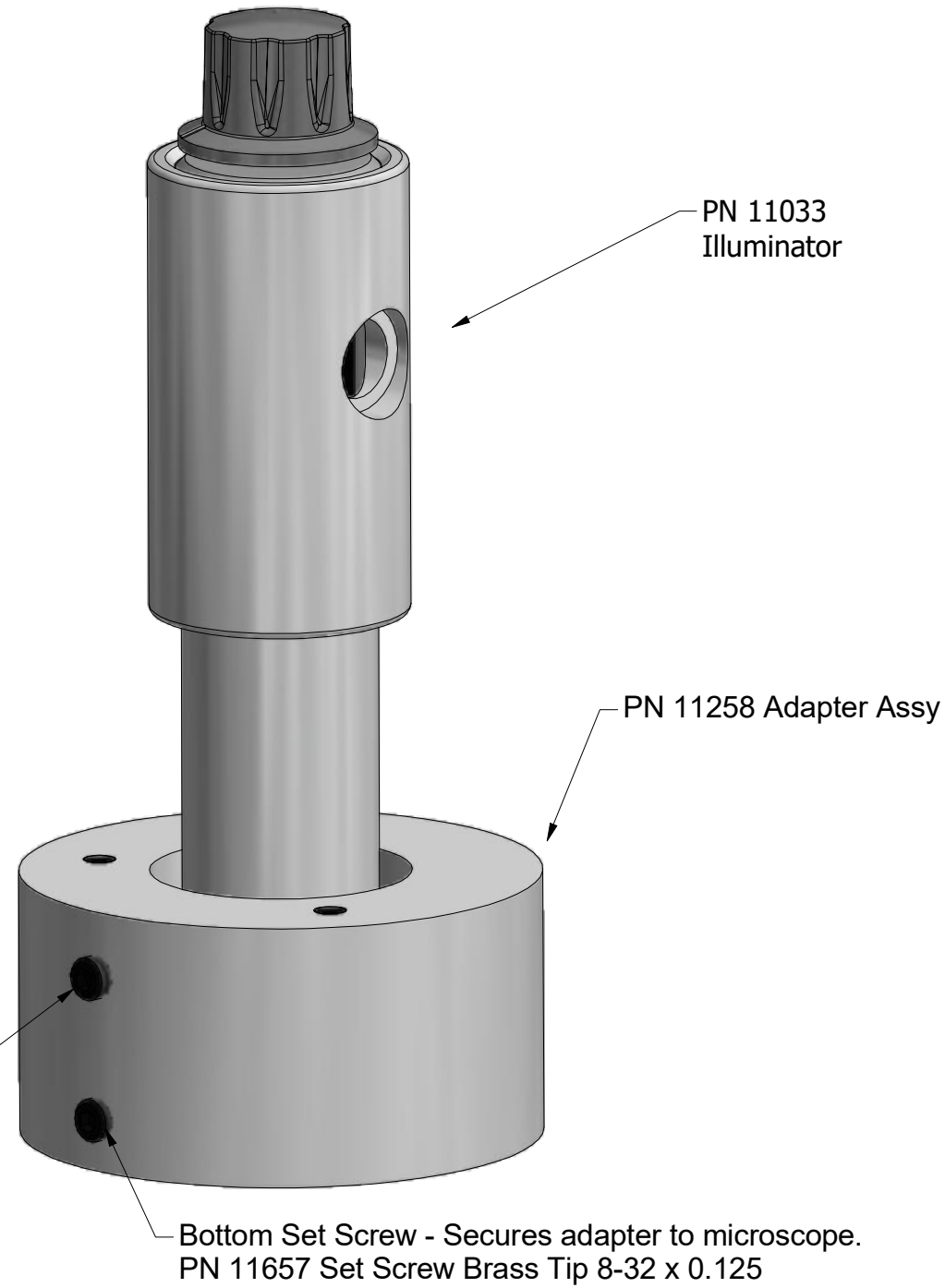
PN 10733 Power Supply - XP Power 5V 1A and PN 10734 Cable Assy 1.35mm ID x 3.5mm OD RA plug to USB A, 6 foot.



PN 11000 Power Cord Extension 1.35mm ID x 3.5mm OD RA plug to jack 6 foot. (use if needed for more length)

The illuminator may be powered by plugging the cable into the power supply provided, or into a suitable USB port on a computer or other device.

Power supplies subject to substitution without notice due to availability issues and changes in regulations.



Han-Seung Yang		1/28/2022
PN 11259 Zeiss OPMI-1 (Gray) Illuminator System - Installation Instruction		REV 5
SHEET 1 OF 4		

Nanodyne Replacement Illuminator for Zeiss OPMI-1 Surgical Microscope with Grey Lamp Housing, Installation Instructions: Step 1. Remove Old Lamp Housing



(1) Original lamphouse (red circle).



(2) Twist and remove cover.



(3) Lamphouse cover removed.



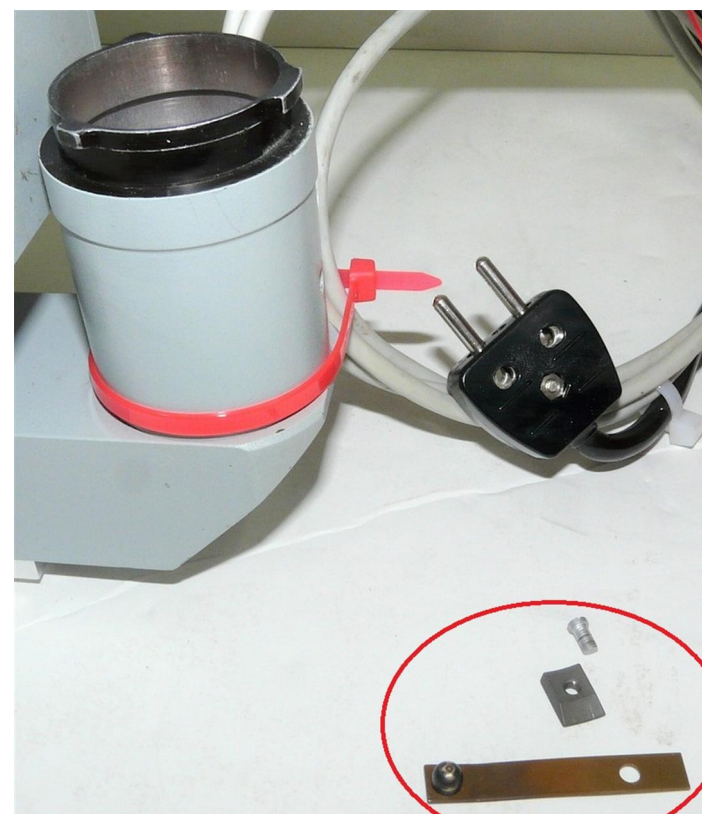
(4) Remove this screw.



(5) Remove the nut the screw was in.



(6) Remove the spring/ball latch.



(7) Be sure these three items are removed from the lamp housing.

NOTE - We recommend removing all of the original wiring as it is not used by our new illuminator.

This was not done for these pictures because the customer wanted to keep the old wiring in place.

Han-Seung Yang	1/28/2022
PN 11259 Zeiss OPMI-1 (Gray) Illuminator System - Installation Instruction	REV 5
SHEET 2 OF 4	

Nanodyne Replacement Illuminator for Zeiss OPMI-1 Surgical Microscope with Grey Lamp Housing, Installation Instructions: Step 2. Install Nanodyne Illuminator



(1) Insert the Nanodyne adapter into the lamp housing.



(2) Tighten set screw to install Nanodyne adapter over the lamp housing using a hex key provided.



(3) Insert the Nanodyne illuminator into the adapter.



(4) Nanodyne illuminator fully inserted.

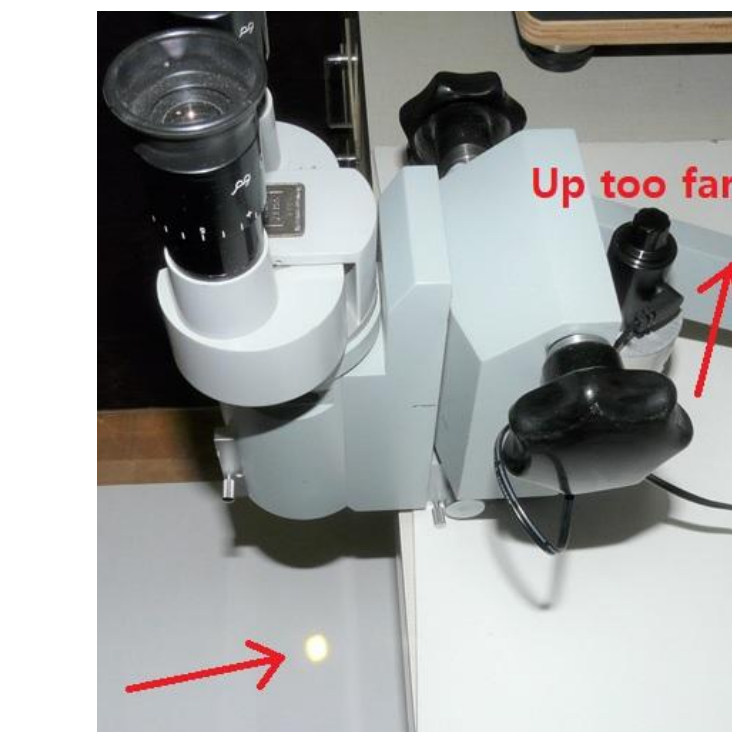
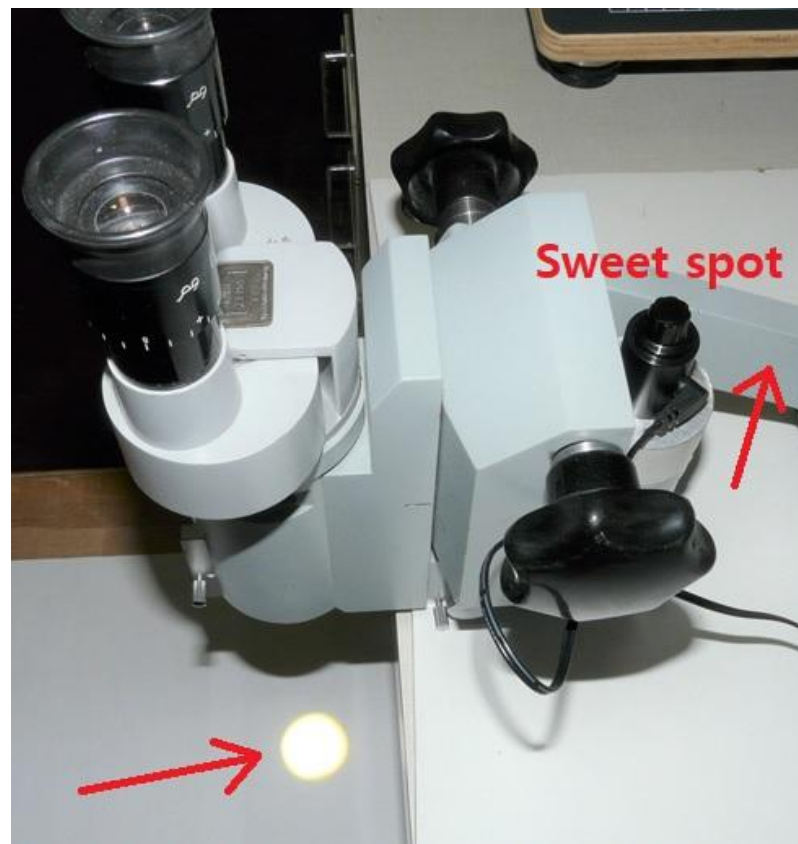
Han-Seung Yang		1/28/2022	
PN 11259 Zeiss OPMI-1 (Gray) Illuminator System - Installation Instruction		REV	5
SHEET 3		OF	4

Nanodyne Replacement Illuminator for Zeiss OPMI-1 Surgical Microscope with Grey Lamp Housing, Installation Instructions: Step 3. Connect Power Supply, Adjust Focus



Example (1) All the way down, slit light.

Example (2) Little higher, oval shape.



Example (3) Found sweet spot, well focused circle.

Example (4) If pull up too far, light is out-focused.

(1) Set up the microscope so it is focused on a flat surface. Plug the USB end of the power cord into the power supply. Plug the other end into the illuminator. Plug the power supply into an AC outlet.

(2) Adjust the position of the illuminator up and down slightly to find the best position. Either set it to form a crisp well focused circle when the microscope is focused on that surface, or see what looks best through the eyepieces.

(3) Lock the illuminator into the best position with the hex key. It is now ready to operate.

The illuminator is fully off when the knob is counter clock wise. There is no click. Do not force it.

Han-Seung Yang 1/28/2022

PN 11259 Zeiss OPMI-1 (Gray) Illuminator System - Installation Instruction

REV 5