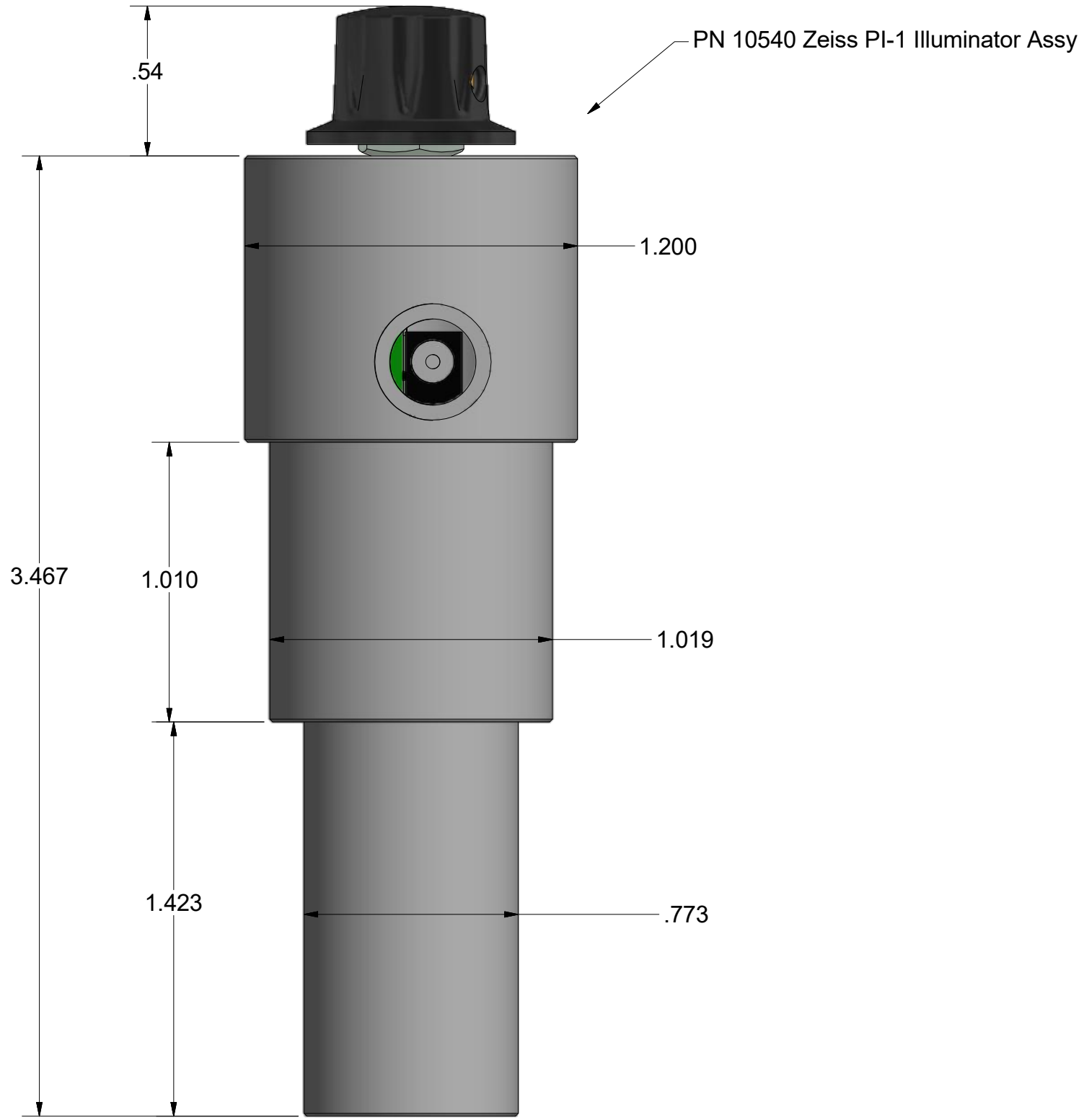


Nanodyne Replacement Illuminator for Zeiss Port Illuminator - Included Items



PN 10733 Power Supply - XP Power 5V 1A and PN 10734 Cable Assy 1.35mm ID x 3.5mm OD RA plug to USB A, 6 foot.

The illuminator may be powered by plugging the cable into the power supply provided, or into a suitable USB port on a computer or other device.

Power supplies subject to substitution without notice due to availability issues and changes in regulations.

All dimensions in inches

Wayne Bonin	3/14/2019
PN 10576 Zeiss PI-1 Illuminator System	REV 3
SHEET 1	OF 1