

Nanodyne Replacement Illuminator for Zeiss Standard Microscope - Included Items

Additional Items Included But Not Shown:

PN 10457 Hex Key 2.5mm (for M3 mounting screws)
 PN 11309 Hex Key 1/16 inch (for pot knob)



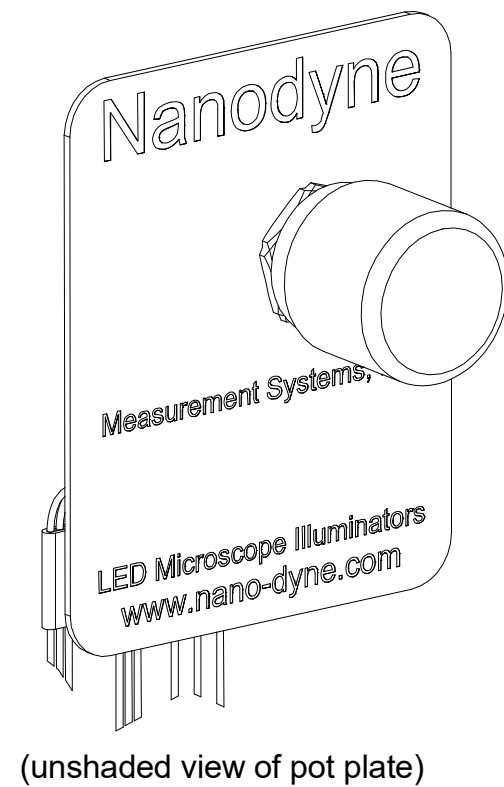
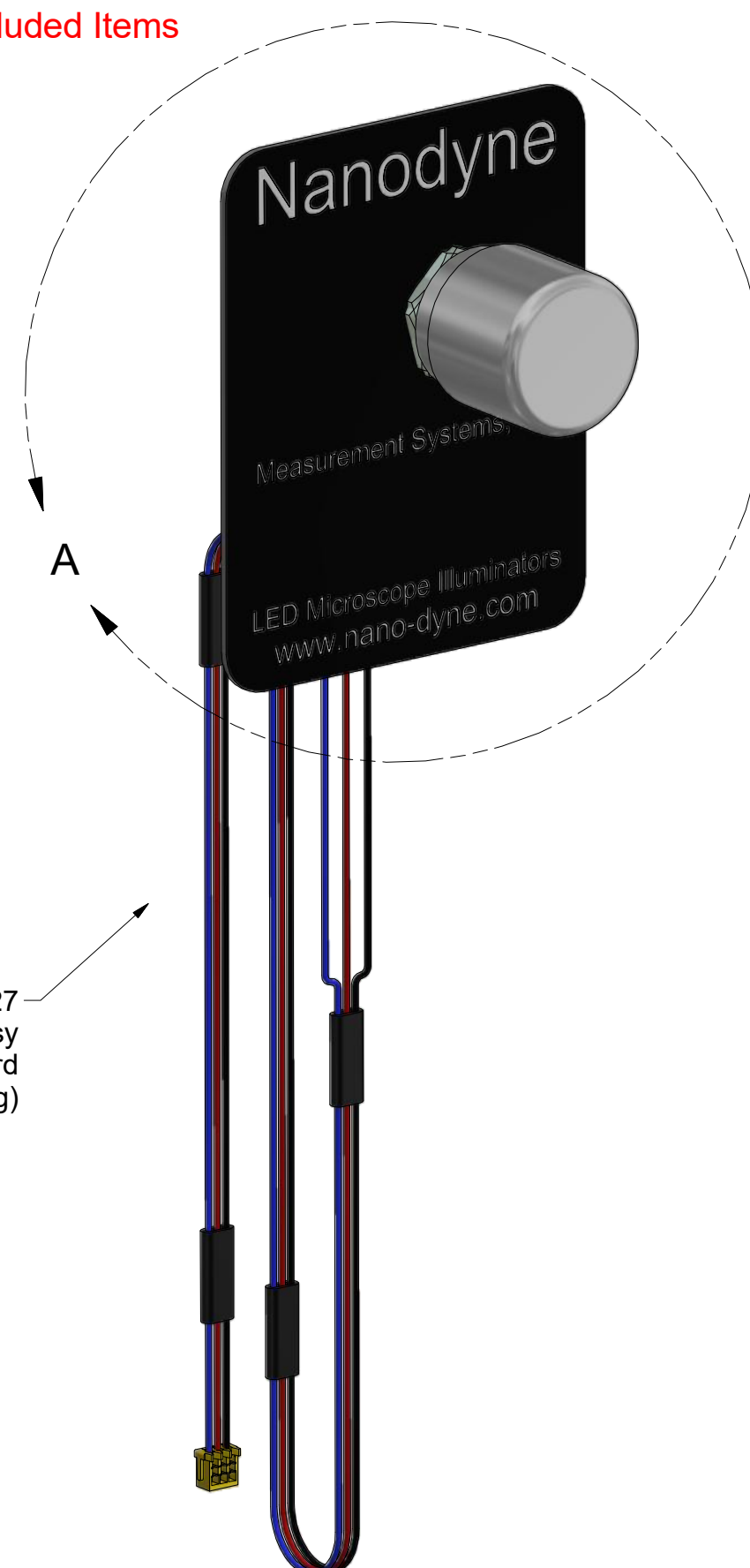
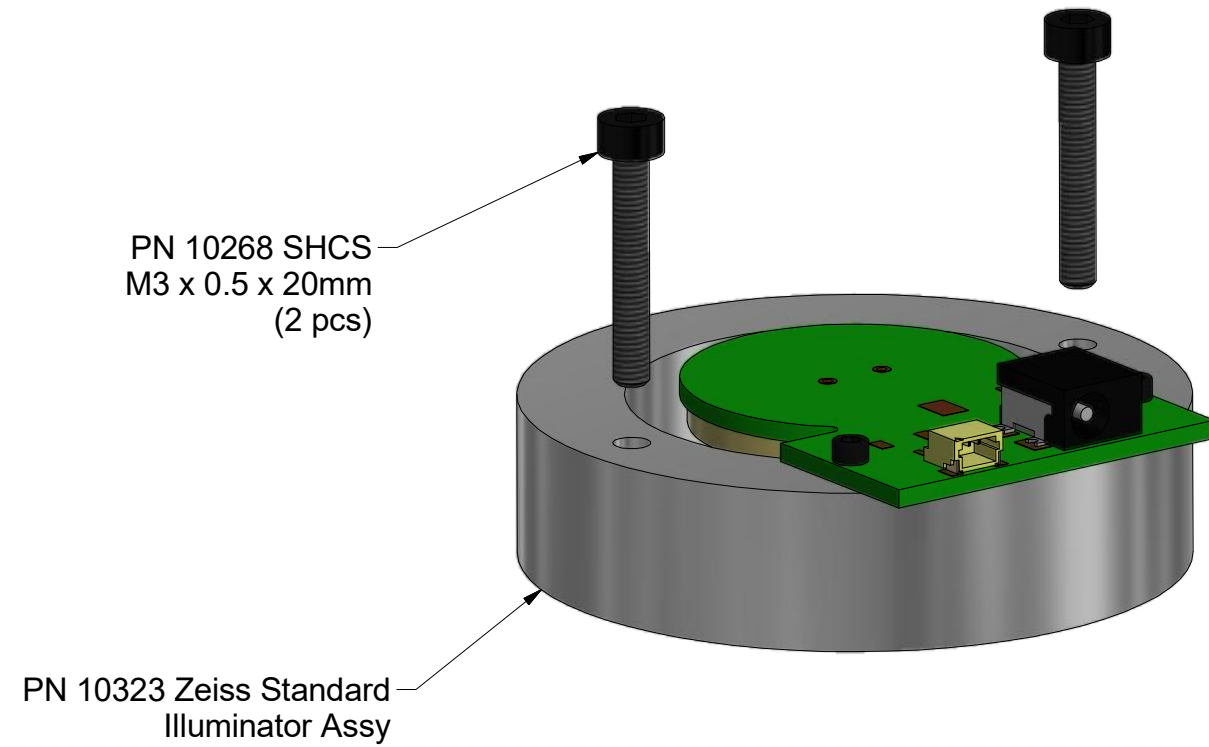
PN 10733 Power Supply - XP Power 5V 1A and PN 10734 Cable Assy 1.35mm ID x 3.5mm OD RA plug to USB A, 6 foot.

The illuminator may be powered by plugging the cable into the power supply provided, or into a suitable USB port on a computer or other device.

Power supplies are subject to substitution without notice due to availability issues and changes in regulations.



Tape to secure wires.



Wayne Bonin	4/5/2019	
PN 10495 Zeiss Standard Illuminator System		REV 3
SHEET 1 OF 1		