

Nanodyne Replacement Illuminator for Wallach ZoomScope Colposcope - Included Items

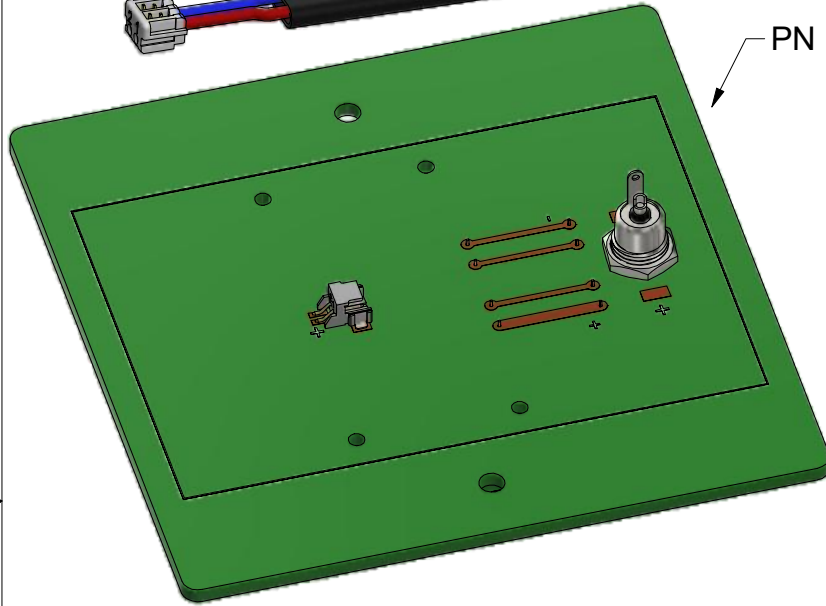
Additional Items Included But Not Shown:

PN 11827 Power Cable - illuminator to Battery Module
(not to scale - 48 inch long)

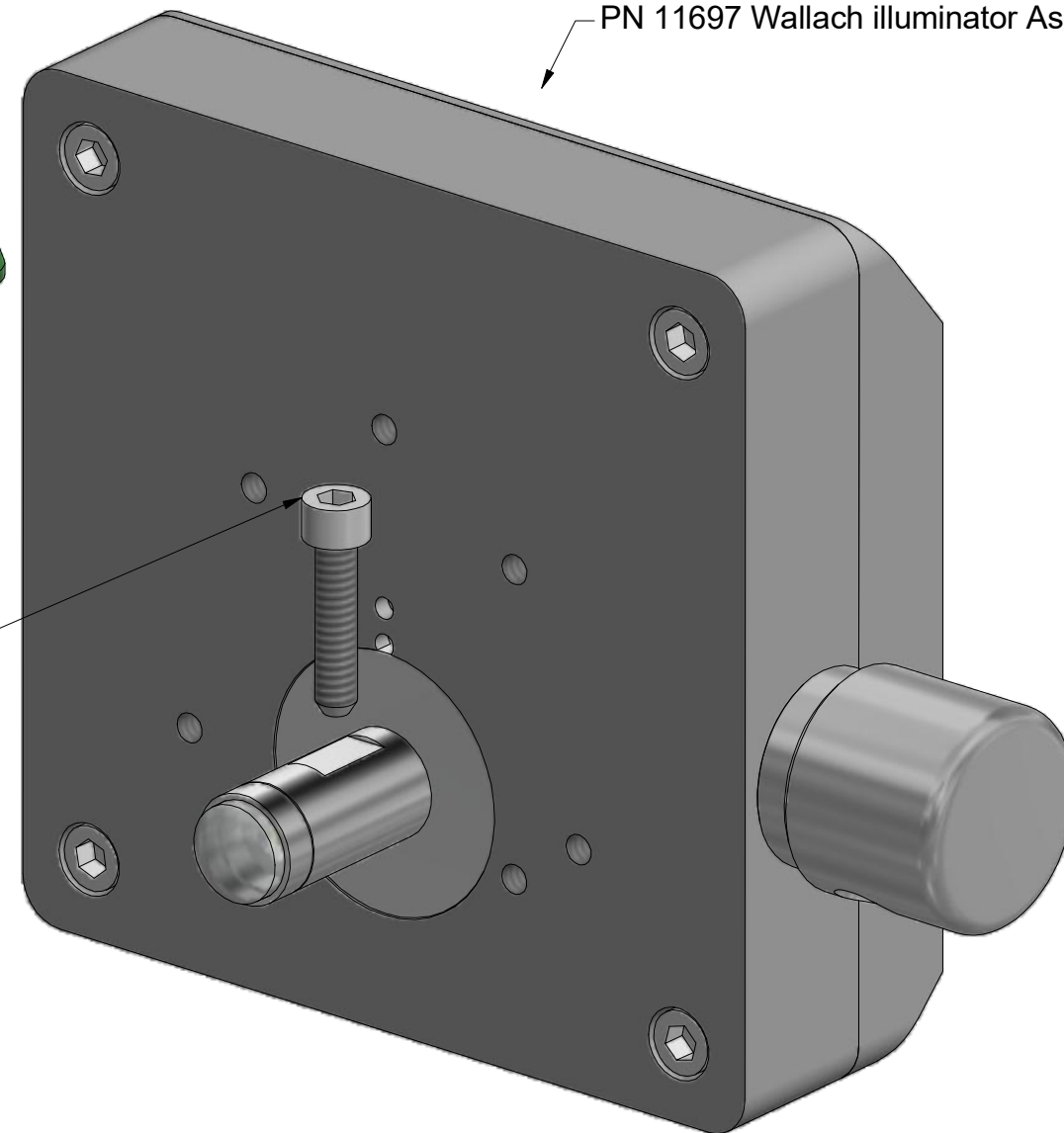
- PN 10703 Hex Key 0.050 in.
- PN 11309 Hex Key 1/16 Short arm
- PN 10490 Hex Key 5/64 Short Arm
- PN 10709 Hex Key 3/32 Short Arm
- PN 11564 Hex Key 7/64 Long Arm
- PN 11721 Hex Key 1/8 Short Arm

Measured maximum light output (at 12 inches):

OEM Halogen unit 50W 480 fc
Nanodyne LED unit 4.3W 3270 fc



PN 11746 Wallach Power Module



PN 11697 Wallach illuminator Assy

PN 11711 Set
Screw 4-40 Socket
Head Custom Tip



PN 11746 Wallach Power Module with Battery (optional add-on with additional cost)



PN 11700 Power Supply - Tri-Mag 18V 660mA Fixed Blade US Input 1.35mm ID x 3.5mm OD RA plug output, 6 foot.



Battery charger (optional add-on with additional cost)



PN 11000 Power Cord Extension 1.35mm ID x 3.5mm OD RA plug to jack 6 foot. (use if needed for more length)

***Note:**

The DC power supply (PN 11700) is included with all Wallach illuminators.

The battery system provides cord free operation at full power for about 20 hours. It is available at additional cost.

Power supplies subject to substitution without notice due to availability issues and changes in regulations.

Wayne Bonin	5/23/2022
PN 11698 Wallach illuminator Assy	REV 1
SHEET 1	OF 1