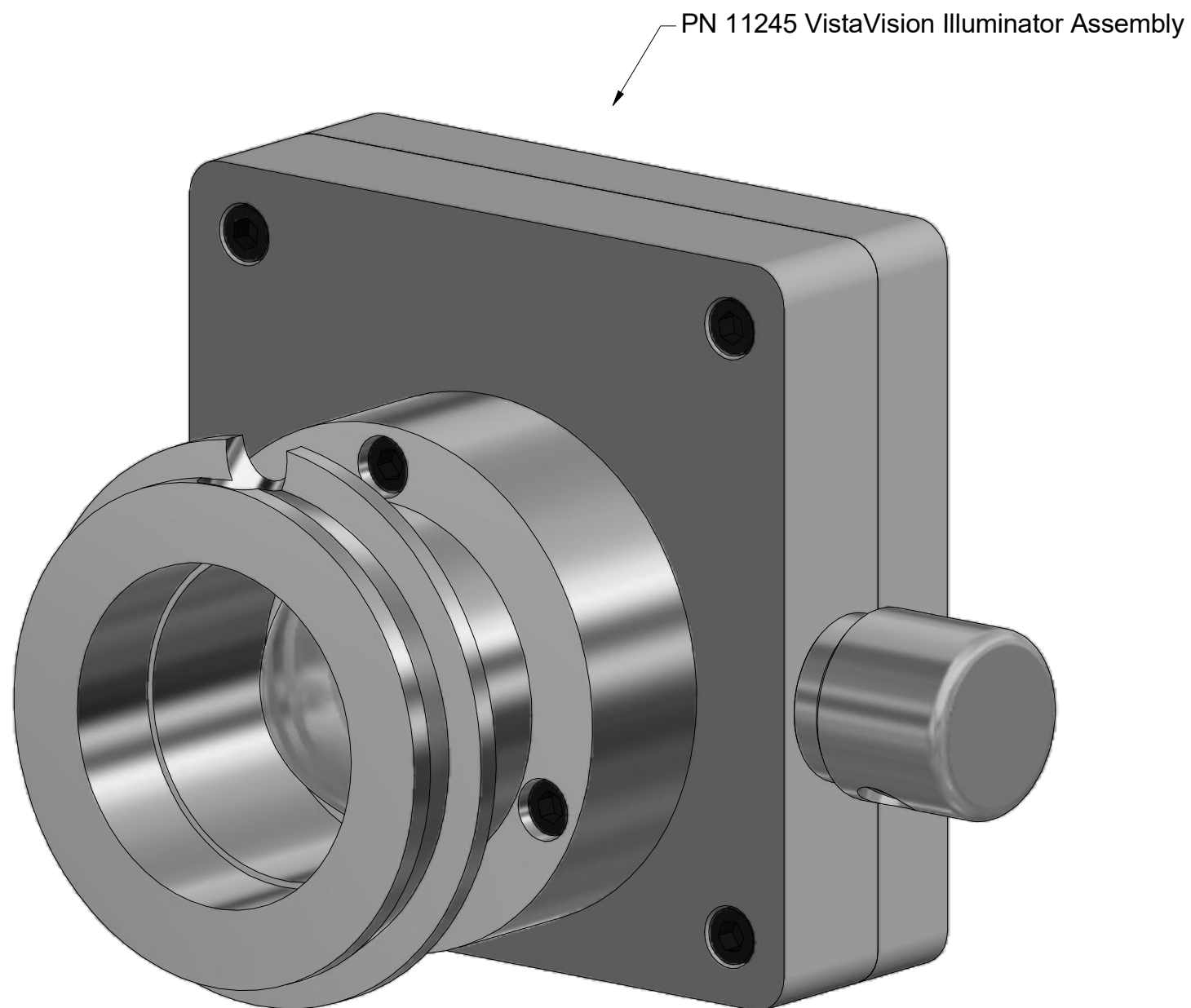


Nanodyne Replacement Illuminator for VWR VistaVision Microscope: Included Items



*Note that the illuminator mounted adjustment potentiometer is standard on this unit. Ask about a remote adjustment pot if desired.

Installation:

Loosen the thumbscrew holding the original illuminator and remove it.

Insert the new Nanodyne illuminator and secure by tightening the thumbscrew.

Connect the power supply and power cable and the unit is ready to operate.

Operation:

Light intensity is controlled by the knob as shown to the left.

Turn the knob clockwise to increase. When fully counterclockwise the unit is off. There is no separate switch.

The unit may have a detent "click" when turned counterclockwise to verify the off position, but will be fully off regardless when counterclockwise. Do not force the knob at either end of the rotation.



PN 10734 Cable Assy 1.35mm ID x 3.5mm OD RA plug to USB A 6 foot



PN 10733 Power Supply - XP Power 5V 1A Fixed Blade US Input/USB Output

The illuminator may be powered by plugging the cable into the power supply provided, or into a suitable USB port on a computer or other device.

Power supplies subject to substitution without notice due to availability issues and changes in regulations.

Wayne Bonin	3/28/2020
PN 11244 VWR VistaVision illuminator System	REV 2
SHEET 1	OF 1