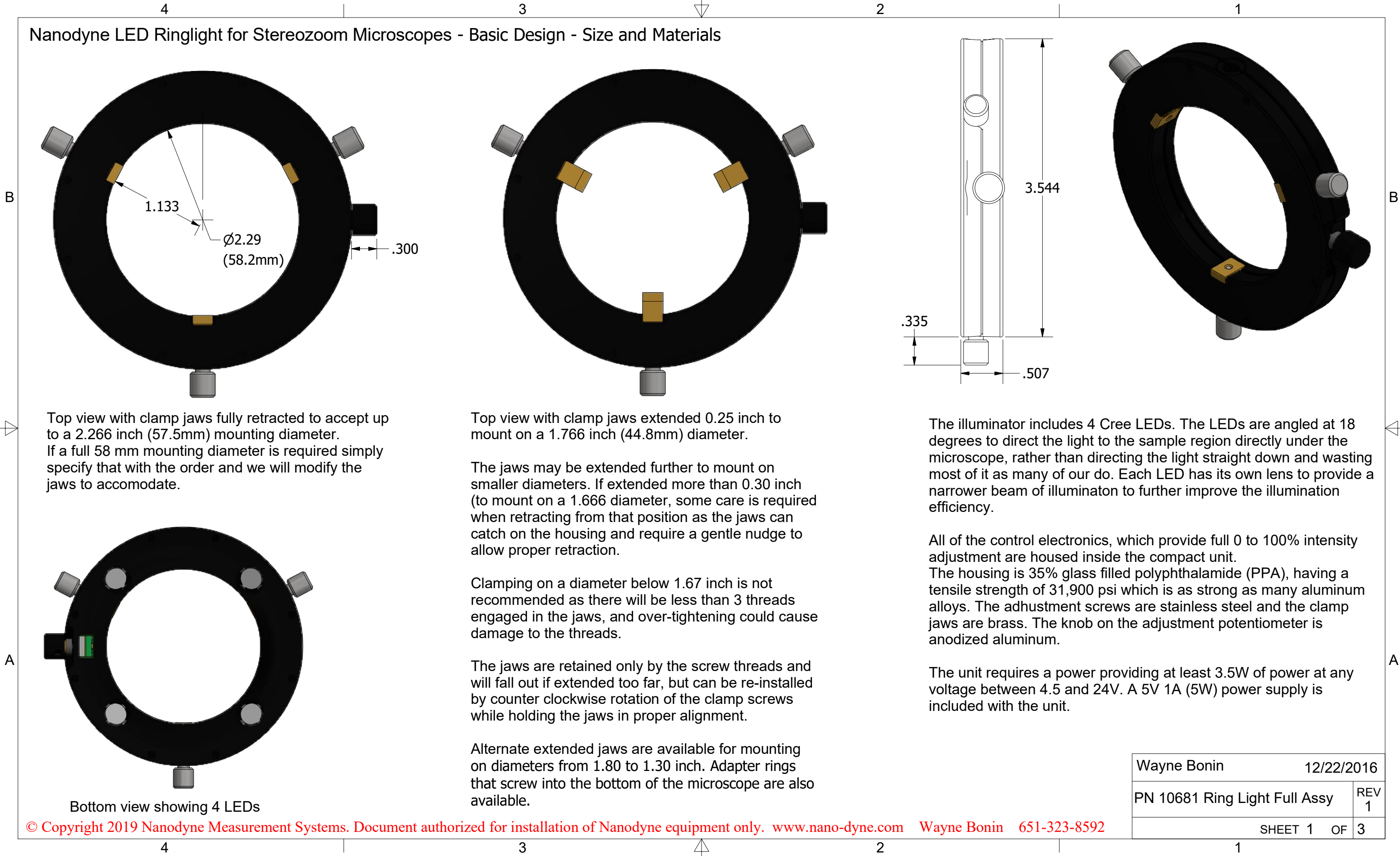


# Nanodyne LED Ringlight for Stereozoom Microscopes - Basic Design - Size and Materials



Top view with clamp jaws fully retracted to accept up to a 2.266 inch (57.5mm) mounting diameter. If a full 58 mm mounting diameter is required simply specify that with the order and we will modify the jaws to accomodate.

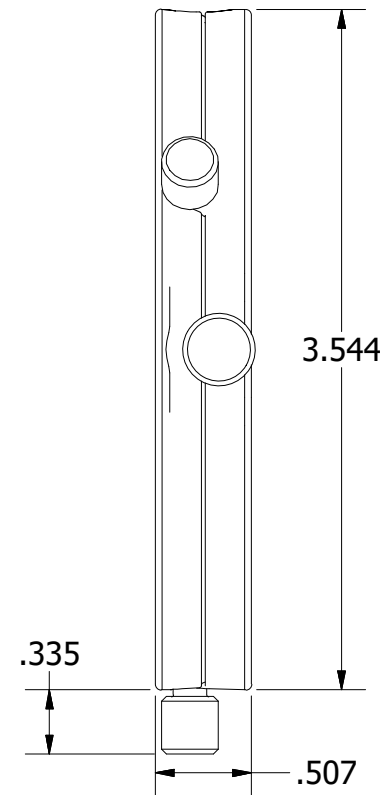
Top view with clamp jaws extended 0.25 inch to mount on a 1.766 inch (44.8mm) diameter.

The jaws may be extended further to mount on smaller diameters. If extended more than 0.30 inch (to mount on a 1.666 diameter, some care is required when retracting from that position as the jaws can catch on the housing and require a gentle nudge to allow proper retraction.

Clamping on a diameter below 1.67 inch is not recommended as there will be less than 3 threads engaged in the jaws, and over-tightening could cause damage to the threads.

The jaws are retained only by the screw threads and will fall out if extended too far, but can be re-installed by counter clockwise rotation of the clamp screws while holding the jaws in proper alignment.

Alternate extended jaws are available for mounting on diameters from 1.80 to 1.30 inch. Adapter rings that screw into the bottom of the microscope are also available.



The illuminator includes 4 Cree LEDs. The LEDs are angled at 18 degrees to direct the light to the sample region directly under the microscope, rather than directing the light straight down and wasting most of it as many of our do. Each LED has its own lens to provide a narrower beam of illumination to further improve the illumination efficiency.

All of the control electronics, which provide full 0 to 100% intensity adjustment are housed inside the compact unit. The housing is 35% glass filled polyphthalamide (PPA), having a tensile strength of 31,900 psi which is as strong as many aluminum alloys. The adjustment screws are stainless steel and the clamp jaws are brass. The knob on the adjustment potentiometer is anodized aluminum.

The unit requires a power providing at least 3.5W of power at any voltage between 4.5 and 24V. A 5V 1A (5W) power supply is included with the unit.

Bottom view showing 4 LEDs

Wayne Bonin	12/22/2016
PN 10681 Ring Light Full Assy	REV 1
SHEET 1 OF 3	

4

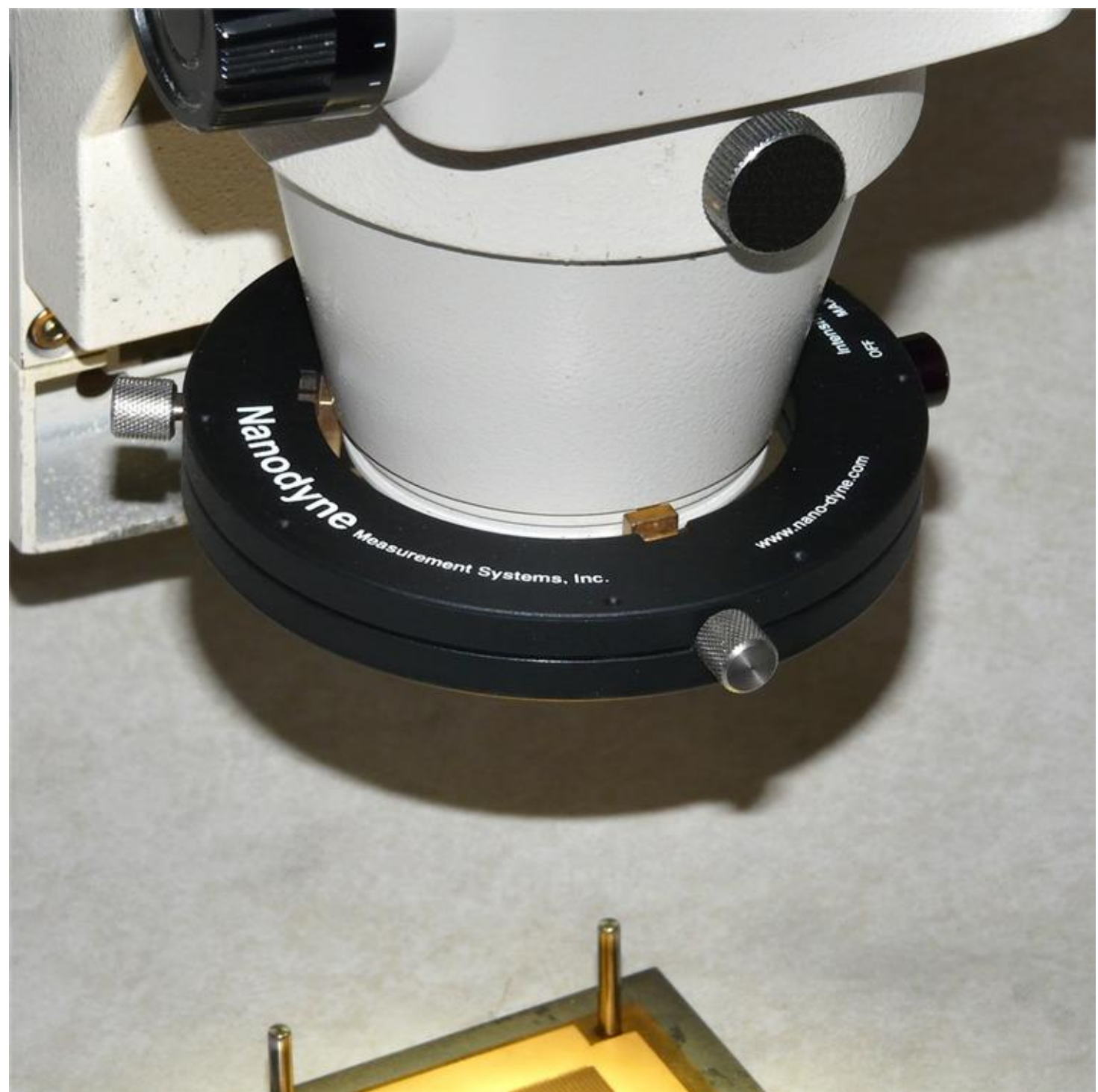
3



2

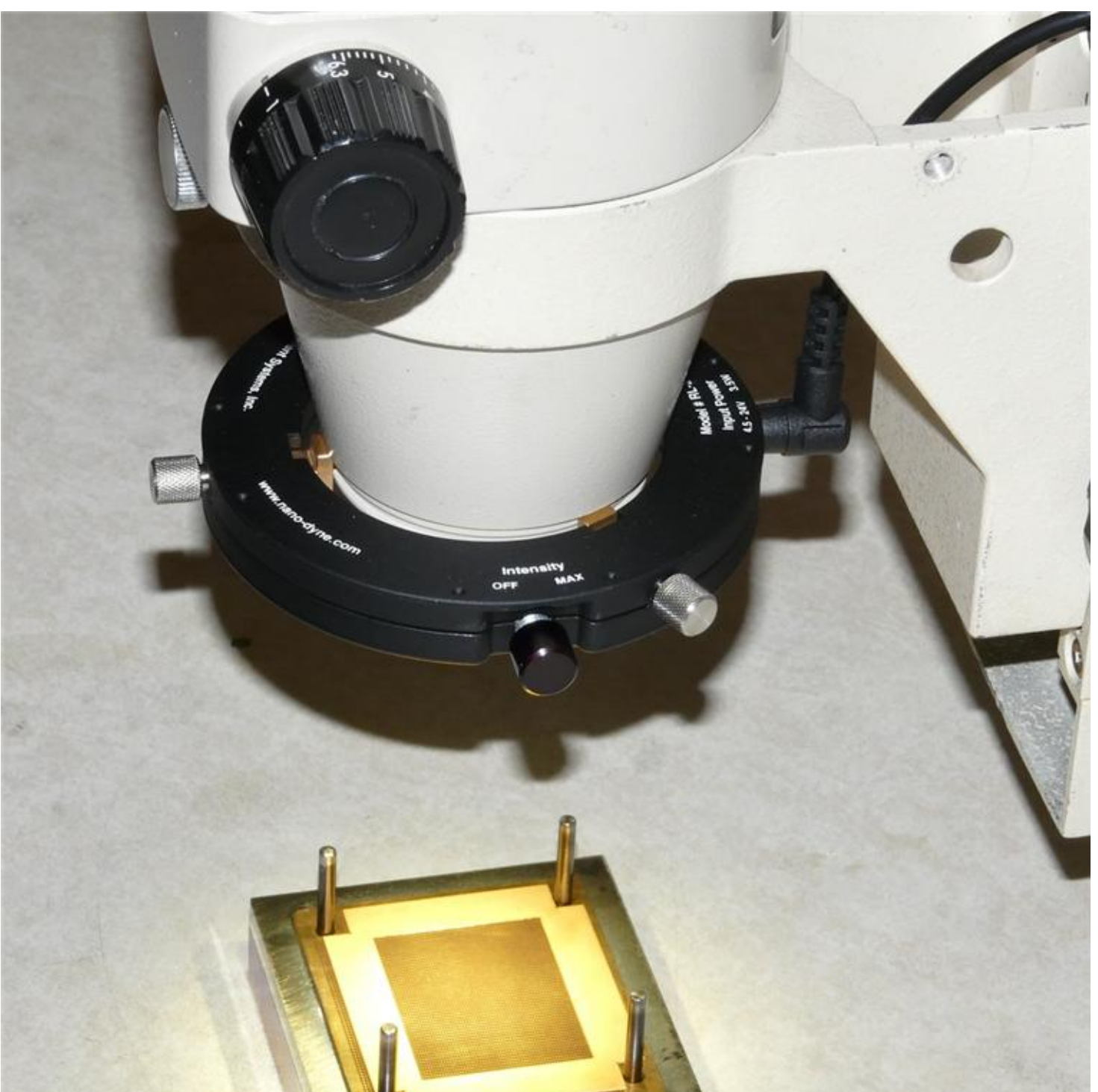
1

B



A

Front view of typical installation.



B

A

Side view of typical installation showing power connection.

Wayne Bonin	12/22/2016
PN 10681 Ring Light Full Assy	REV 1
SHEET 2	OF 3

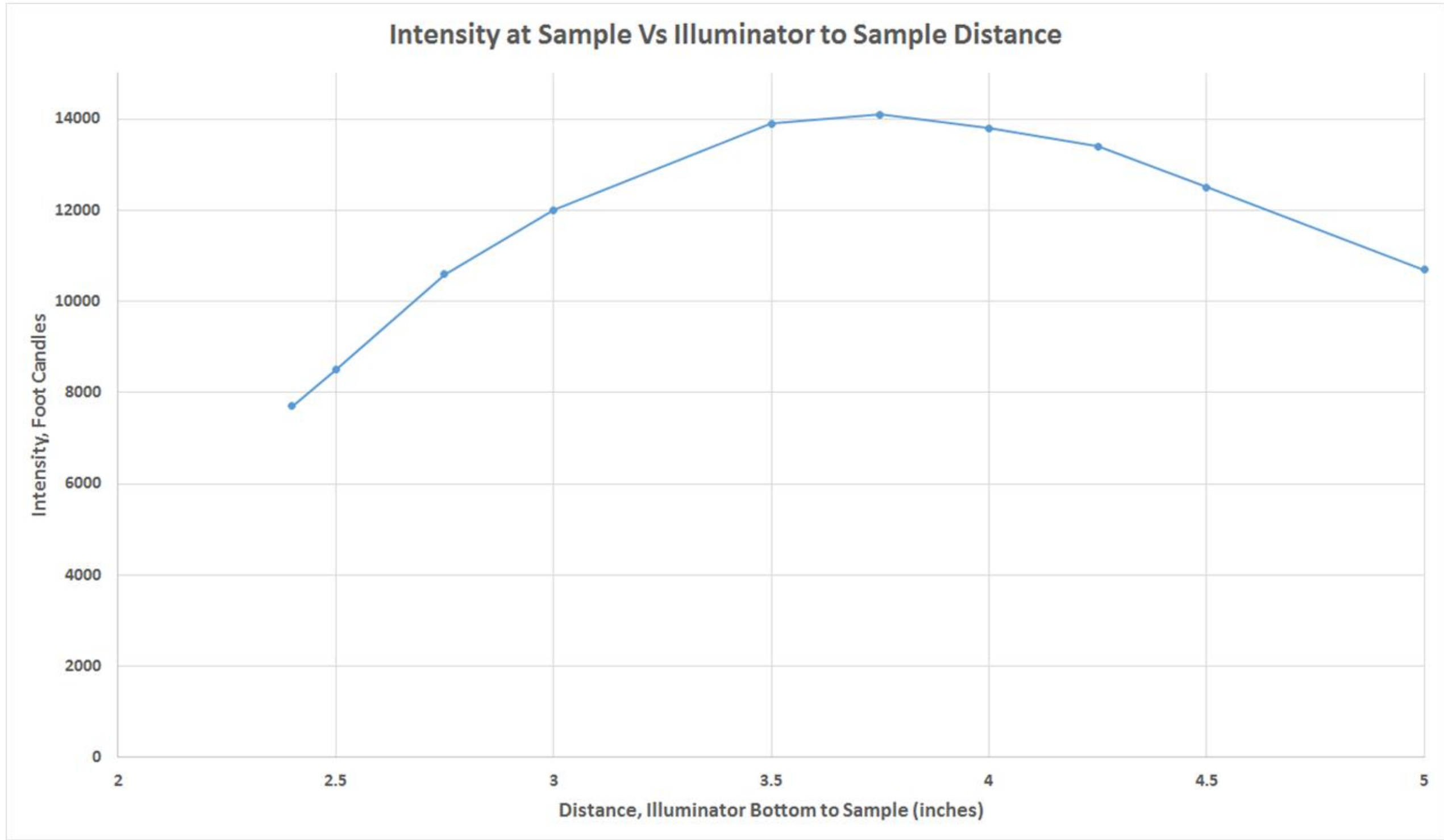
4

3



2

1



Wayne Bonin	12/22/2016
PN 10681 Ring Light Full Assy	REV 1
SHEET 3 OF 3	