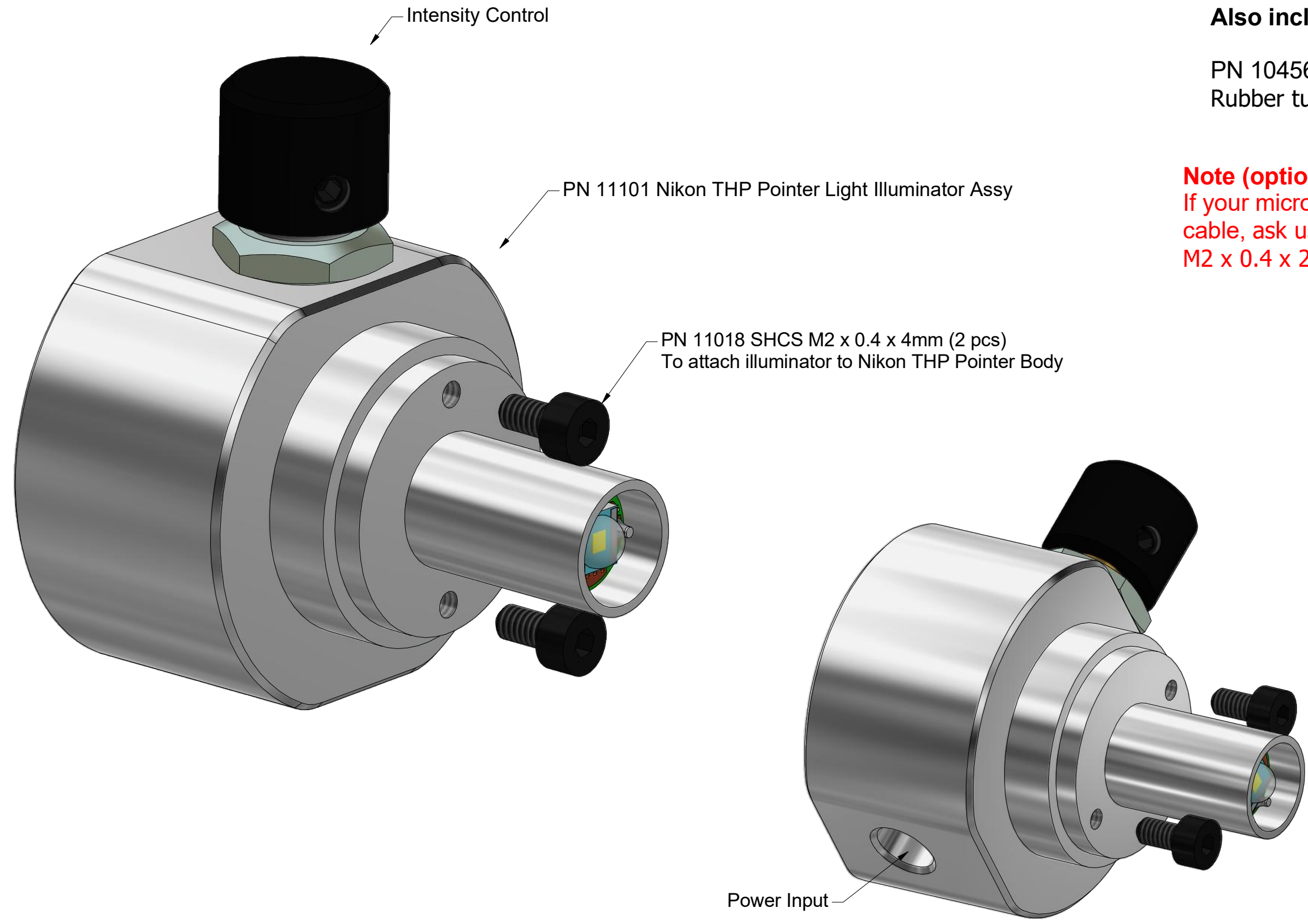


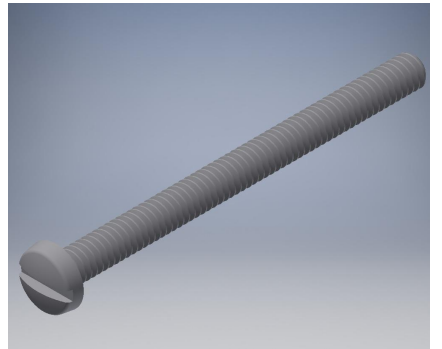
Nanodyne Replacement Illuminator for Nikon THP Pointer Light: Included Items



Also included but not shown:

PN 10456 1.5mm Hex Key for tightening the M2 screws
 Rubber tubing to block old power receptacle

Note (optional):
 If your microscope uses fiber optic cable, ask us to add PN 11774 M2 x 0.4 x 20mm screws



PN 10733 Power Supply - XP Power 5V 1A and PN 10734 Cable Assy 1.35mm ID x 3.5mm OD RA plug to USB A, 6 foot.

The illuminator may be powered by plugging the cable into the power supply provided, or into a suitable USB port on a computer or other device.

Power supplies are subject to substitution without notice due to availability issues and changes in regulations.

Wayne Bonin	3/16/2019
PN 11102 Nikon THP Pointer Light Illuminator System	REV 2
SHEET 1 OF 1	