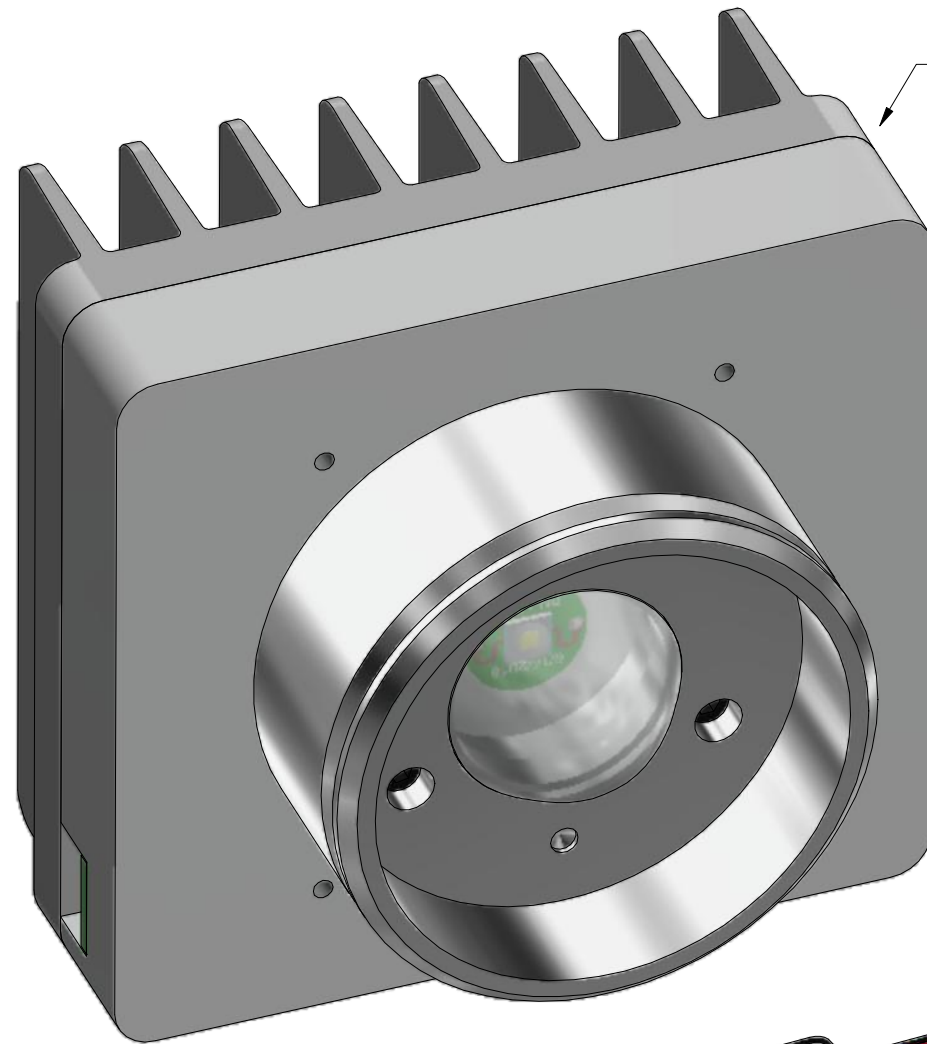


Nanodyne Replacement Illuminator for Olympus BX53 Microscope - Halogen OEM Lamp (easy install): Included Items

Additional Items Included But Not Shown:

PN 11721 Hex Key 1/8 inch (for set screw)



PN 10407 Olympus BX50-51 Bottom Illuminator Assy

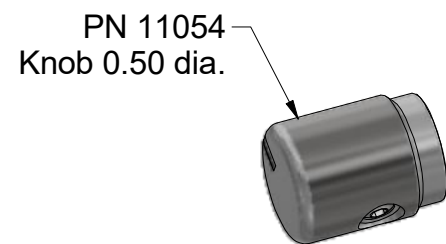
Note: diffuser in lens assy.



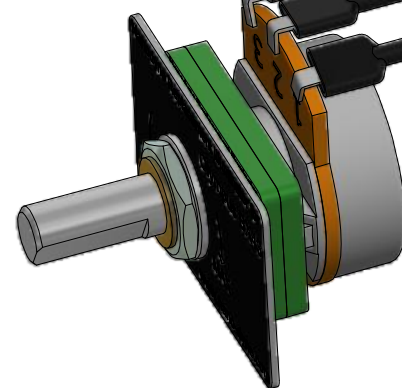
3M VHB Tape to secure wires.



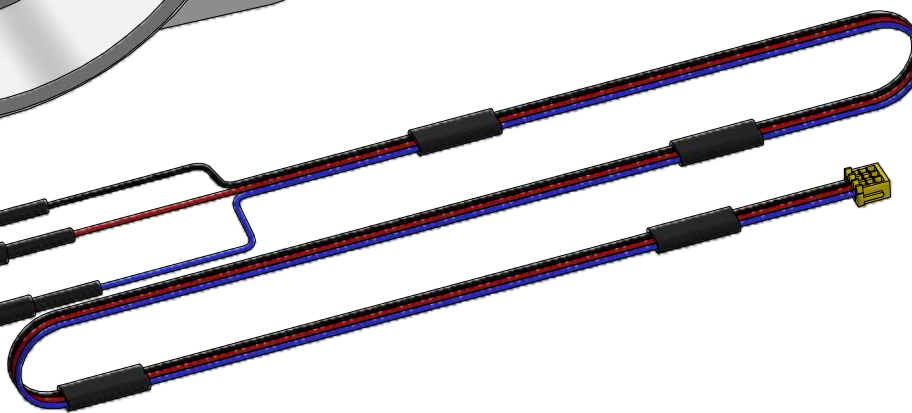
PN 11163 Power Supply 5V 2.1A and PN 10734 Power Cable 1.35mm ID/3.5mm OD x USB A 6 ft.



PN 11054 Knob 0.50 dia.



PN 11062 Pot-Plate-Cable Assy BX43_46 (easy install) (15 in cable)



The illuminator may be powered by plugging the cable into the power supply provided, or into a suitable USB port on a computer or other device.

Power supplies are subject to substitution without notice due to availability issues and changes in regulations.

Han-Seung Yang	3/18/2022
PN 12185 Olympus BX53 Illuminator System - halogen OEM lamp (easy install)	REV 1
SHEET 1	OF 1