

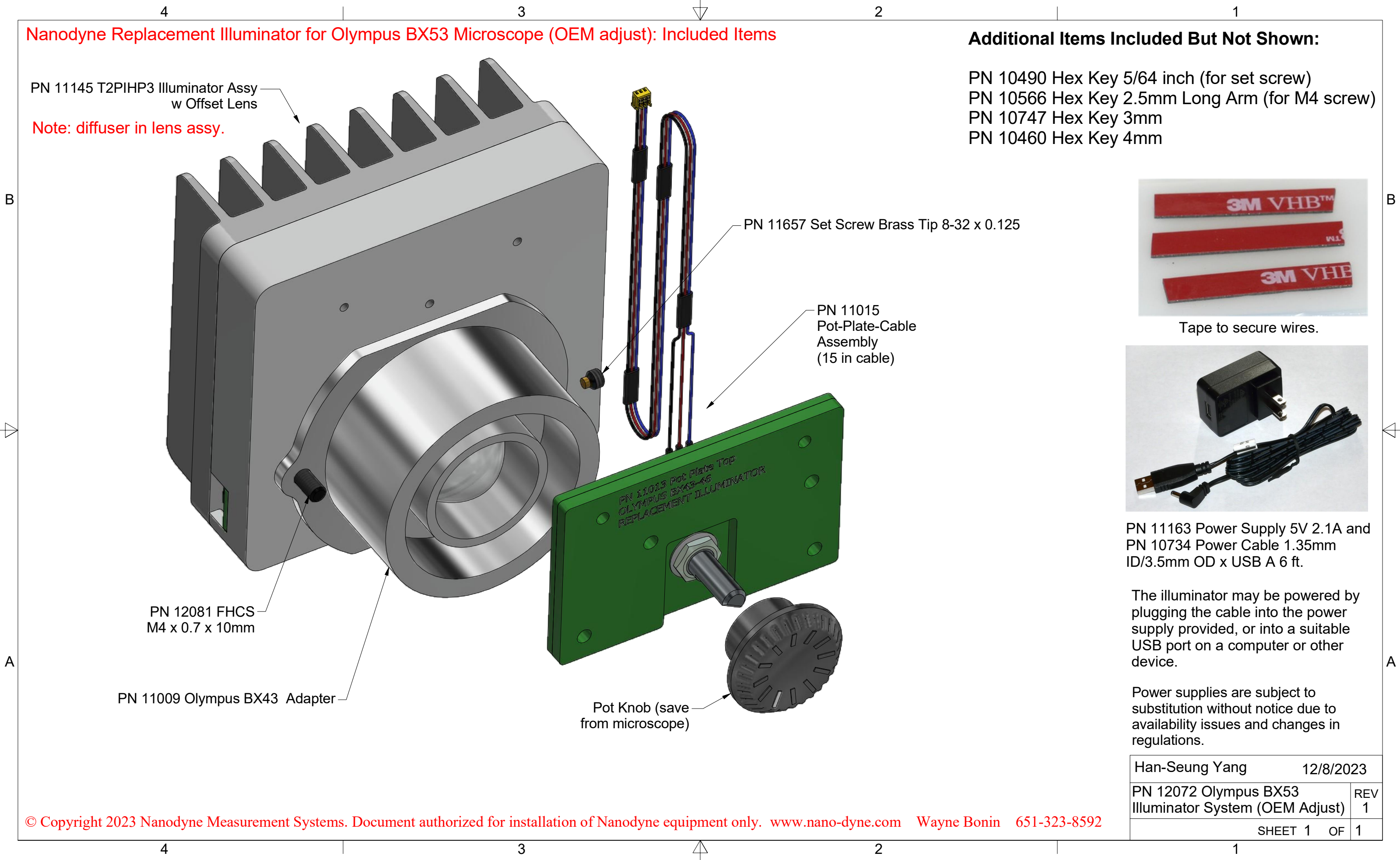
Nanodyne Replacement Illuminator for Olympus BX53 Microscope (OEM adjust): Included Items

PN 11145 T2PIHP3 Illuminator Assy
w Offset Lens

Note: diffuser in lens assy.

Additional Items Included But Not Shown:

- PN 10490 Hex Key 5/64 inch (for set screw)
- PN 10566 Hex Key 2.5mm Long Arm (for M4 screw)
- PN 10747 Hex Key 3mm
- PN 10460 Hex Key 4mm



PN 11657 Set Screw Brass Tip 8-32 x 0.125

PN 11015
Pot-Plate-Cable
Assembly
(15 in cable)

PN 12081 FHCS
M4 x 0.7 x 10mm

PN 11009 Olympus BX43 Adapter

Pot Knob (save
from microscope)

PN 11013 Pot Plate Top
OLYMPUS BX43-46
REPLACEMENT ILLUMINATOR



Tape to secure wires.



PN 11163 Power Supply 5V 2.1A and
PN 10734 Power Cable 1.35mm
ID/3.5mm OD x USB A 6 ft.

The illuminator may be powered by plugging the cable into the power supply provided, or into a suitable USB port on a computer or other device.

Power supplies are subject to substitution without notice due to availability issues and changes in regulations.

Han-Seung Yang		12/8/2023
PN 12072 Olympus BX53 Illuminator System (OEM Adjust)		REV 1
SHEET 1 OF 1		