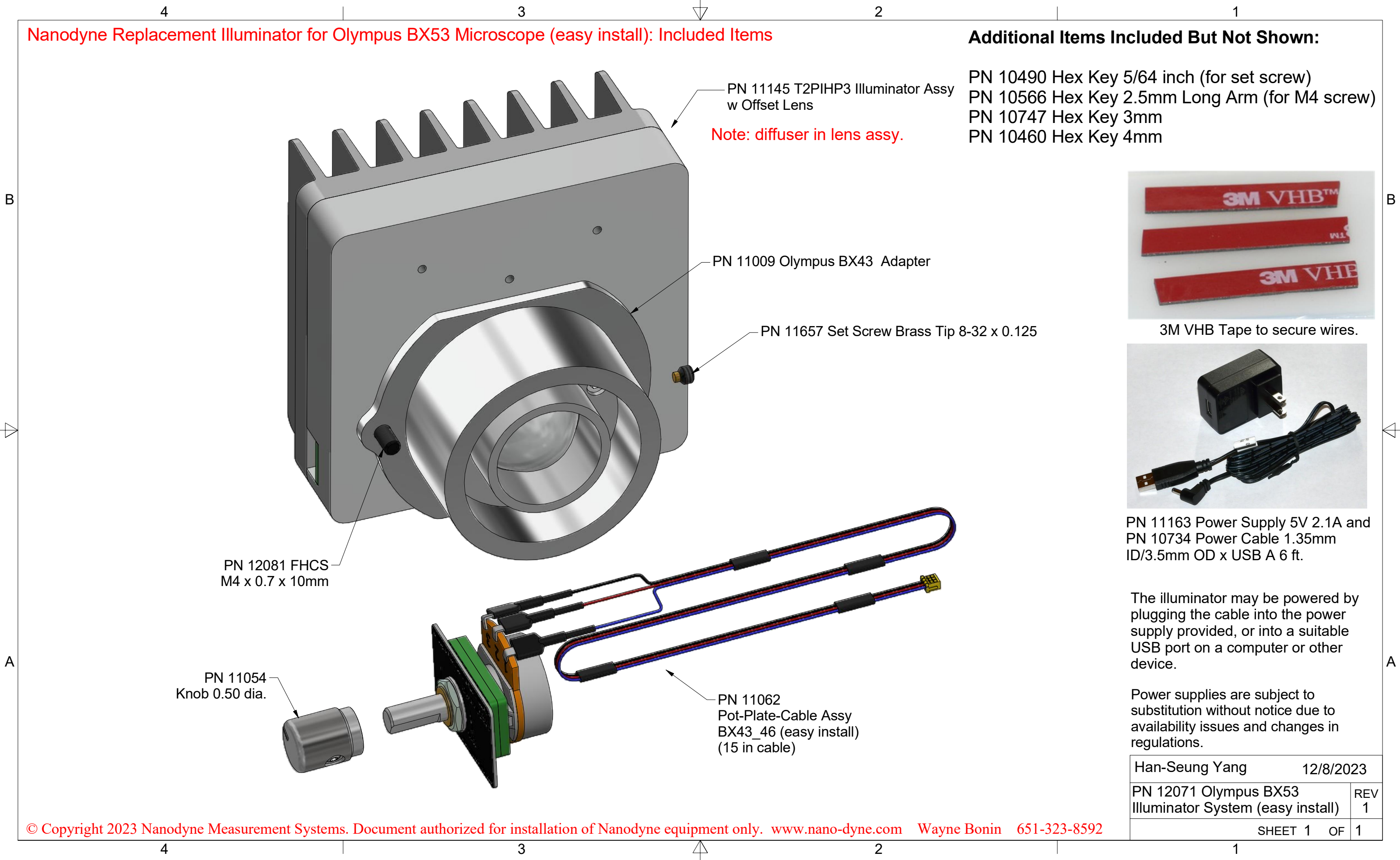


Nanodyne Replacement Illuminator for Olympus BX53 Microscope (easy install): Included Items

Additional Items Included But Not Shown:



- PN 10490 Hex Key 5/64 inch (for set screw)
- PN 10566 Hex Key 2.5mm Long Arm (for M4 screw)
- PN 10747 Hex Key 3mm
- PN 10460 Hex Key 4mm



3M VHB Tape to secure wires.



PN 11163 Power Supply 5V 2.1A and PN 10734 Power Cable 1.35mm ID/3.5mm OD x USB A 6 ft.

The illuminator may be powered by plugging the cable into the power supply provided, or into a suitable USB port on a computer or other device.

Power supplies are subject to substitution without notice due to availability issues and changes in regulations.

Han-Seung Yang	12/8/2023
PN 12071 Olympus BX53 Illuminator System (easy install)	REV 1
SHEET 1	OF 1