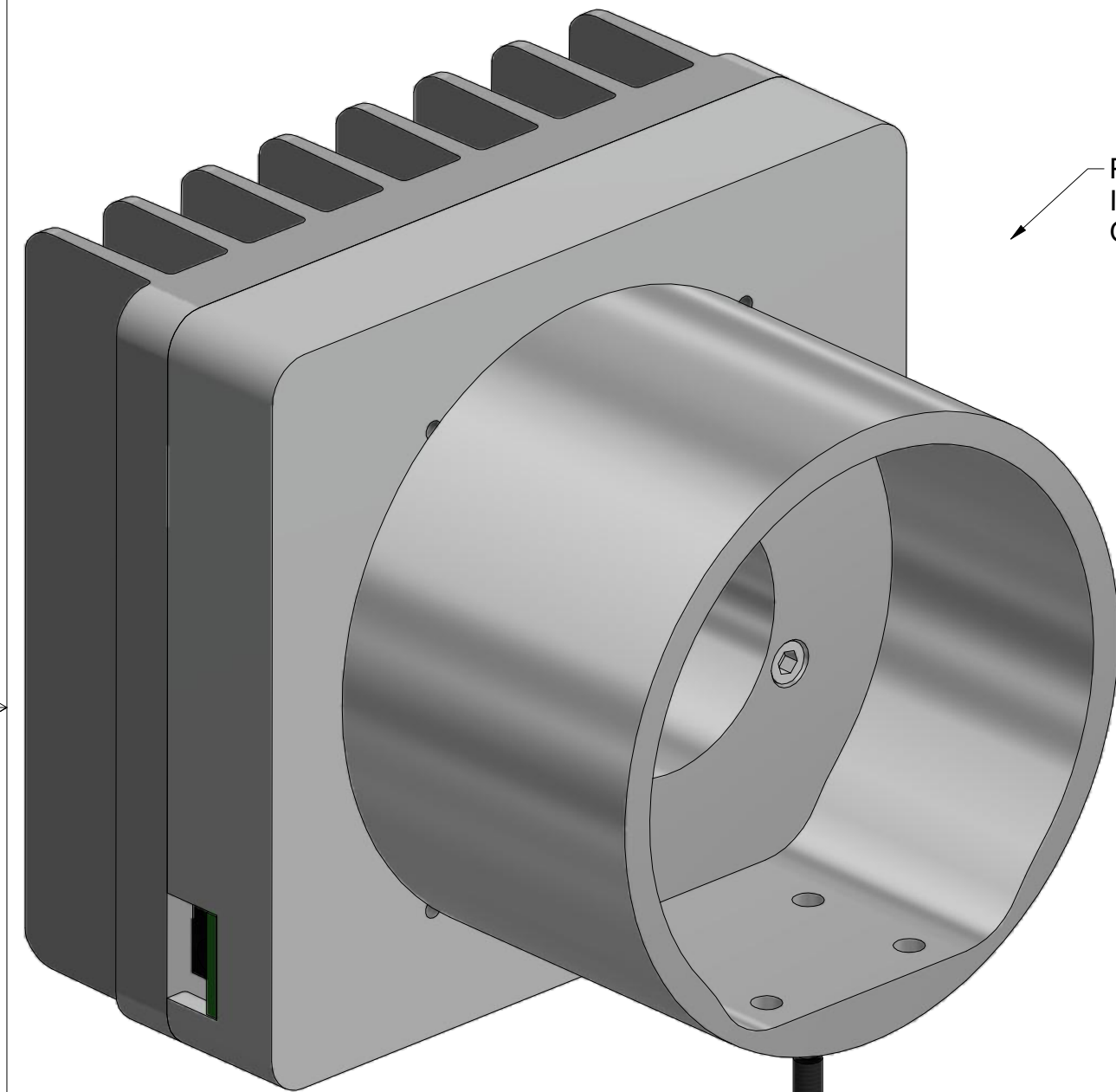


# Nanodyne Replacement Illuminator for Olympus PMG3 Microscope: Included Items

## Included Items Not Shown:

PN 10457 2.5mm Hex Key (for 3 mm screws to attach OEM collector lens)



PN 10393 HP3  
Illuminator Assy  
Olympus BHS

The illuminator may be powered by plugging the cable into the power supply provided, or into a suitable USB port on a computer or other device.



PN 11163 Power Supply 5V 2.1A and  
PN 10734 Power Cable 1.35mm  
ID/3.5mm OD x USB A 6 ft.

PN 10276  
Slide Pot  
Assembly  
- for PMG3

Pot Knob not supplied  
(save from microscope)

PN 11002 Pot  
Cable Assembly  
(29 inch)

PN 11720 Rubber Grommet

PN 10275 SHCS M3 x 0.5 x 8mm (4 pcs)  
(to attach OEM collector lens to illuminator)



PN 10736 Rubber plug to block unused  
AC power receptacle.



Tape to secure wires.

Power supplies are subject to substitution without notice due to availability issues and changes in regulations.

Han-Seung Yang	2/9/2023	
PN 11699 Olympus PMG3 illuminator System		REV 1
	SHEET 1	OF 1