

Nanodyne Replacement Illuminator for Olympus PMG3 Microscope Installation Instructions: Included Items

Included Items Not Shown:

PN 10457 Hex Key 2.5mm (to attach OEM collector lens to adapter)

The illuminator may be powered by plugging the cable into the power supply provided, or into a suitable USB port on a computer or other device.

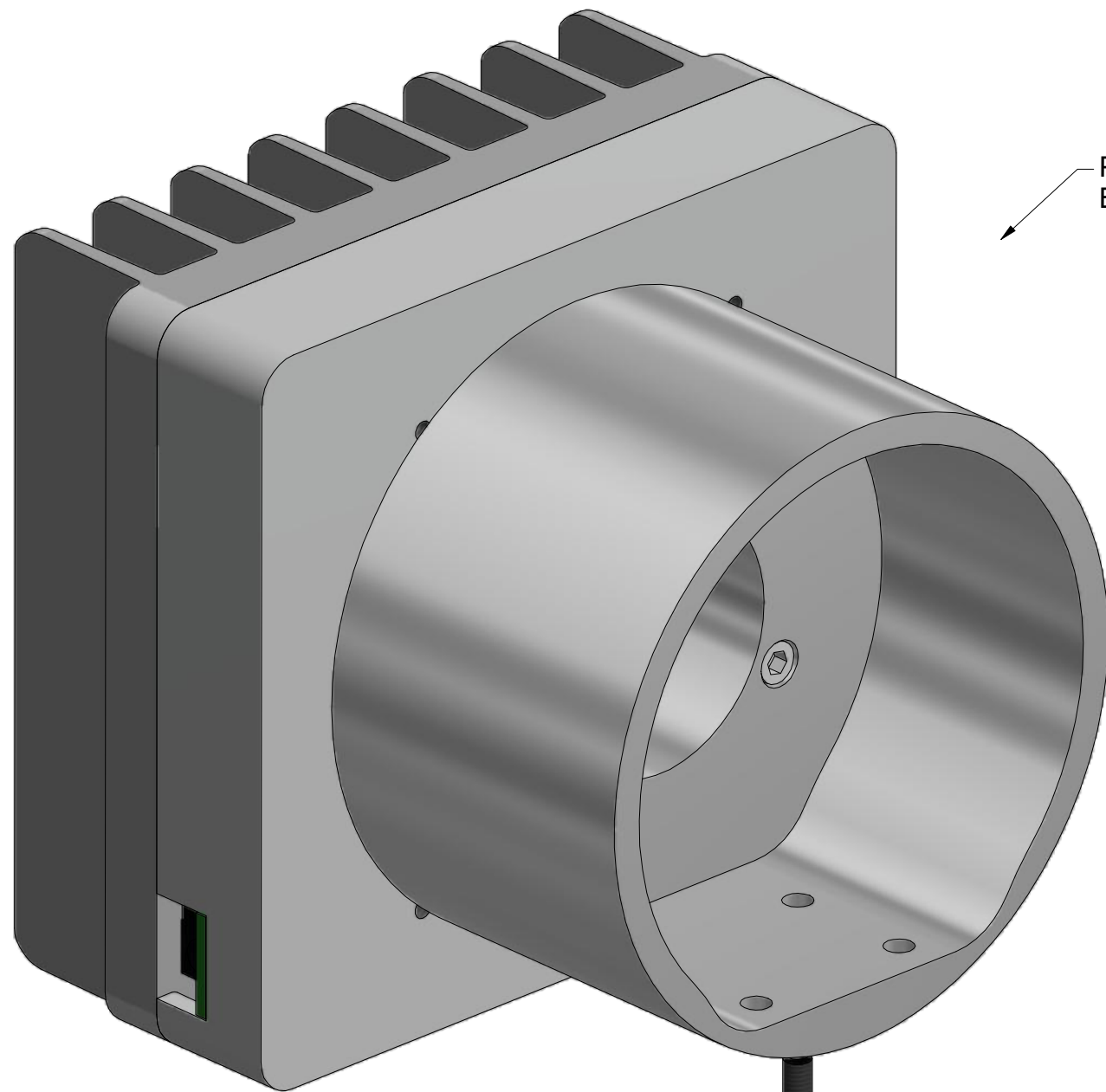


PN 11163 Power Supply 5V 2.1A and PN 10734 Power Cable 1.35mm ID/3.5mm OD x USB A 6 ft.



Tape to secure wires.

Power supplies are subject to substitution without notice due to availability issues and changes in regulations.



PN 10393 Olympus BHS Illuminator Assy

PN 10276 Slide Pot Assembly - for PMG3

Pot Knob not supplied (save from microscope)

PN 11002 Pot Cable Assembly (29 inch)

PN 11720 Rubber Grommet

PN 10275 SHCS M3 x 0.5 x 8mm (4 pcs) (to attach OEM collector lens to illuminator)



PN 10736 Rubber plug to block unused AC power receptacle.

Han-Seung Yang 2/9/2023	
PN 11699 Olympus PMG3 illuminator System Installation	REV 1
SHEET 1 OF 7	

Nanodyne Illuminator for Olympus PMG3 Microscope Installation Instructions: Remove OEM Illuminator, Salvage Collector Lens, Attach Lens to New Illuminator

(1) Remove the OEM illuminator/collector lens assembly from the microscope.

Remove the lens from the illuminator housing.



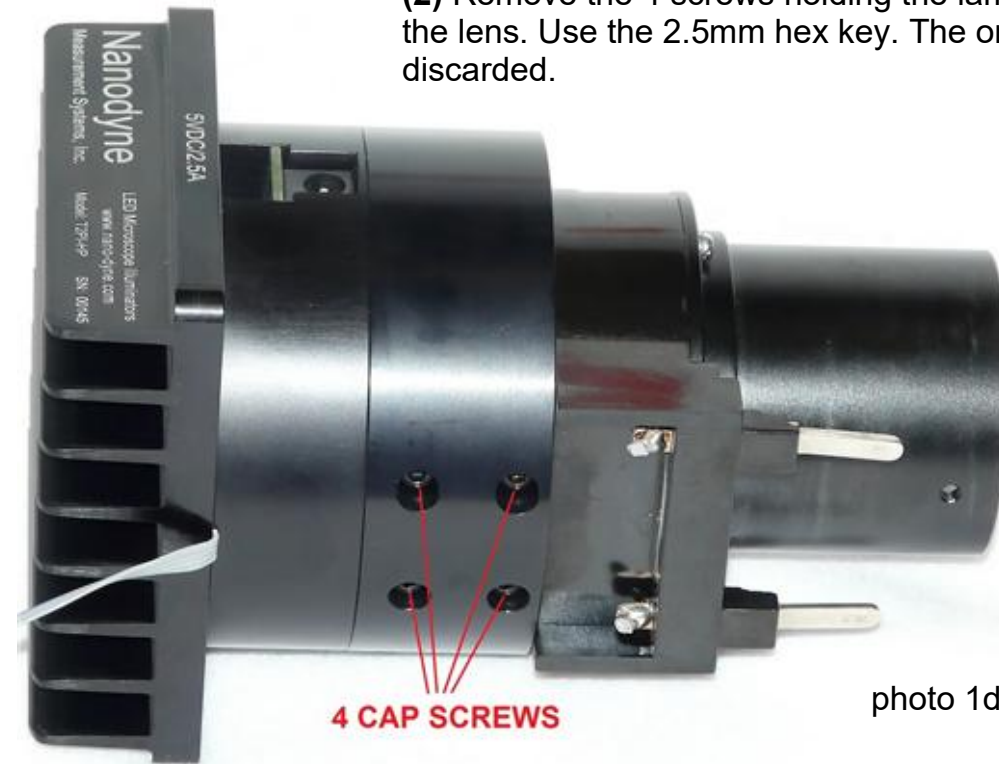
(2) Remove the 4 screws holding the lamp socket assembly to the lens. Use the 2.5mm hex key. The original screws may be discarded.



(3) Pull the lamp socket assembly away from the lens.



(4) Cut the wires close to the collector lens. The lamp socket assembly may be discarded.



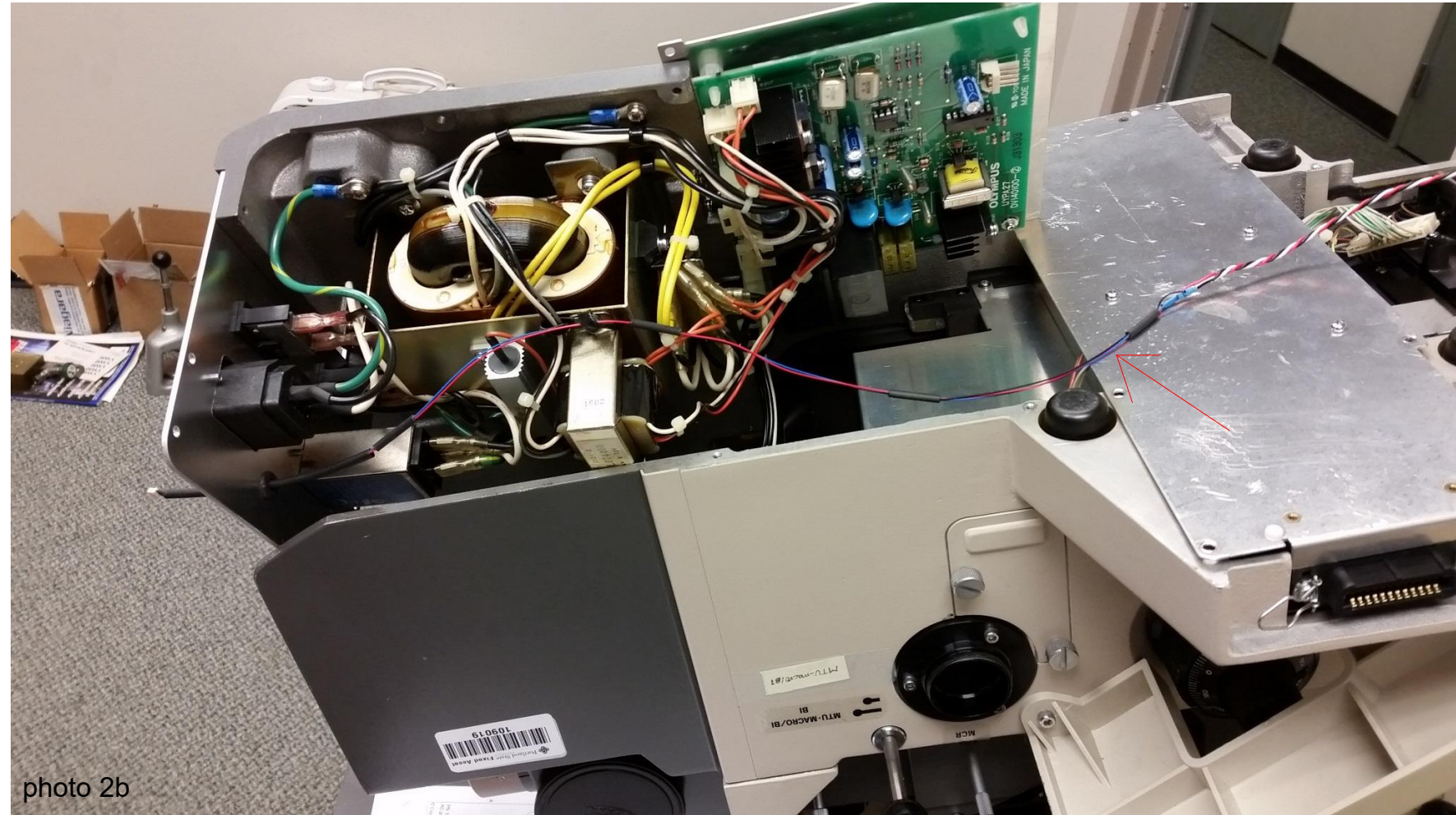
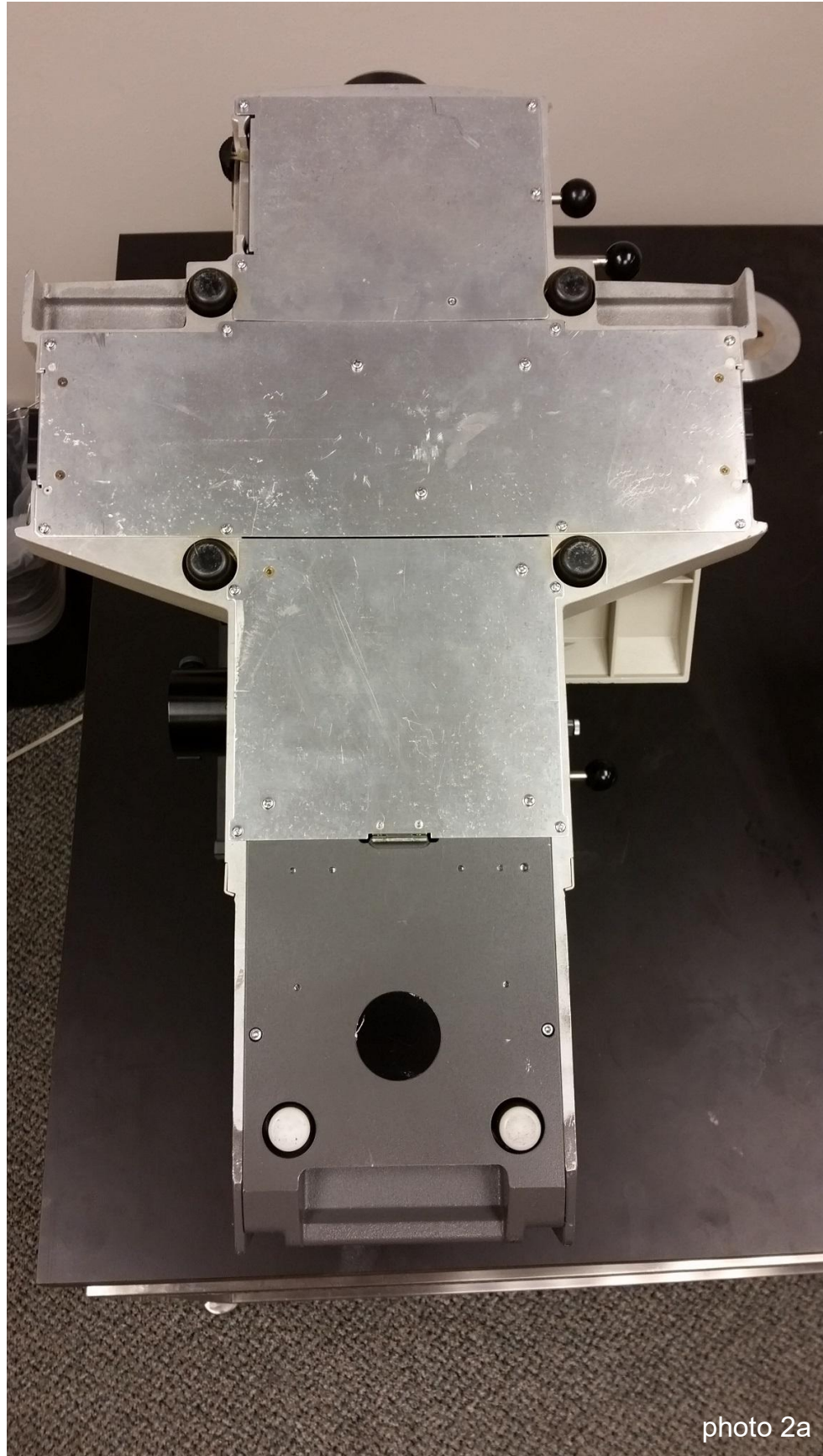
(5) Attach the OEM collector lens assembly to the Nanodyne illuminator using the 4 new M3 x 0.5 x 8mm cap screws. Tighten with the 2.5mm hex key.

NOTE - The photo at left shows an older model Nanodyne illuminator. The current model is shown on the first page.

The cable for the intensity control now plugs into the bottom of the illuminator, rather than being permanently attached as shown at left.

Han-Seung Yang 2/9/2023	
PN 11699 Olympus PMG3 illuminator System Installation	REV 1
SHEET 2 OF 7	

Nanodyne Illuminator for Olympus PMG3 Microscope Installation Instructions: Remove bottom cover, route pot cable



Remove the bottom cover of the microscope (photo 2a).

Pull the plastic knob off of the intensity adjust pot and set aside. Remove and discard the original intensity adjust pot.

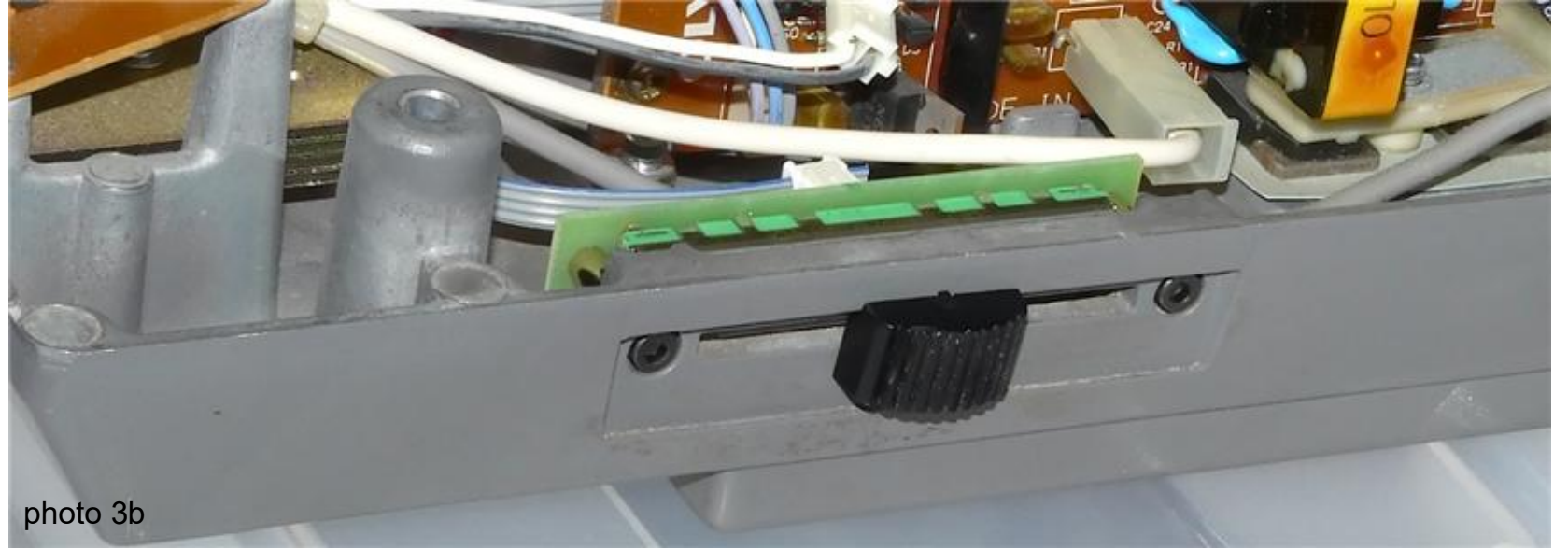
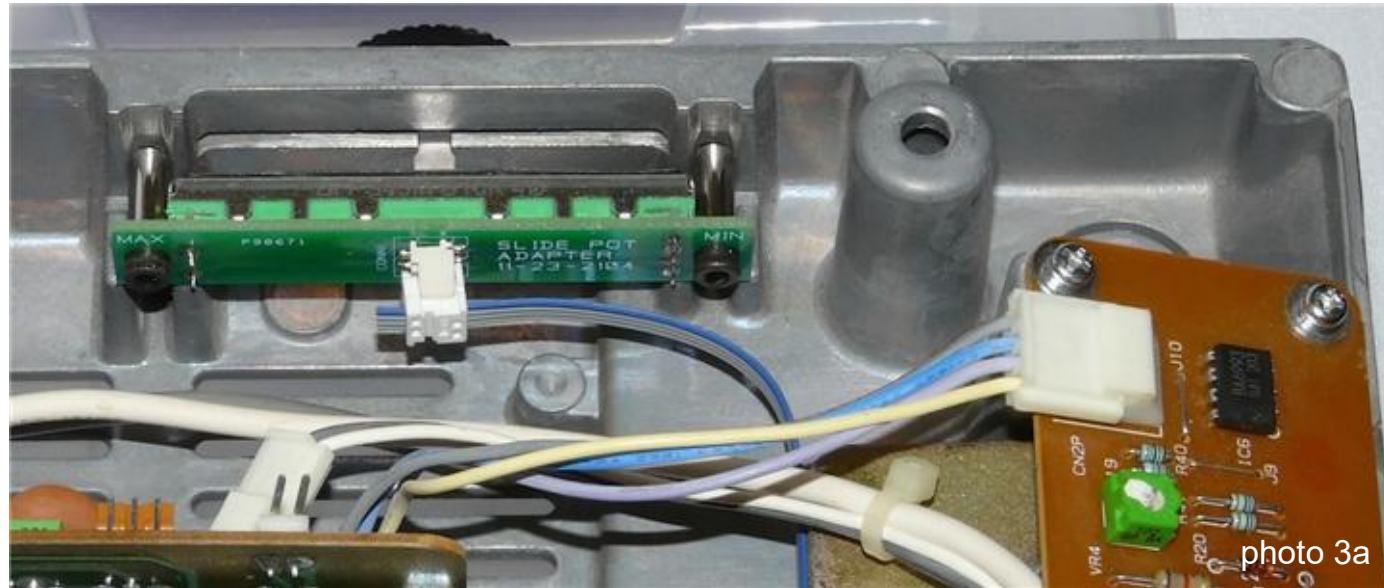
(Installation of new pot is shown on the next page)

Remove and discard the original circuitry and power connector for the illuminator (photo 2b), then route the new pot cable (red arrow).

To avoid aggravation when later replacing the bottom cover, be sure there are no loose wires near the 4 screw holes. Either secure any loose wires, or remove and discard them. None of the original illuminator circuitry is required for the new Nanodyne illuminator.

Han-Seung Yang 2/9/2023	
PN 11699 Olympus PMG3 illuminator System Installation	REV 1
SHEET 3 OF 7	

Nanodyne Illuminator for Olympus PMG3 Microscope Installation Instructions: Install New Intensity Adjust Pot



(1) Attach the slide pot assembly to the microscope with the two M3 cap screws.

Be sure the text "MIN" and "MAX" are as shown, or the operation of the intensity control will be reversed.

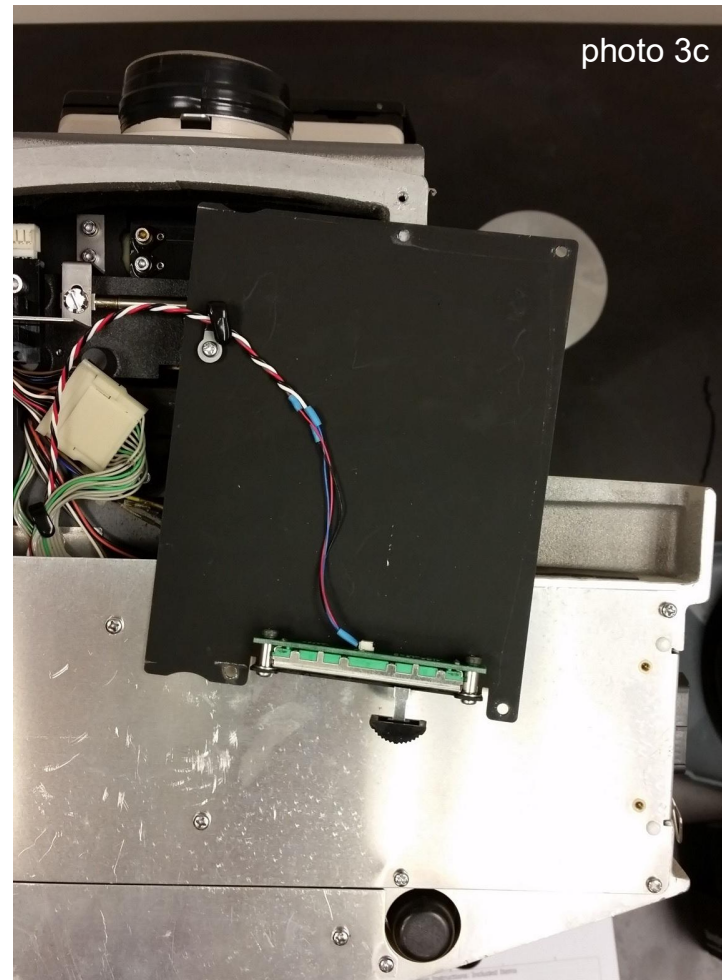
(2) Press the original knob onto the slide pot lever as shown above.

NOTE - The photos 3a & 3b show an older model pot cable and Olympus BHS microscope base while the procedure is same.

The new cable has a different connector as shown in photo 3c.

If the pot cable is not already attached to the pot, connect it now.

Sheet 7 shows details about how to connect the pot cable to the illuminator. (The cable is attached to the pot the same way)



Han-Seung Yang 2/9/2023	
PN 11699 Olympus PMG3 illuminator System Installation	REV 1
SHEET 4 OF 7	

Nanodyne Illuminator for Olympus PMG3 Microscope Installation Instructions: Route Pot Cable out back of Microscope and connect the new pot cable



photo 4a



photo 4b



photo 4c

Drill a hole on the back cover and install rubber grommet provided (red arrow) as shown in photo 4a.

Secure the pot cable inside the microscope with tie wraps and/or the red tape, leaving only the required length outside the microscope.

Replace the bottom of the microscope, securing it with the original screws.

Route the pot cable out the back of the microscope as shown in photos 4a & 4b.

Install the new illuminator. Insert the collector lens, now attached to the Nanodyne illuminator assembly, into the microscope.

Connect the pot cable to the microscope (photo 4c). See detailed instructions on sheet 7.

Han-Seung Yang 2/9/2023	
PN 11699 Olympus PMG3 illuminator System Installation	REV 1
SHEET 5 OF 7	

Nanodyne Illuminator for Olympus PMG3 Microscope Installation Instructions: Electrical Safety, New Power Supply



Install PN 10736 rubber blocking plug to deter connection of unneeded AC power.



photo 5a

At a minimum, disconnect the AC power from the old power supply by unplugging the two circled connectors and ground cable. The white and black wires could be cut off next to the AC receptacle and completely removed for maximum safety.



photo 5b

Connect the power cable to the illuminator and power supply. Plug the power supply into an AC outlet and the system is ready to operate. There is no off switch. The LED is completely off when the control is slid back towards the front of the microscope.



photo 5c

NOTE - The photo 5c shows an older model illuminator.

The new cable has a different connector as shown on the first page.

Han-Seung Yang 2/9/2023	
PN 11699 Olympus PMG3 illuminator System Installation	REV 1
SHEET 6 OF 7	

Nanodyne Illuminator for Olympus PMG3 Microscope Installation Instructions: Pot Cable Connection Details

Connect the plug at the end of the Pot Cable Assembly to the mating socket of the illuminator, as shown in the pictures on this page. NOTE THAT THE PLUG IS KEYED TO ONLY GO INTO THE SOCKET ONE WAY, AS SHOWN.

Partially insert the plug into the mating socket of the illuminator by holding the wire next to the plug with your finger (photo 2).

Use your fingernails, if you have them, or tools like a tiny screwdriver or tweezers pushing on the side of the plug to fully insert it (photo 3).

The socket cannot be fully engaged by pushing on the wires, as the wires would just collapse.

To disconnect it if needed, pull the wire straight out by firmly gripping the black heat shrink tubing.

