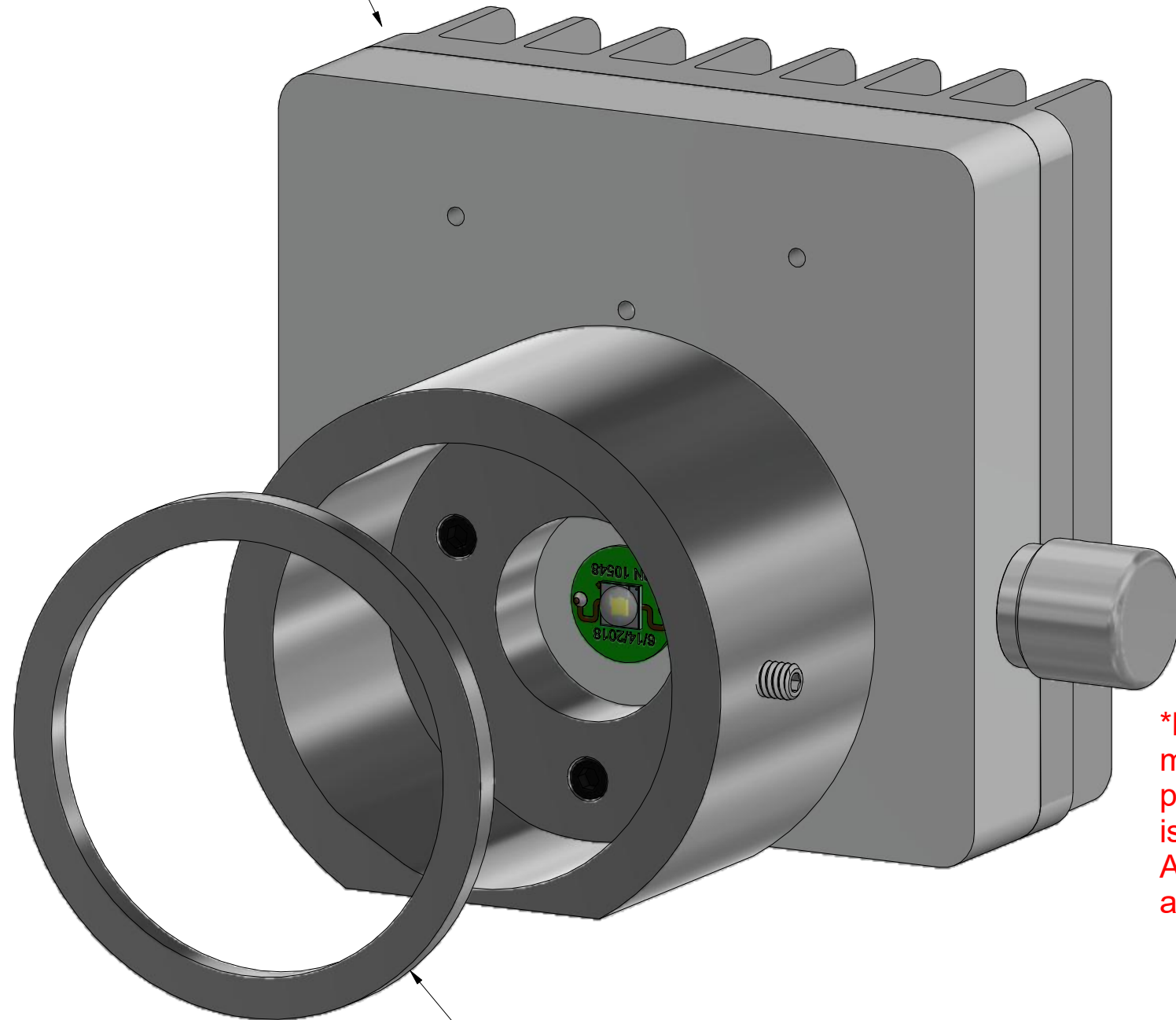


## Nanodyne Replacement Illuminator for Olympus IMT-2 Microscope - Included Items

PN 10463 Nikon Diaphot Illuminator Assy



IMT-2 Spacer for Diaphot illuminator

**\*Note that the illuminator mounted adjustment potentiometer is standard on this unit. Ask about a remote adjustment pot if desired.**

### Additional Items Included But Not Shown:

PN 10490 Hex Key 5/64 inch (for securing illuminator assembly to adapter)



PN 11163 Power Supply 5V 2.1A and PN 10734 Power Cable 1.35mm ID/3.5mm OD x USB A 6 ft.

The illuminator may be powered by plugging the cable into the power supply provided, or into a suitable USB port on a computer or other device. (USB ports may not provide full output power for high power illuminators)

Power supplies are subject to substitution without notice due to availability issues and changes in regulations.

Han-Seung Yang	9/3/2021
PN 11671 Olympus IMT-2 illuminator System - back up	REV 1
SHEET 1	OF 1