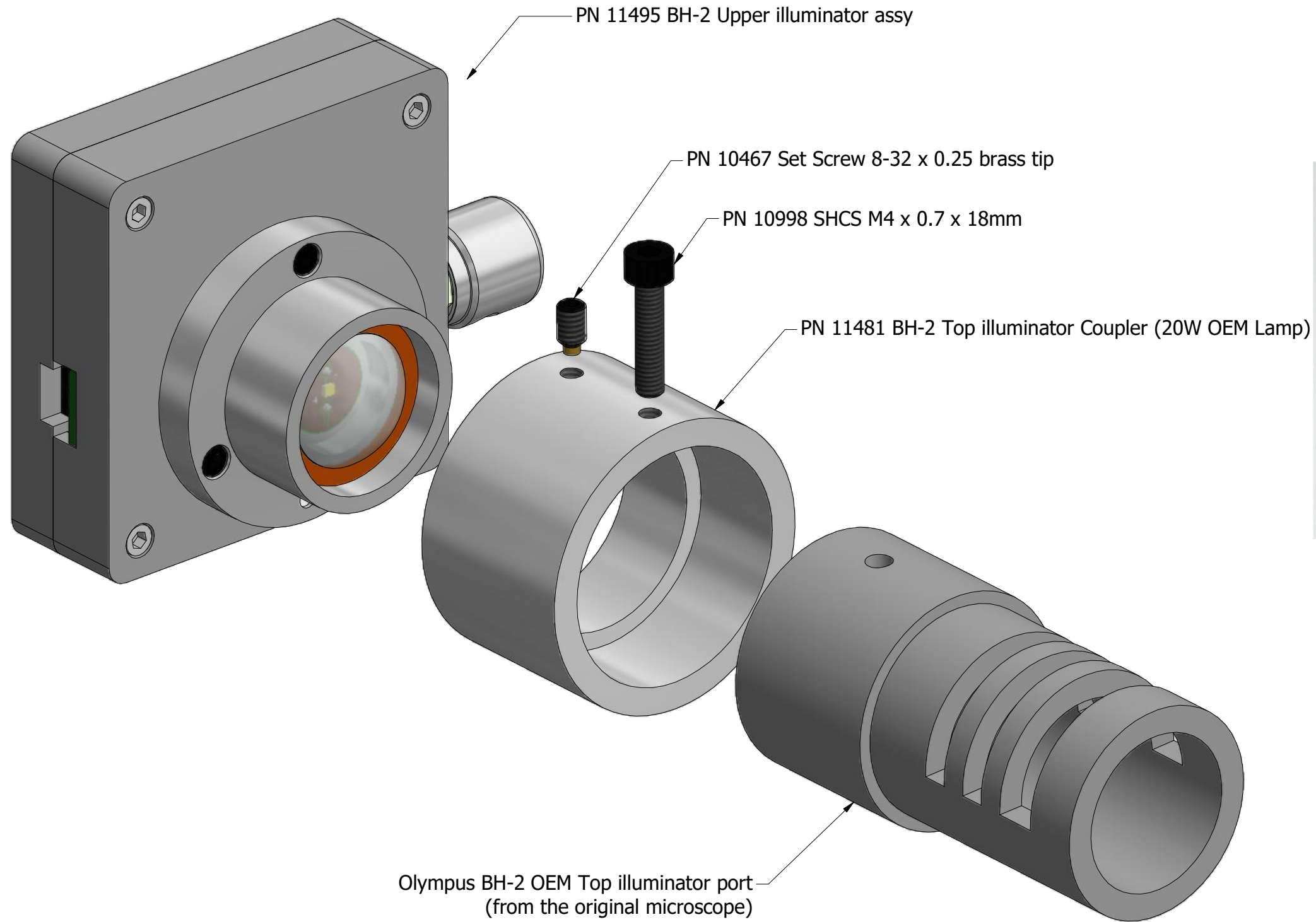


Nanodyne Replacement Illuminator for Olympus BH-2 Microscope Upper Illuminator - (20W OEM Lamp): Included Items



Additional Items Included But Not Shown:

- PN 10490 Hex Key 5/64 inch for set screw
- PN 10747 Hex Key 3mm long arm



PN 10733 Power Supply - XP Power 5V 1A Fixed Blade US Input/USB Output and PN 10734 Cable Assy 1.35mm ID x 3.5mm OD RA plug to USB A, 6 foot.

The illuminator may be powered by plugging the cable into the power supply provided, or into a suitable USB port on a computer or other device.

Power supplies are subject to substitution without notice due to availability issues and changes in regulations.

Han-Seung Yang	12/23/2019
PN 11551 BH-2 Upper illuminator System (low power) - (20W OEM Lamp)	REV 1