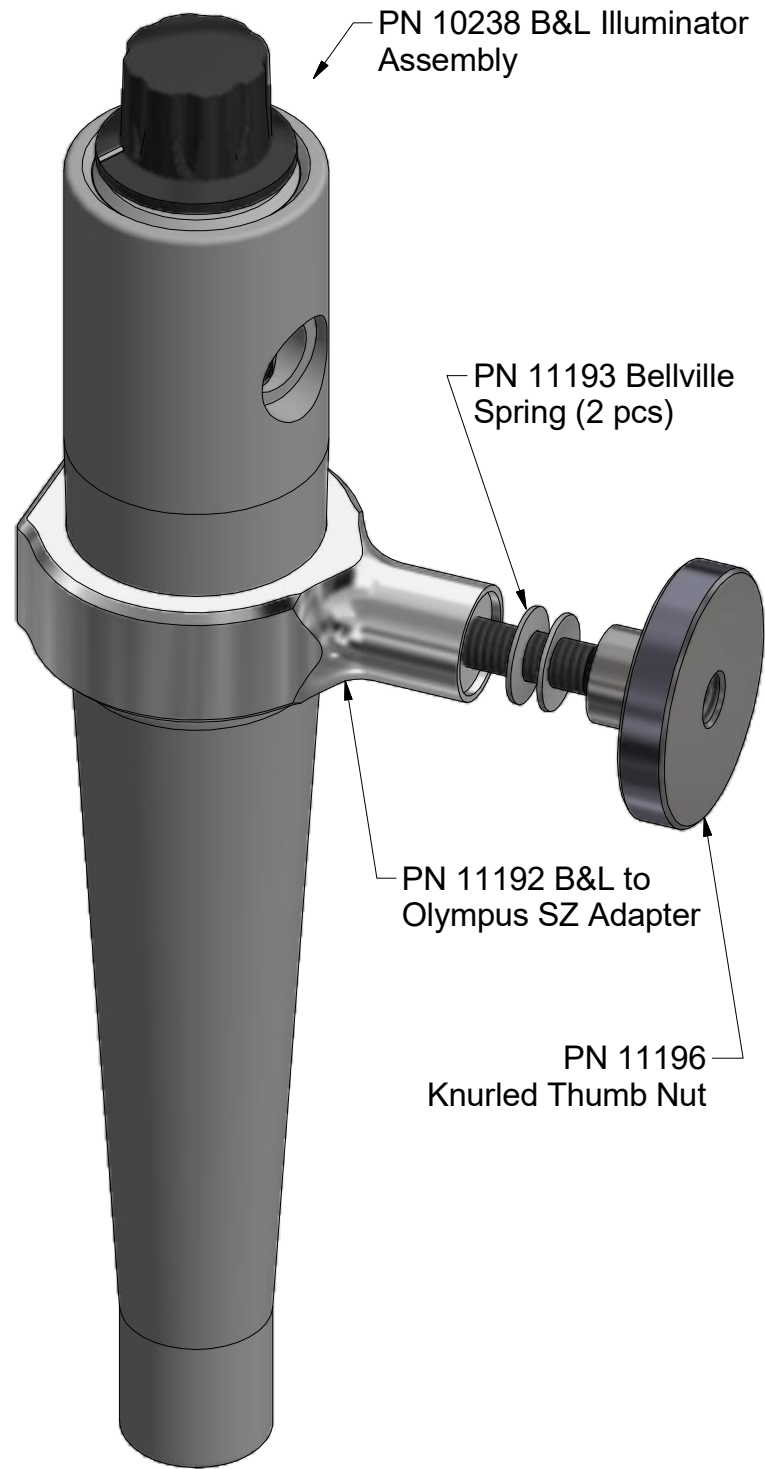


Nanodyne Replacement Illuminator for Olympus SZ Series Microscope: Included Items



Illuminator installed on microscope - microscope not included.



PN 10733 Power Supply - XP Power 5V 1A and PN 10734 Cable Assy 1.35mm ID x 3.5mm OD RA plug to USB A, 6 foot.

The illuminator may be powered by plugging the cable into the power supply provided, or into a suitable USB port on a computer or other device.

Power supplies subject to substitution without notice due to availability issues and changes in regulations.

Wayne Bonin	3/14/2019
PN 11304 Olympus SZ series Illuminator System	REV 1
SHEET 1 OF 1	