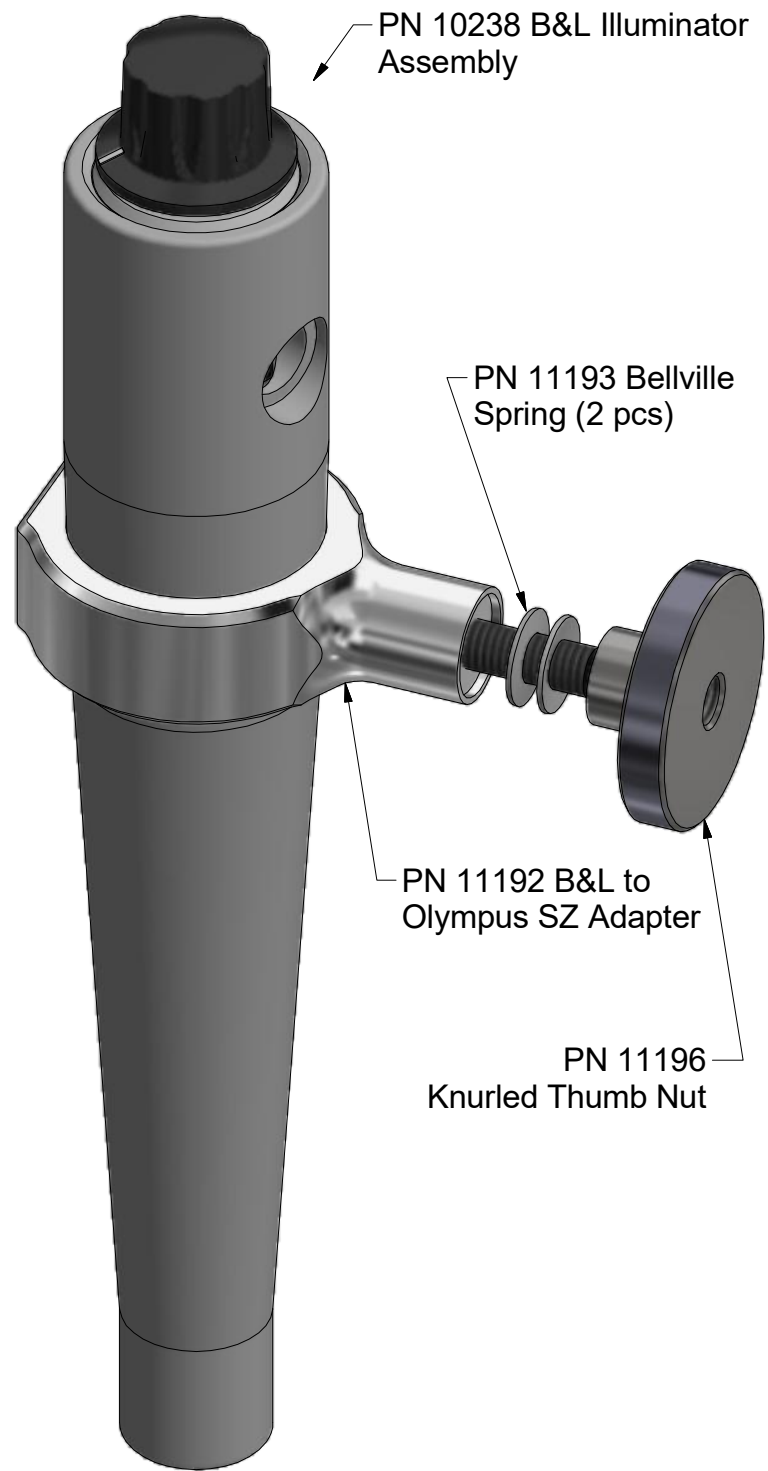


Nanodyne Replacement Illuminator for Olympus SZ Series Microscope Installation Instructions: Included Items



Illuminator installed on microscope - microscope not included.



PN 10733 Power Supply - XP Power 5V 1A and PN 10734 Cable Assy 1.35mm ID x 3.5mm OD RA plug to USB A, 6 foot.

The illuminator may be powered by plugging the cable into the power supply provided, or into a suitable USB port on a computer or other device.

Power supplies subject to substitution without notice due to availability issues and changes in regulations.

Wayne Bonin	3/14/2019
PN 11304 Olympus SZ series Illuminator System Installation Instructions	REV 1
SHEET 1	OF 4



Nanodyne Replacement Illuminator for Olympus SZ Series Microscope Installation Instructions: Step 1. Remove old lamp.



(1) Microscope with original illuminator.



(2) Remove the thumb screw to remove the illuminator.



(3) The illuminator has been removed.

(4) Disconnect/remove old wires.

If you do not have an illuminator in the microscope base you can just remove all of the old wiring. Do not leave any AC power line voltage connected.

If you do have an illuminator in the microscope base you can cut and insulate the wires that come out of the base and connect to the old illuminator. If you are familiar with electronics you could open the base and disconnect the wiring for the old upper illuminator. Do not attempt this if you are not skilled in electronics as you could create a shock or fire hazard.

Wayne Bonin	3/14/2019
PN 11304 Olympus SZ series Illuminator System Installation Instructions	REV 1
SHEET 2	OF 4



Nanodyne Replacement Illuminator for Olympus SZ Series Microscope Installation Instructions: Step 2. Install Nanodyne Adapter



**(1)** Place the adapter in the microscope as shown.

**(2)** Place the two bellville springs as shown.

**(3)** Screw the thumb nut onto the threaded stud.

If there is a lot of paint on the inside of the hole you may need to use some force to push the threaded stud through. Scraping off some of the paint inside the hole will also work.

Note that they have a slight conical shape. Place them so they touch each other in the center, not at the outer edge and definitely not so they contact each other everywhere.

Tighten it slightly so that the adapter stays in place but the angle can be adjusted after the illuminator is installed.

Note that the large hole through the adapter that accepts the illuminator has a slight taper. To hold the illuminator securely, be sure the larger diameter is up.

Wayne Bonin	3/14/2019
PN 11304 Olympus SZ series Illuminator System Installation Instructions	REV 1
SHEET 3 OF 4	



Nanodyne Replacement Illuminator for Olympus SZ Series Microscope Installation Instructions: Step 3. Install the Nanodyne Illuminator



(1) Place the illuminator in the adapter. A small force will seat it securely.



(2) Plug the power cord into the illuminator as shown. Plug the other (USB) end into the power supply. Plug the power supply into an AC outlet and the unit is ready to use. Brightness is controlled by the knob at the top. It is fully off when turned counter clockwise. There is no click off. Do not force it.

Note that this photo shows a prototype adapter. Your adapter is shown at left.

Wayne Bonin	3/14/2019
PN 11304 Olympus SZ series Illuminator System Installation Instructions	REV 1
SHEET 4	OF 4