

Nanodyne Replacement Illuminator for Olympus SZX-ILLK Microscope: Included Items



PN 10736 Rubber plug to block unused AC power receptacle.



Tape to secure wires.

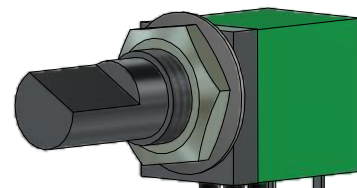
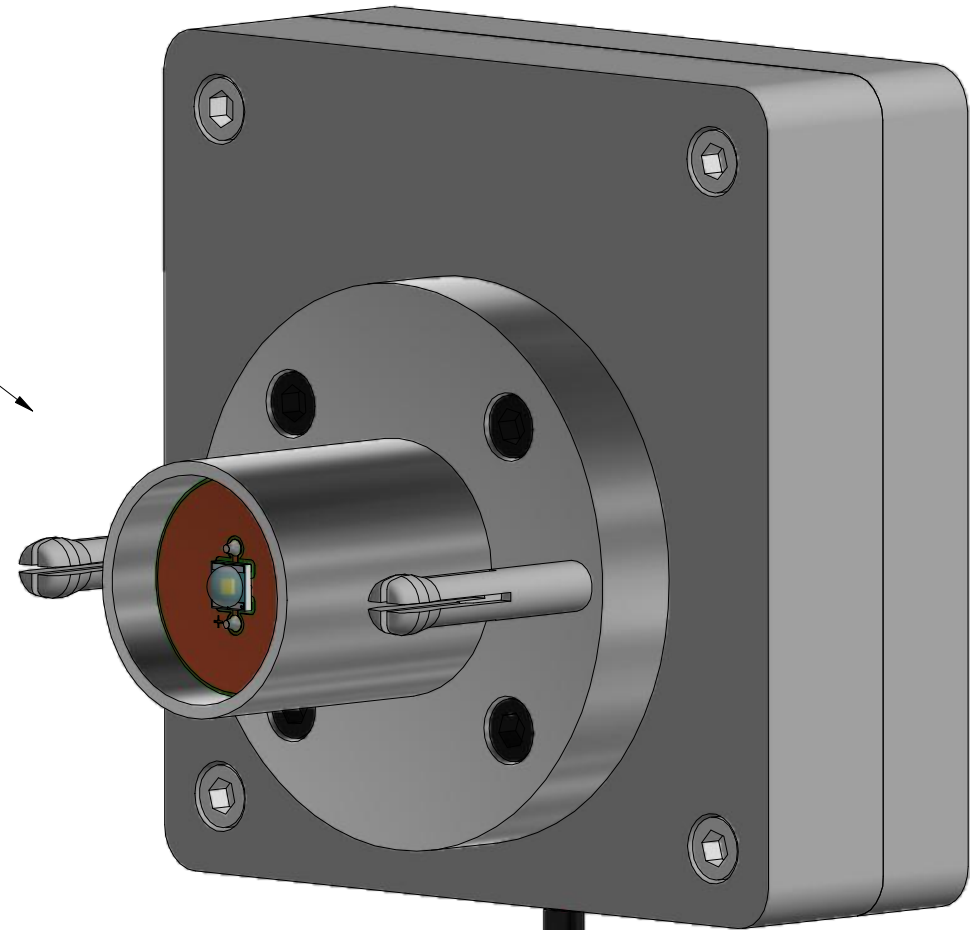


PN 10733 Power Supply - XP Power 5V 1A Fixed Blade US Input/USB Output and PN 10734 Cable Assy 1.35mm ID x 3.5mm OD RA plug to USB A, 6 foot.

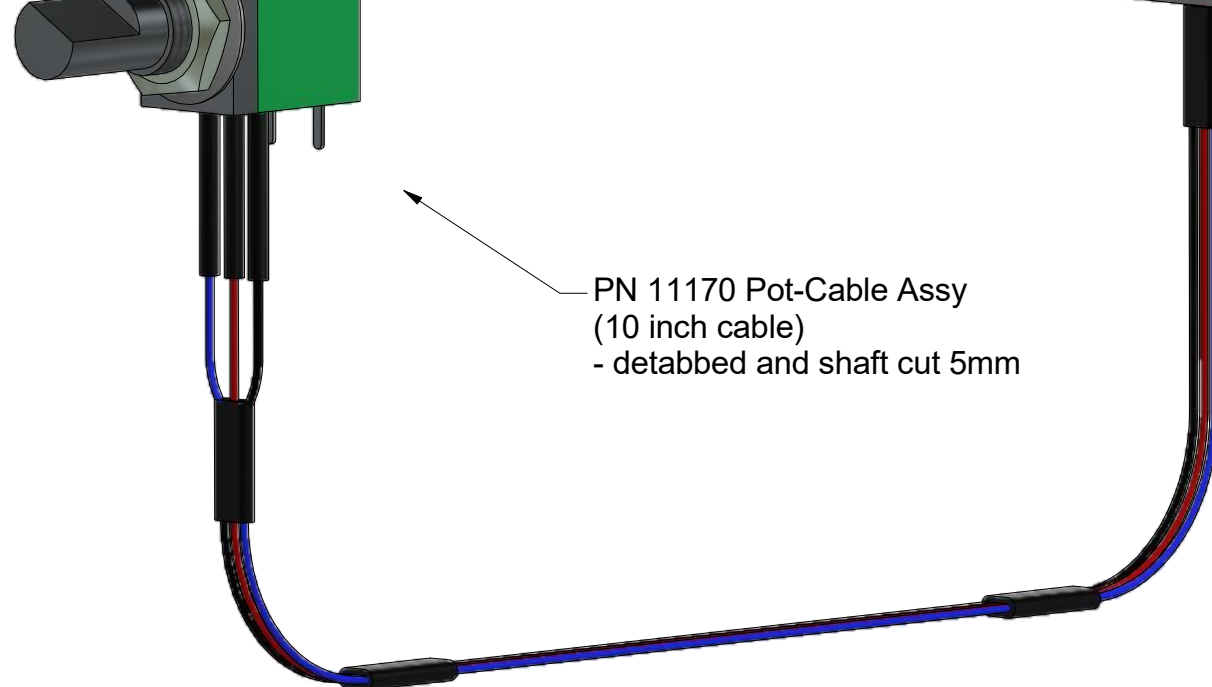
The illuminator may be powered by plugging the cable into the power supply provided, or into a suitable USB port on a computer or other device.

Power supplies subject to substitution without notice due to availability issues and changes in regulations.

PN 11269 Olympus SZX ILLK Illuminator Assy (different pin spacing from BX40)



PN 11170 Pot-Cable Assy (10 inch cable) - detabbed and shaft cut 5mm



Wayne Bonin	3/17/2019
PN 11270 Olympus SZX ILLK Illuminator System	REV 2
SHEET 1	OF 1