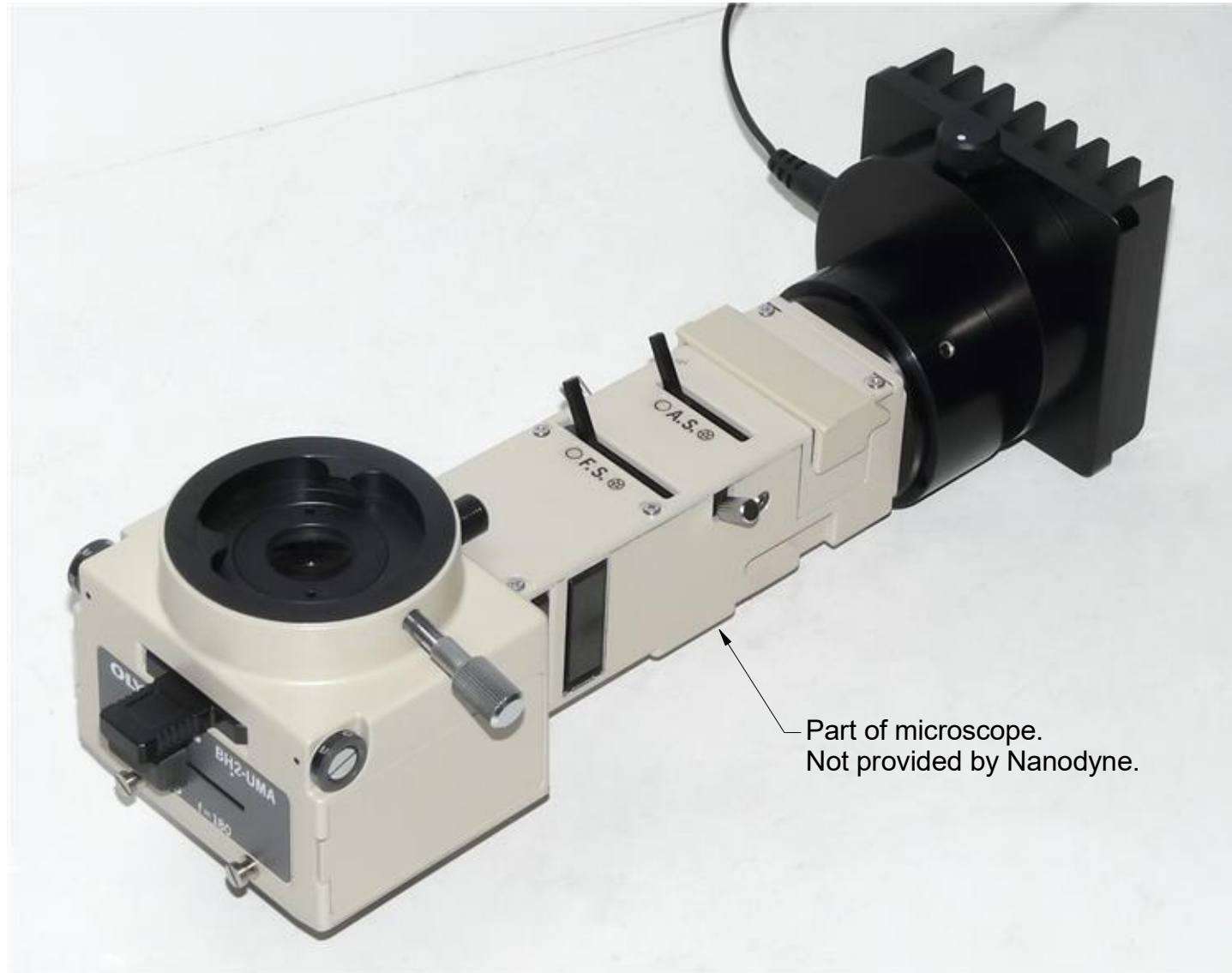


Nanodyne Replacement Illuminator for Olympus BH2-UMA: Included Items



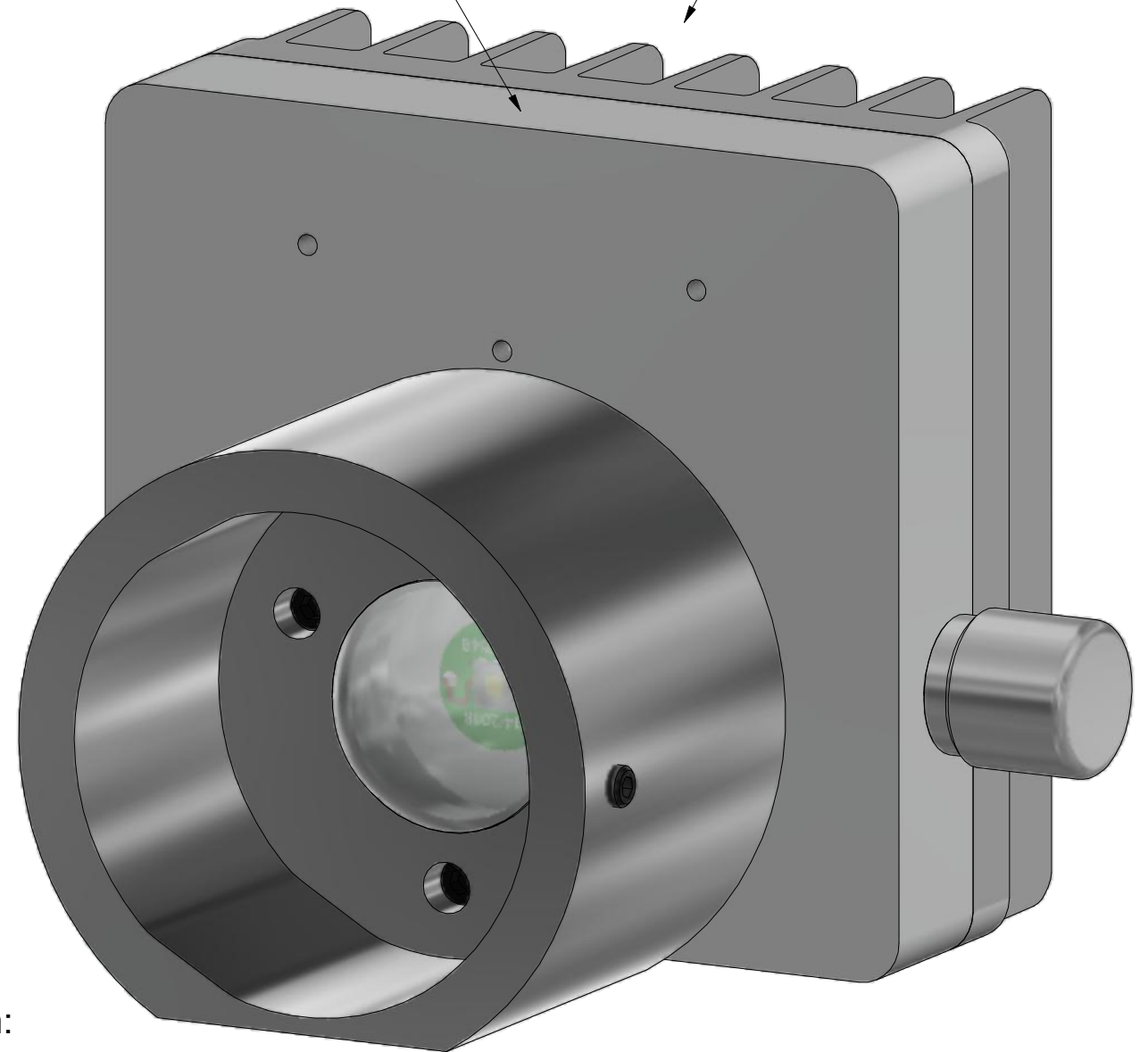
The above photo shows an older model illuminator. The current model is shown in the drawing at right.



PN 11163 Power Supply 5V 2.1A and PN 10734 Power Cable 1.35mm ID/3.5mm OD x USB A 6 ft.

Adjustment pot can also be located here.

PN 11026 BH2-UMA Illuminator Assy



Additional Items Included But Not Shown:

PN 10490 Hex Key 5/64 (for 8-32 set screw)

Note that the illuminator mounted adjustment potentiometer is standard on this unit. Ask about a remote adjustment pot if desired.

The adjustment may also be located on the top. Specify on the order if a top mounted adjustment is wanted.

Power supplies subject to change due to availability and regulations.

Wayne Bonin	4/23/2021
PN 11027 BH2-UMA Illuminator System	REV 3
SHEET 1 OF 1	