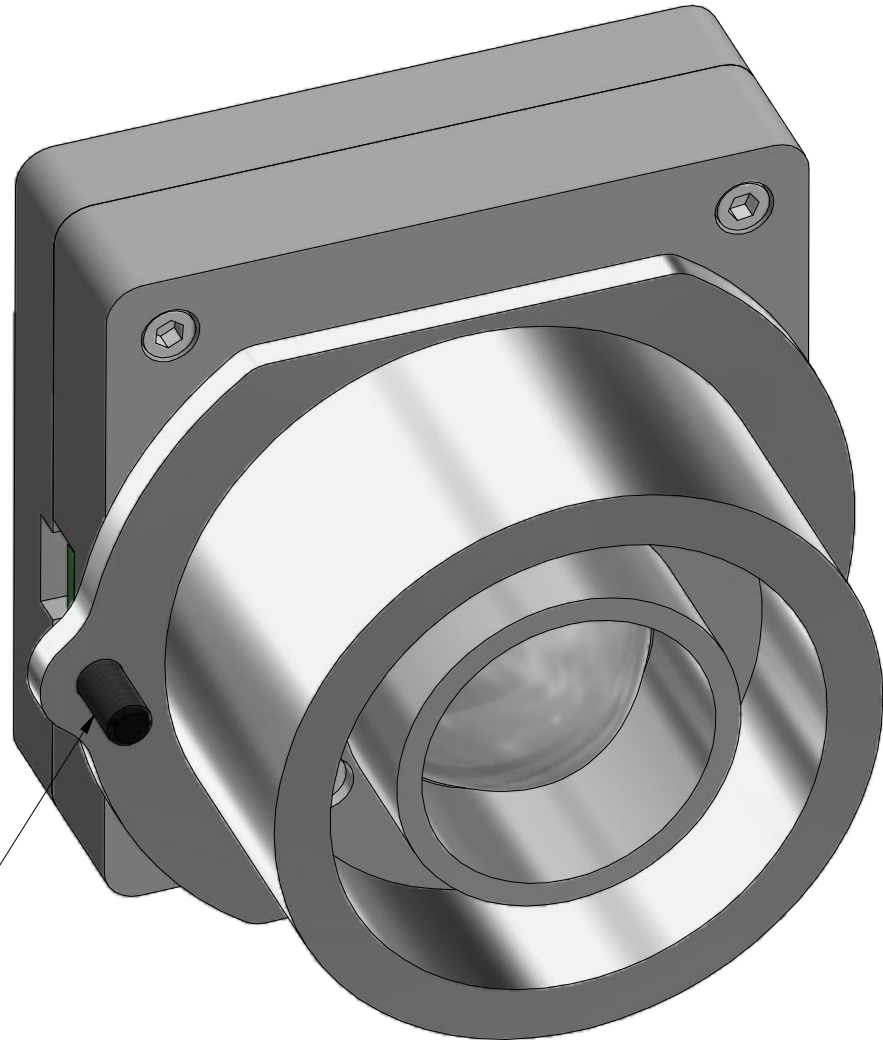


**Nanodyne Replacement Illuminator for Olympus BX43/46 Microscope (easy install): Included Items**

**Additional Items Included But Not Shown:**

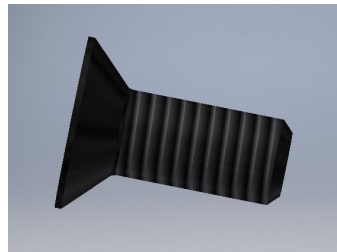
- PN 10490 Hex Key 5/64 inch (for set screw)
- PN 10566 Hex Key 2.5mm Long Arm (for M4 screw)
- PN 10747 Hex Key 3mm
- PN 10460 Hex Key 4mm



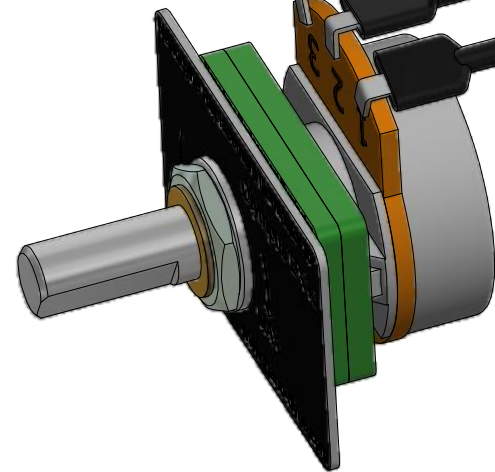
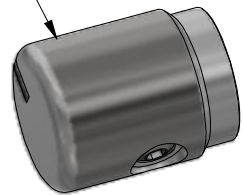
PN 11017  
Olympus BX43\_46  
Illuminator Assy

Note: diffuser in lens assy.

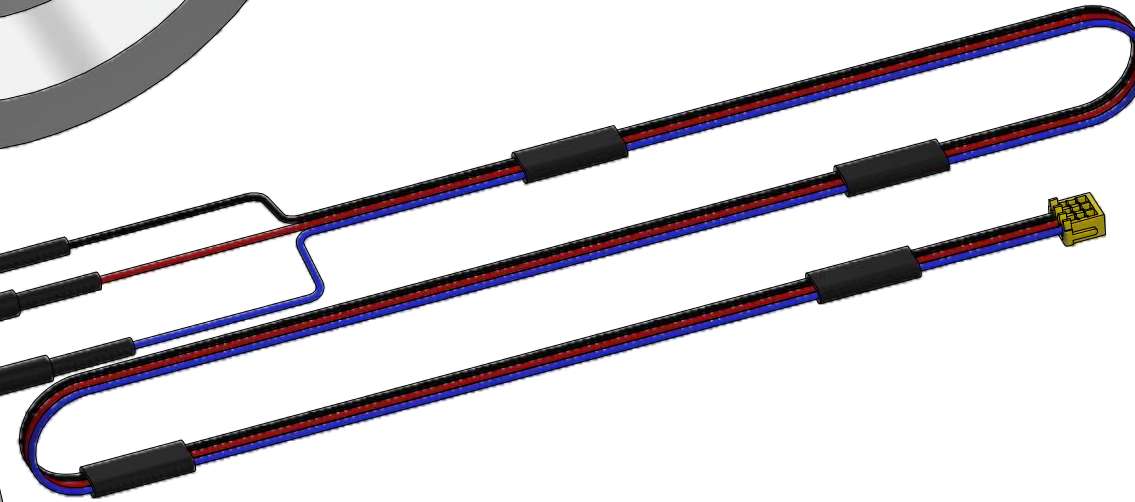
PN 12081 FHCS M4 x 0.7 x 10mm



PN 11054  
Knob 0.50 dia.



PN 11062  
Pot-Plate-Cable Assy  
BX43\_46 (easy install)  
(15 in cable)



3M VHB Tape to secure wires.



PN 10733 Power Supply - XP  
Power 5V 1A and PN 10734 Cable  
Assy 1.35mm ID x 3.5mm OD RA  
plug to USB A, 6 foot.

The illuminator may be powered by plugging the cable into the power supply provided, or into a suitable USB port on a computer or other device.

Power supplies are subject to substitution without notice due to availability issues and changes in regulations.

Wayne Bonin	3/10/2023
PN 11018 Olympus BX43_46 Illuminator System (easy install)	REV 5
SHEET 1 OF 1	