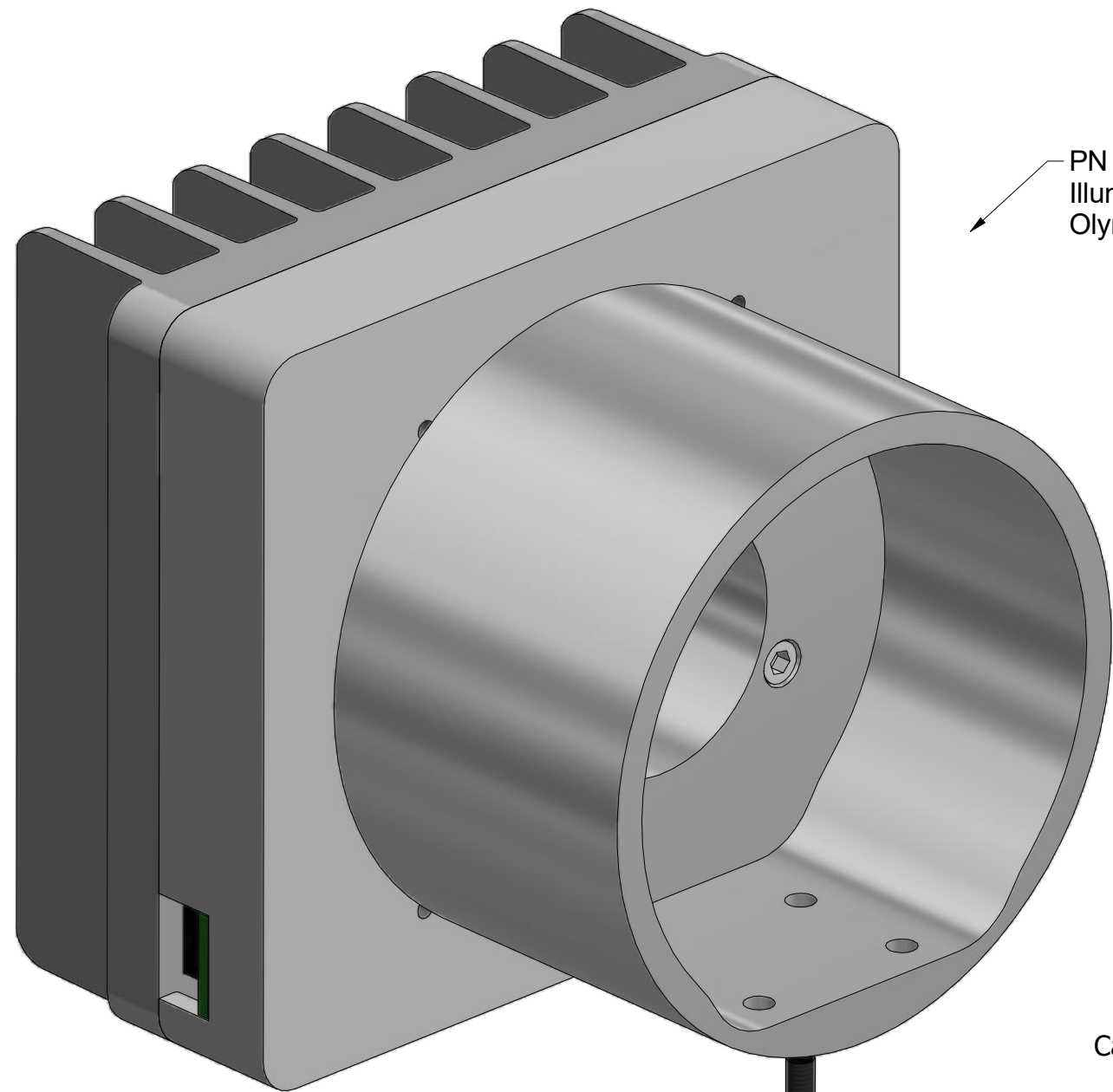


Nanodyne Replacement Illuminator for Olympus BHS Microscope: Included Items

Included Items Not Shown:

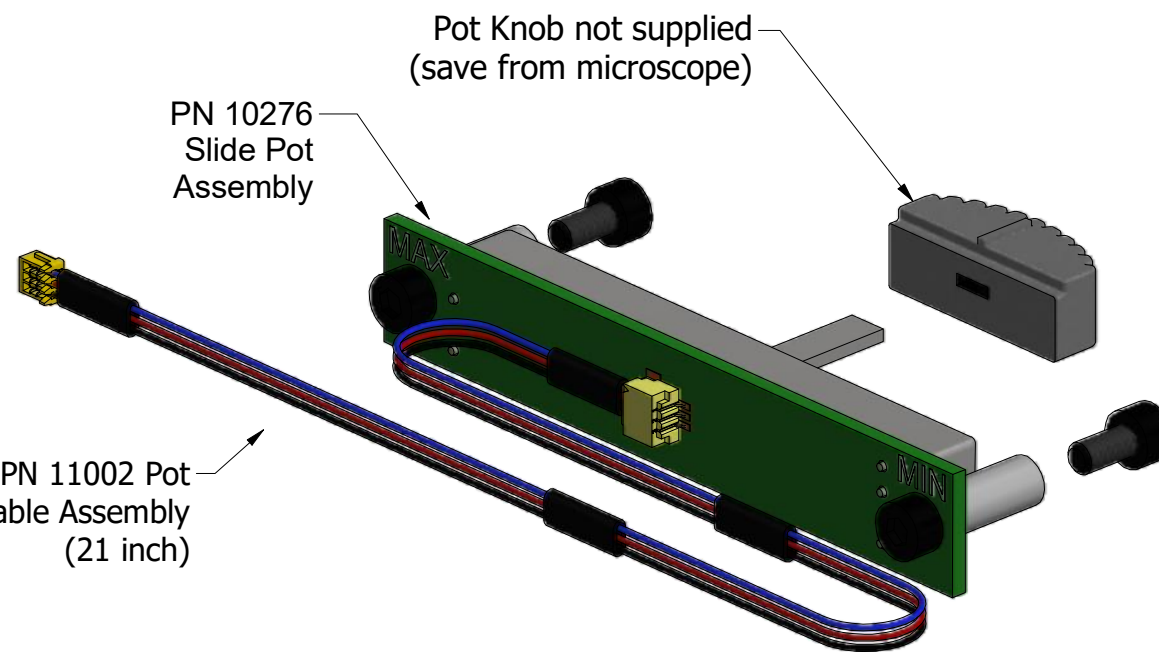
PN 10457 2.5mm Hex Key (for 3 mm screws to attach OEM collector lens)



The illuminator may be powered by plugging the cable into the power supply provided, or into a suitable USB port on a computer or other device.



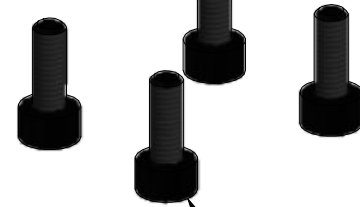
PN 11163 Power Supply 5V 2.1A and PN 10734 Power Cable 1.35mm ID/3.5mm OD x USB A 6 ft.



Tape to secure wires.



PN 10736 Rubber plug to block unused AC power receptacle.



PN 10275 SHCS M3 x 0.5 x 8mm (4 pcs) (to attach OEM collector lens to illuminator)

Power supplies are subject to substitution without notice due to availability issues and changes in regulations.

Wayne Bonin	2/9/2023	
PN 10476 Olympus BHS Illuminator System		REV 6
	SHEET 1	OF 1