

Nanodyne Replacement Illuminator for Olympus BX40 Microscope Installation Instructions: Included Items

Verify inclusion of all items shown here.



Tape to secure wires.



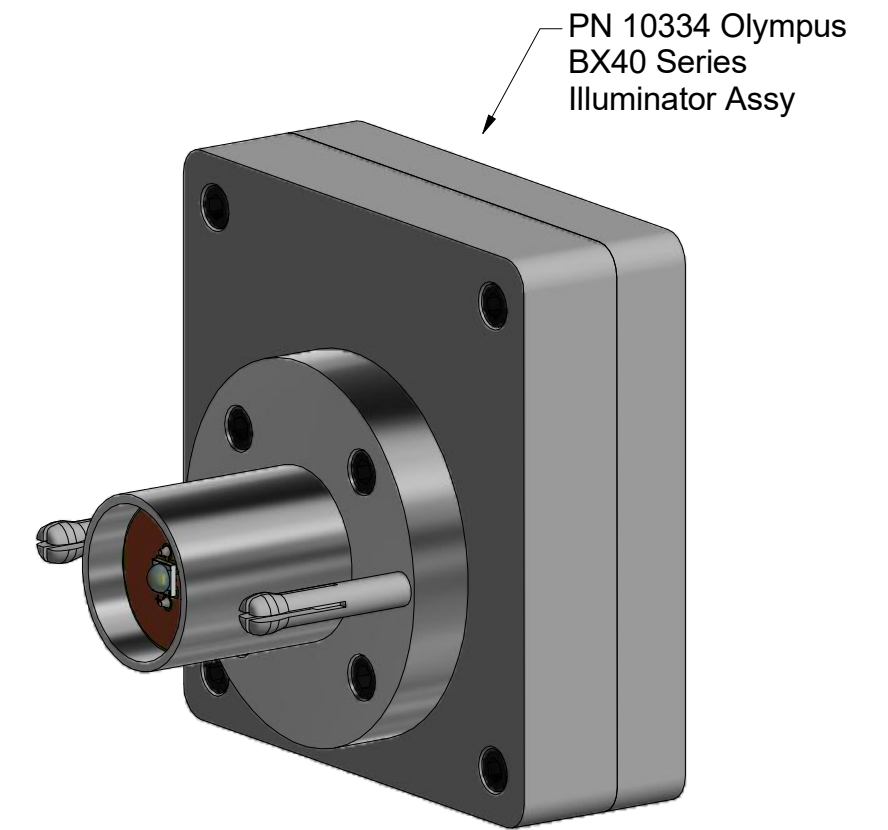
PN 10736 Rubber plug to block unused AC power receptacle.



PN 10733 Power Supply and PN 10734 Cable Assy 1.35mm ID x 3.5mm OD RA plug to USB A 6 foot

The illuminator may be powered by plugging the cable into the power supply provided, or into a suitable USB port on a computer or other device.

Power supplies subject to substitution without notice due to availability issues and changes in regulations.



PN 10908 BX40 Pot Plate - Cable Assy (9 inch long cable)

Wayne Bonin	3/11/2019
PN 10450 Olympus BX40 Illuminator Installation Instructions	REV 4
SHEET 1 OF 4	

Nanodyne Replacement Illuminator for Olympus BX40 Microscope Installation Instructions: Step 1. Remove Old Illuminator, Back Cover, and Install Nanodyne Plate



Photo 1a

Remove the OEM illuminator from the microscope, and remove the back cover of the microscope to expose the plate with the intensity adjust circuit (green printed circuit board in photo above right) attached to it. The plate is held by a tape-like adhesive coating (the yellow color on the back of the plate visible in the photo at right). Press or pry out the original plate (along with the Printed circuit board). Disconnect or cut the wires as required.

Original intensity control plate.
(to be removed)

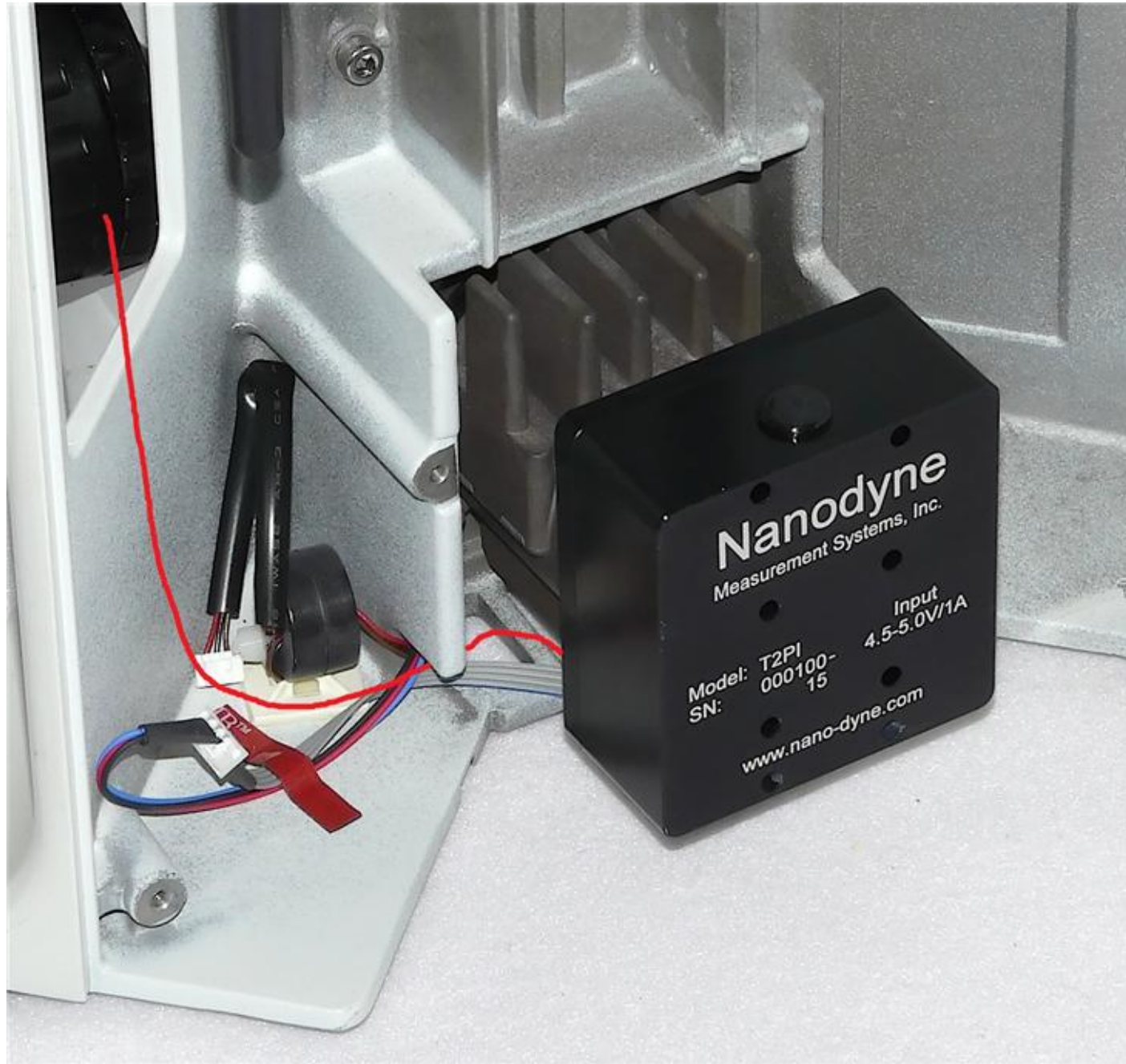


Photo 1b

The Nanodyne replacement plate (PN 10908 shown on page 1) is also held in with adhesive tape. Check the mounting surface after removing the original plate, and remove any residual tape that could interfere with adhesion of the new plate. Peel off the release film protecting the adhesive on the Nanodyne plate, and press it into place.

Wayne Bonin	3/11/2019
PN 10450 Olympus BX40 Illuminator Installation Instructions	REV 4
SHEET 2 OF 4	

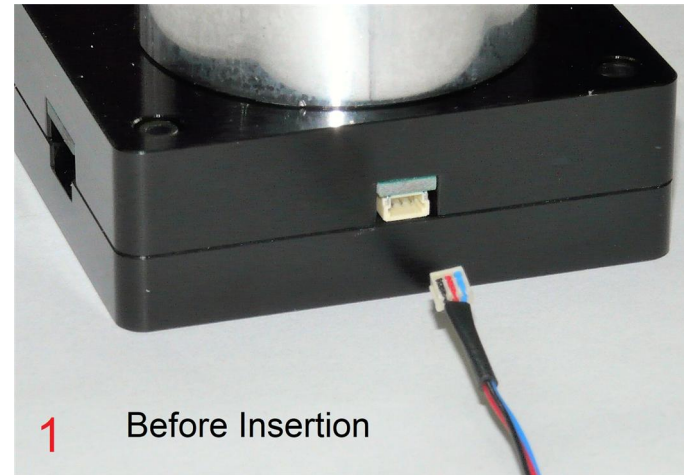
Nanodyne Replacement Illuminator for Olympus BX40 Microscope Installation Instructions: Step 2. Connect the Pot Cable to the Illuminator



Plug the Nanodyne illuminator into the receptacle in the same way as the original.

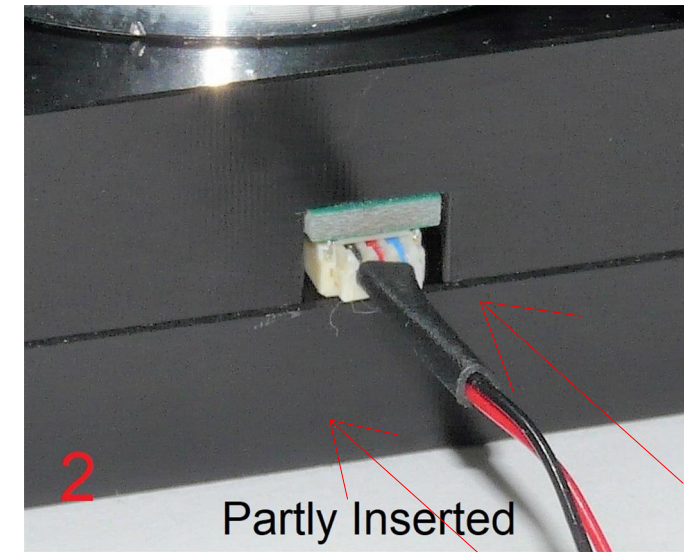
The red line on the above photo shows the desired path of the intensity adjust cable, going from the pot plate to the socket in the bottom of the illuminator. Secure the cable in place with the tape that is provided.

NOTE - This photo shows a BX41 installation. That is why the pot cable disappears into the microscope, rather than going to the pot plate of the BX40. The cable in the above photo is an older version that was permanently connected to the illuminator. The current cable is shown in the photos to the right.



1 Before Insertion

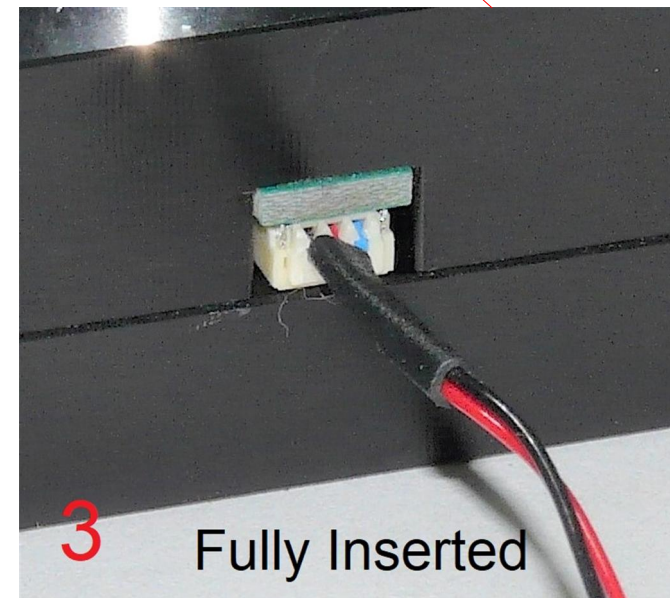
Photo 1 shows the pot cable plug and the socket at the bottom of the illuminator.



2 Partly Inserted

Photo 2 shows how far the properly aligned plug will go into the socket with minimal pressure applied while holding it by the wires.

The socket cannot be fully engaged by pushing on the pot cable, as the wires would just collapse.



3 Fully Inserted

Photo 3 shows the plug fully engaged.

If you have good finger/thumb nails use them to push the plug into the socket. Otherwise use something like a small tweezers or (very) small screwdriver.

If you want to pull the plug out, pull the wire straight out by firmly gripping the black heat shrink tubing.

Wayne Bonin	3/11/2019
PN 10450 Olympus BX40 Illuminator Installation Instructions	REV 4
SHEET 3 OF 4	

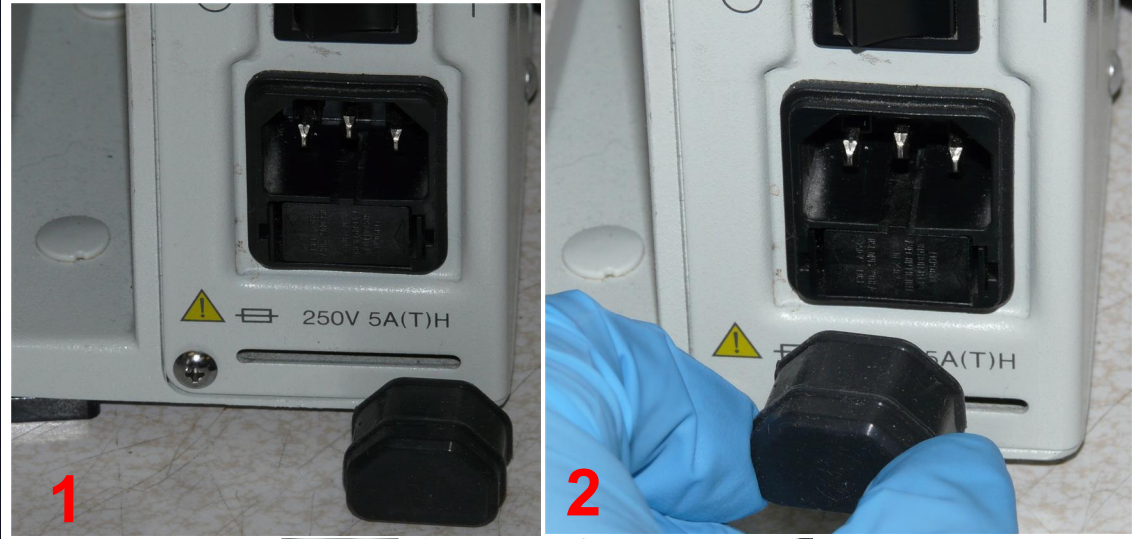
Nanodyne Replacement Illuminator for Olympus BX40 Microscope Installation Instructions: Step 3. Install Back Cover and Nanodyne Illuminator



Photo with old cable - new cable shown on sheet 3.

NOTE - This photo shows older cable, which was permanently attached to the illuminator and plugged into the pot plate by a connector. The new cable comes attached to the pot plate and plugs into the bottom of the illuminator.

(No microscope was available for photos of the installation with the new cable)



Replace the back cover of the microscope.

Install PN 10736 rubber plug into the AC power receptacle to deter application of obsolete and potentially dangerous voltage to the microscope.

Plug in the power supply and the installation is complete.

Wayne Bonin	3/11/2019
PN 10450 Olympus BX40 Illuminator Installation Instructions	REV 4
SHEET 4 OF 4	