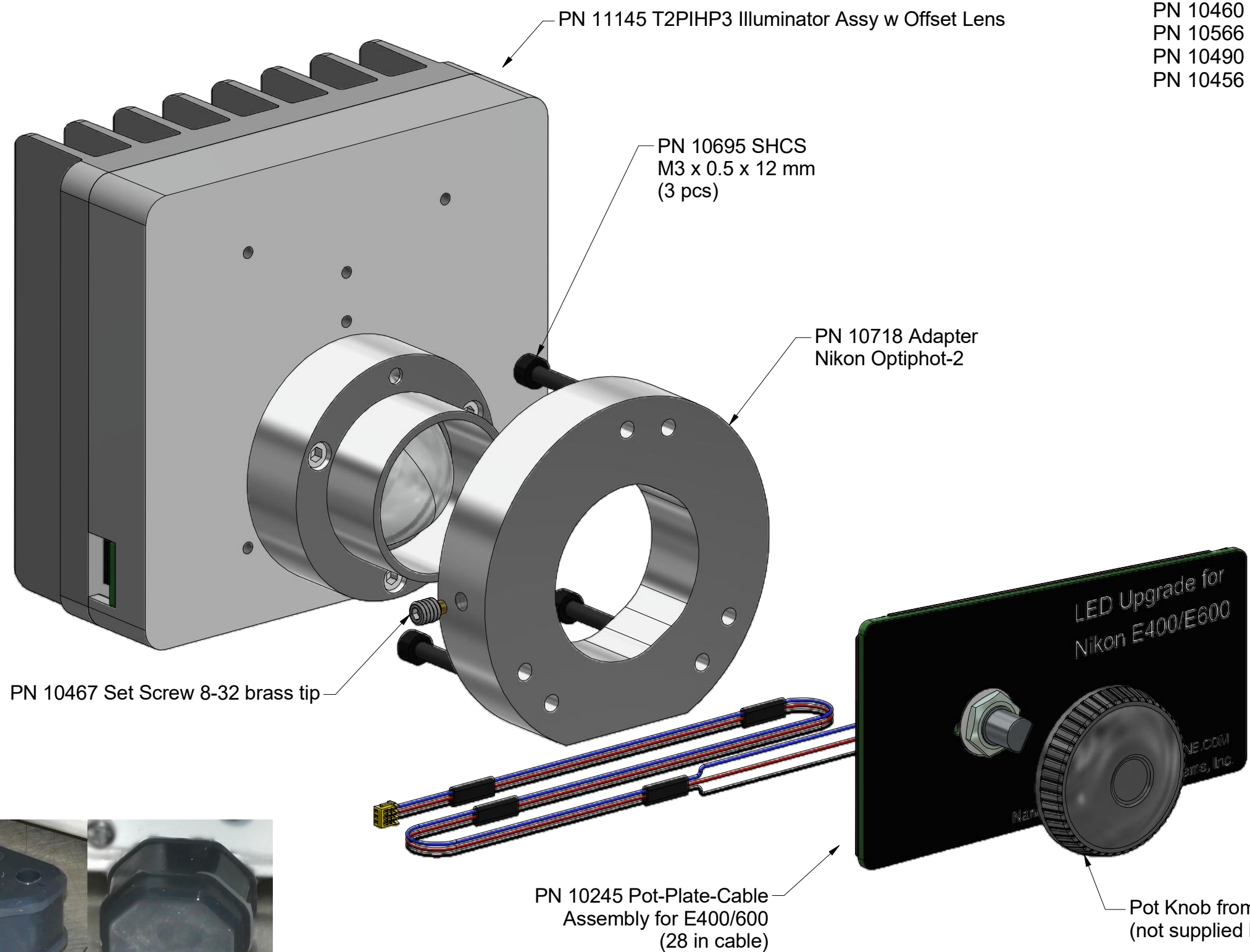


Nanodyne Replacement Illuminator for Nikon ME600: Included Items

Additional Items Included But Not Shown:

- PN 10460 Hex Key 4mm (to open microscope base)
- PN 10566 Hex Key 2.5mm (to attach adapter to microscope)
- PN 10490 Hex Key 5/64 inch (to attach illuminator to adapter)
- PN 10456 Hex Key 1.5mm (for pot knob)



PN 11163 Power Supply 5V 2.1A and
PN 10734 Power Cable 1.35mm
ID/3.5mm OD x USB A 6 ft.

The illuminator may be powered by plugging the cable into the power supply provided, or into a suitable USB port on a computer or other device.



3M VHB tape to secure pot cable



PN 10736 Rubber plug to block unused
AC power receptacle.

NOTE - for better appearance when installing the pot knob: Back off the set screw so it fits on the round part of the shaft, rather than the flat, to allow it to fit closer to the plate.

Power supplies are subject to substitution without notice due to availability issues and changes in regulations.

Han-Seung Yang	10/1/2021	
PN 12100 Nikon ME600 Illuminator System		REV 1
	SHEET 1	OF 1