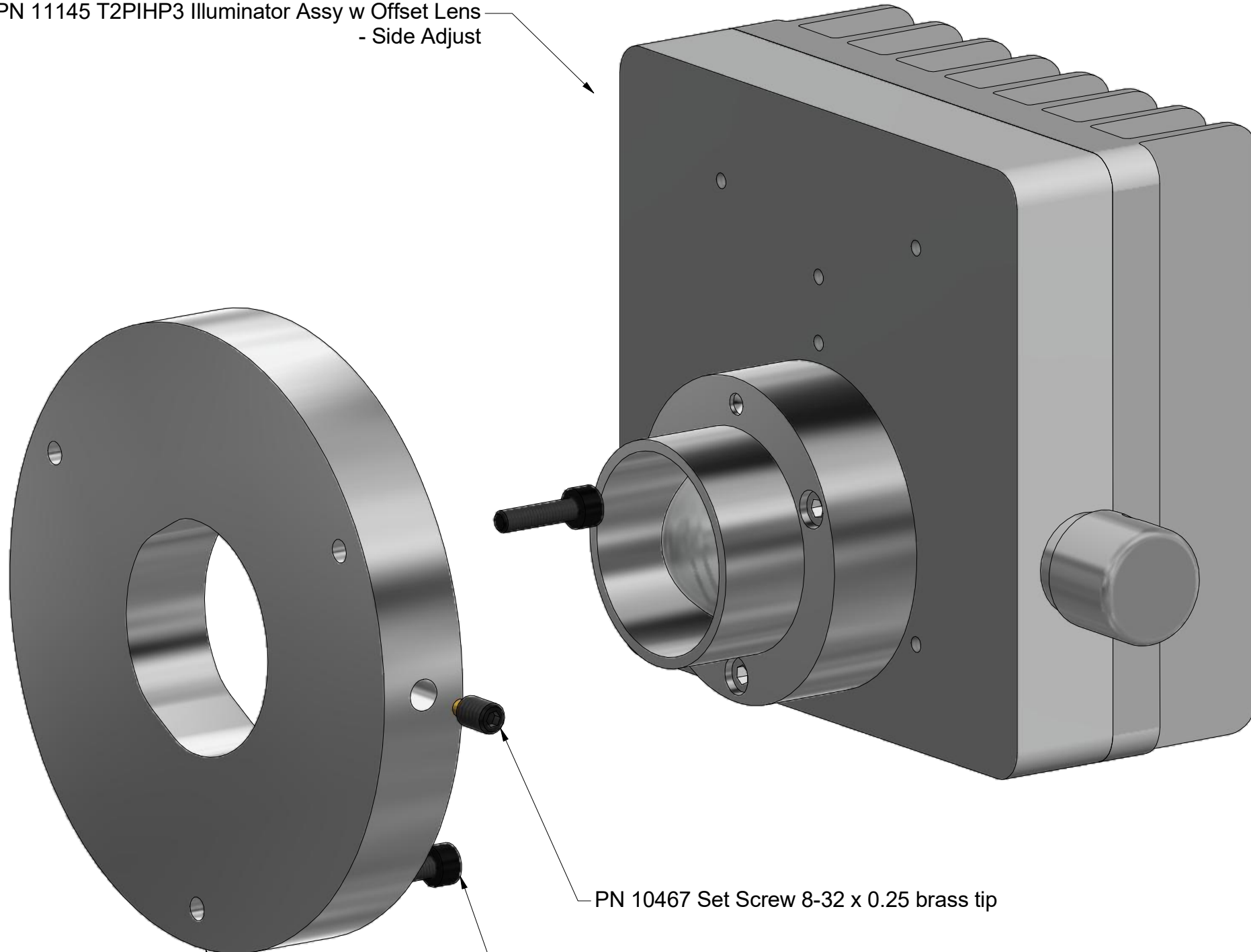


Nanodyne Replacement Illuminator for Nikon Epiphot 100W Microscope - Included Items

PN 11145 T2PIHP3 Illuminator Assy w Offset Lens
- Side Adjust



PN 10467 Set Screw 8-32 x 0.25 brass tip

PN 10695 SHCS M3 x 0.5 x 12mm
(3 pcs)

PN 11856 Nikon Epiphot 100W Adapter

Additional Items Included But Not Shown:

PN 10490 Hex Key 5/64 inch for set screw
PN 10566 Hex Key 2.5mm for M3 screw (to attach adapter to microscope)

The illuminator may be powered by plugging the cable into the power supply provided, or into a suitable USB port on a computer or other device.



PN 11163 Power Supply 5V 2.1A and
PN 10734 Power Cable 1.35mm
ID/3.5mm OD x USB A 6 ft.



Tape to secure wires.



PN 10736 Rubber plug to block
unused AC power receptacle.

Power supplies are subject to substitution without notice due to availability issues and changes in regulations.

Han-Seung Yang 3/22/2021	
PN 12006 Nikon Epiphot 100W Illuminator System	REV 1
SHEET 1 OF 1	