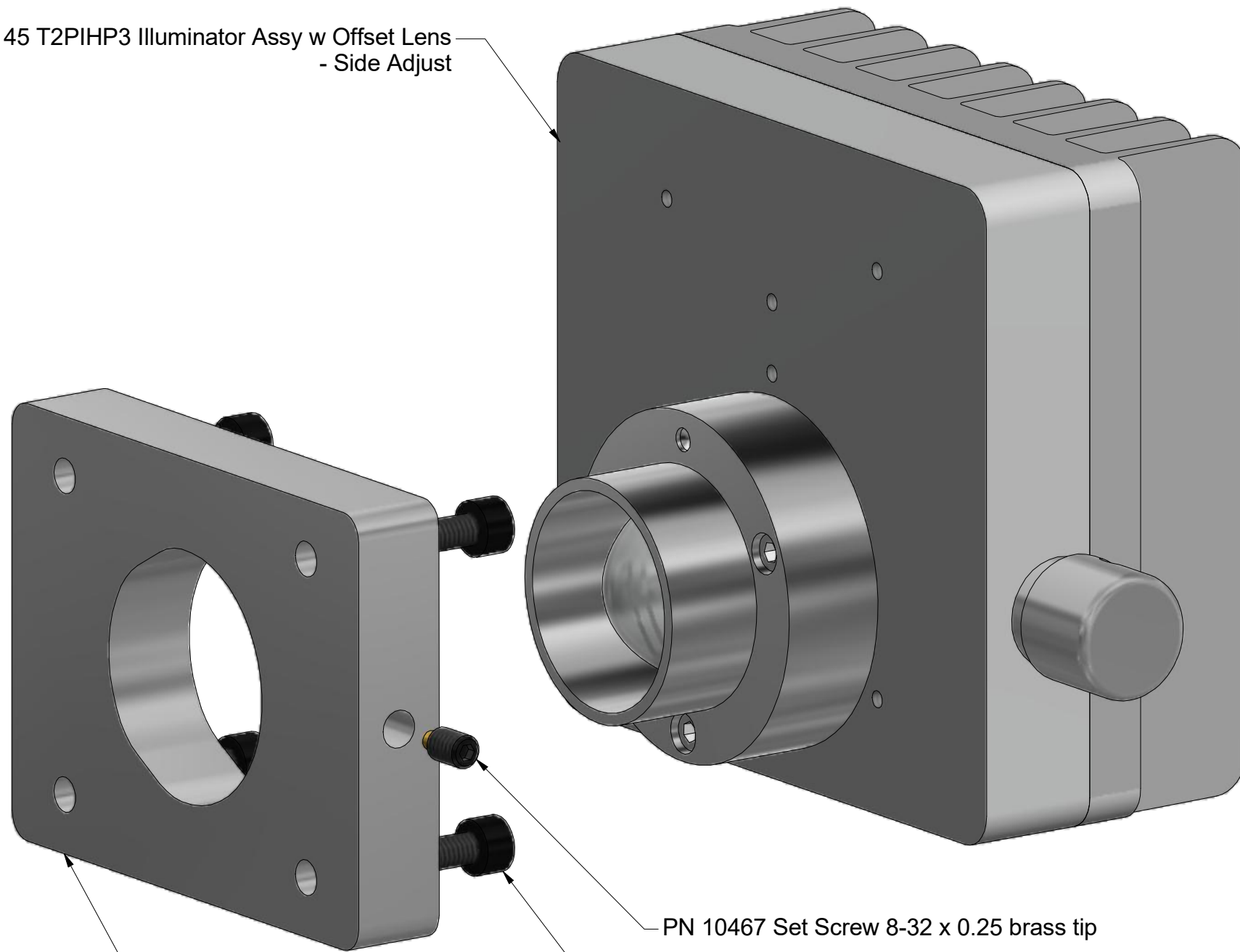


Nanodyne Replacement Illuminator for Nikon Metaphot / Microphot FX(FXA) Microscope - Included Items

PN 11145 T2PIHP3 Illuminator Assy w Offset Lens - Side Adjust



PN 10467 Set Screw 8-32 x 0.25 brass tip

PN 11021 SHCS M4 x 0.7 x 10mm (4 pcs)

PN 12004 Nikon Metaphot-Microphot FX(FXA) Adapter Plate

Additional Items Included But Not Shown:

PN 10490 Hex Key 5/64 inch for set screw
 PN 10747 Hex Key 3mm for M4 screws

The illuminator may be powered by plugging the cable into the power supply provided, or into a suitable USB port on a computer or other device.



PN 11163 Power Supply 5V 2.1A and
 PN 10734 Power Cable 1.35mm ID/3.5mm OD x USB A 6 ft.



Tape to secure wires.



PN 10736 Rubber plug to block unused AC power receptacle.

Power supplies are subject to substitution without notice due to availability issues and changes in regulations.

| | | |
|----------------------------|-----------|-----|
| Han-Seung Yang | 3/15/2021 | REV |
| PN 12005-Nikon | | 1 |
| Metaphot-Microphot | | |
| FX(FXA) Illuminator System | | |
| SHEET 1 OF 1 | | |