

Nanodyne Replacement Illuminator for Nikon Metaphot / Microphot FX(FXA) Microscope (Upper) - Included Items

Additional Items Included But Not Shown:

PN 11145 T2PIHP3 Illuminator Assy w Offset Lens - Side Adjust

PN 10490 Hex Key 5/64 inch for set screw
PN 10747 Hex Key 3mm for M4 screws

The illuminator may be powered by plugging the cable into the power supply provided, or into a suitable USB port on a computer or other device.



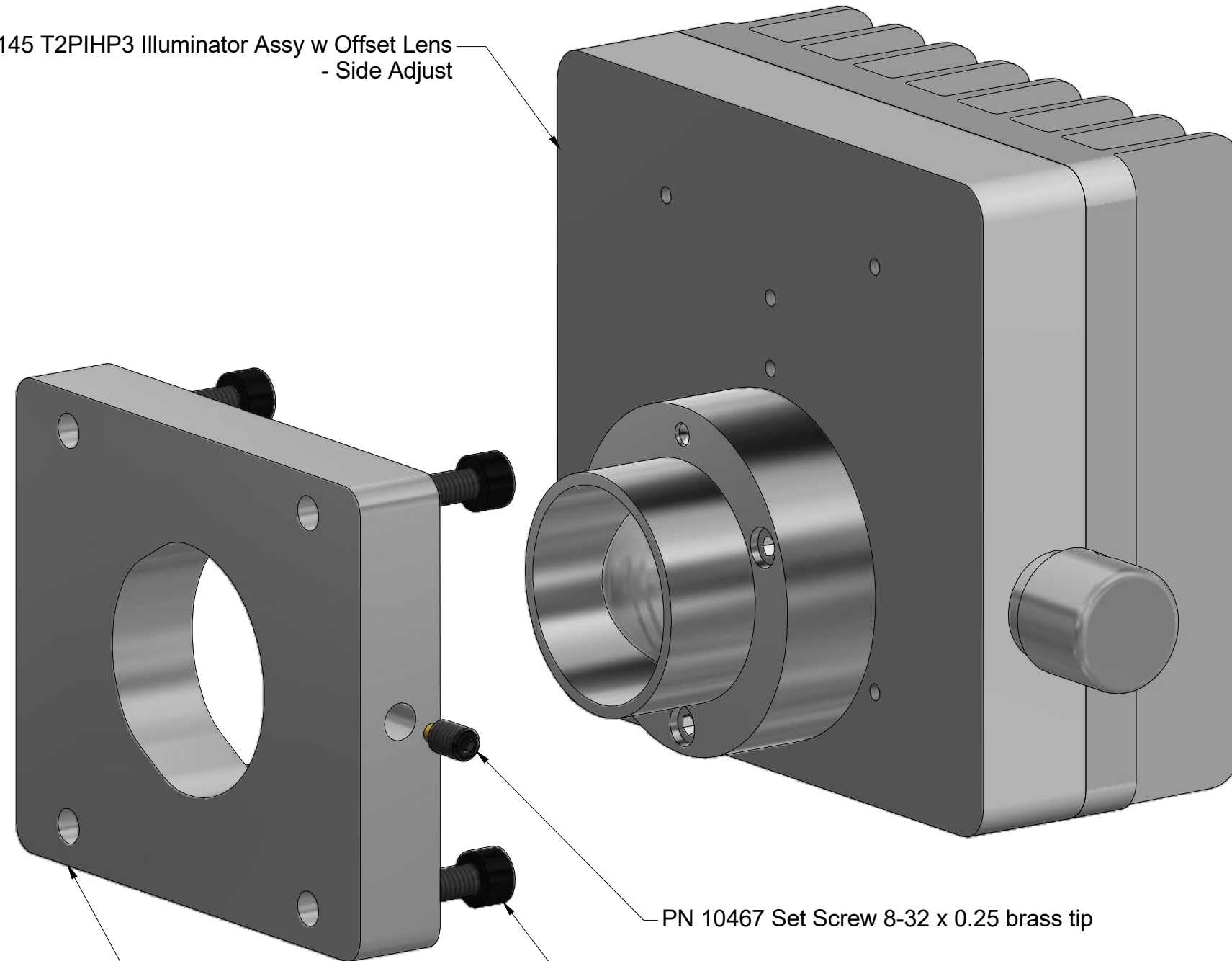
PN 11163 Power Supply 5V 2.1A and
PN 10734 Power Cable 1.35mm ID/3.5mm OD x USB A 6 ft.



Tape to secure wires.



PN 10736 Rubber plug to block unused AC power receptacle.



PN 10467 Set Screw 8-32 x 0.25 brass tip

PN 11021 SHCS M4 x 0.7 x 10mm (4 pcs)

PN 12004 Nikon Metaphot-Microphot FX(FXA) Adapter Plate - Upper

Power supplies are subject to substitution without notice due to availability issues and changes in regulations.

Han Seung Yang 6/1/2021		REV
PN 12005 Nikon		1
Metaphot-Microphot FX(FXA) Illuminator System		
- Upper	SHEET 1 OF 1	