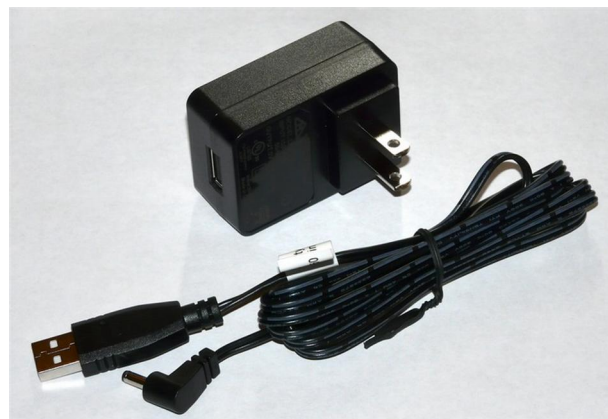
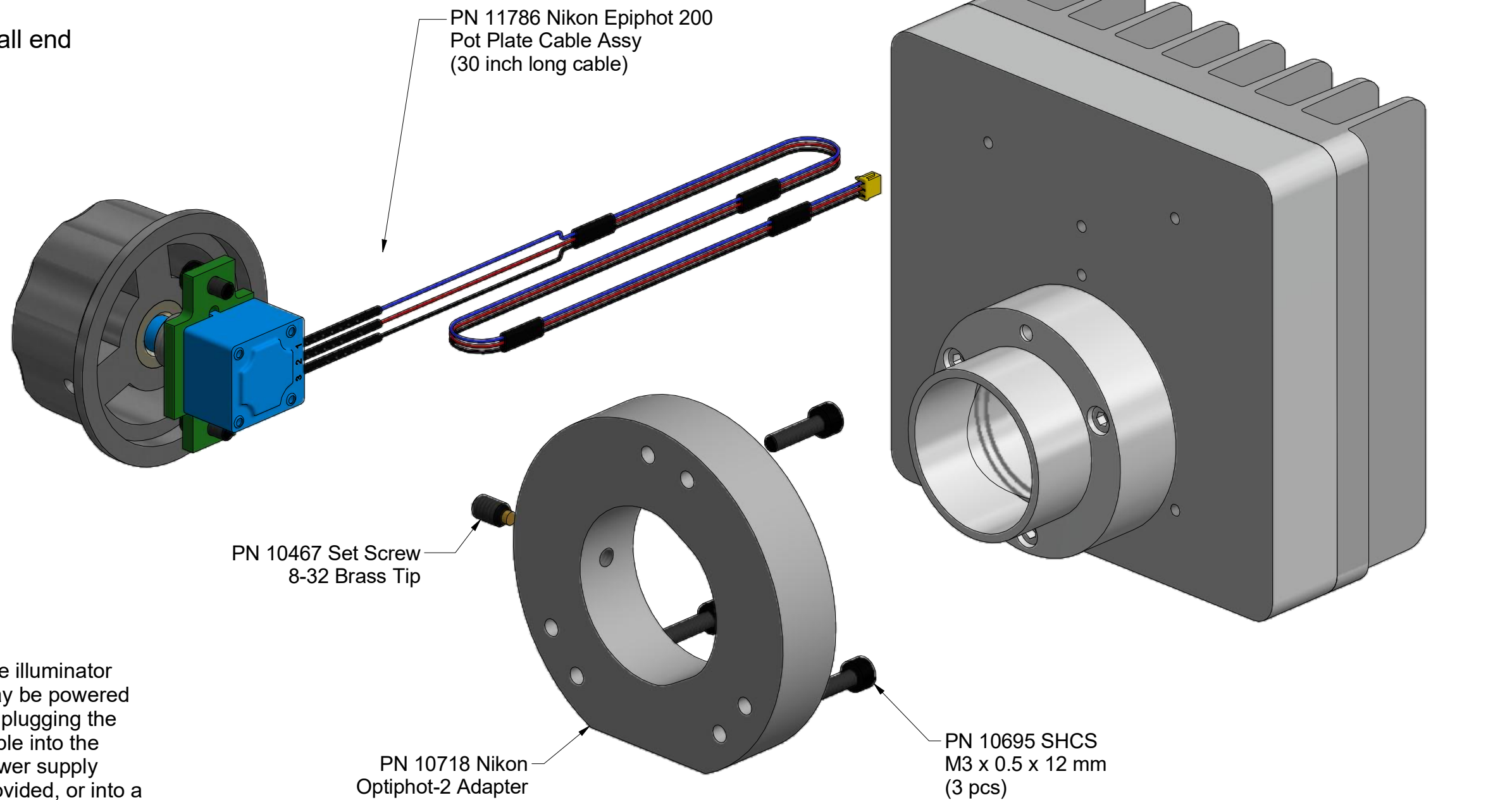


Nanodyne Replacement Microscope Illuminator for Nikon Epiphot 200 100W: Included Items

Additional Items Included But Not Shown:

- PN 10490 Hex Key 5/64 inch
- PN 10566 Hex Key 2.5mm long arm ball end



PN 11163 Power Supply 5V 2.1A and PN 10734 Power Cable 1.35mm ID/3.5mm OD x USB A 6 ft.

The illuminator may be powered by plugging the cable into the power supply provided, or into a suitable USB port on a computer or other device.

(USB ports may not allow operation at full power)

Power supplies are subject to substitution without notice due to availability issues and changes in regulations.



Tape to secure wires.

Han-Seung Yang		11/9/2020
PN 11784 Nikon Epiphot 200 100W Illuminator System		REV 2
SHEET 1		OF 1