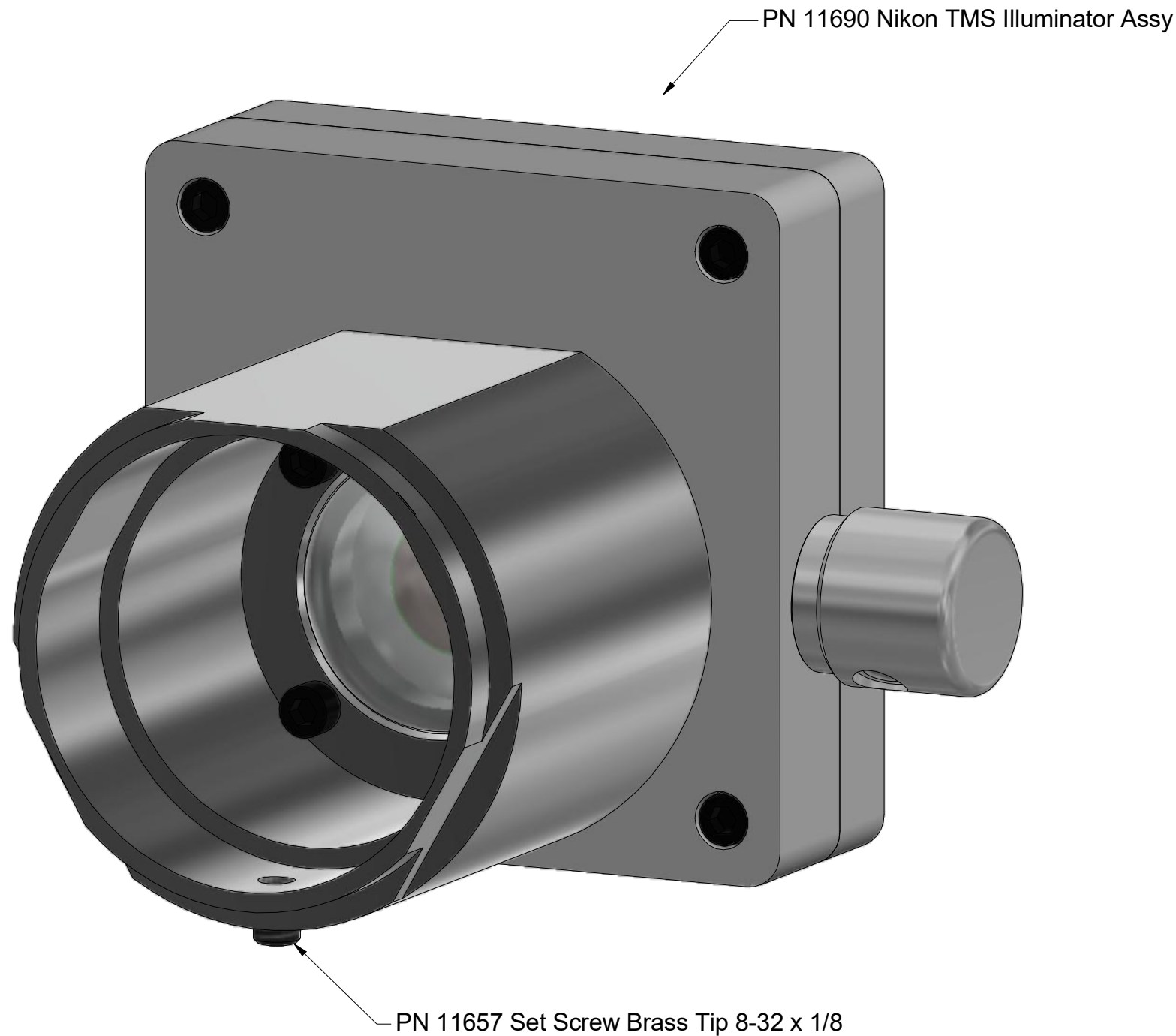


**Nanodyne Replacement Illuminator for Nikon TMS Microscope - Included Items**

\*Note that the illuminator mounted adjustment potentiometer is standard on this unit. Ask about a remote adjustment pot if desired.

**Additional Items Included But Not Shown:**

PN 10337 Hex Key 2mm Short Arm (for set screw)



PN 10733 Power Supply - XP Power 5V 1A and PN 10734 Cable 6 foot USB A to 1.35mm ID/3.5mm OD RA Barrel Plug.

The illuminator may be powered by plugging the cable into the power supply provided, or into a suitable USB port on a computer or other device.

Power supplies subject to substitution without notice due to availability issues and changes in regulations.

Han-Seung Yang	7/7/2020
PN 11691 Nikon TMS Illuminator System	REV 1
SHEET 1 OF 1	