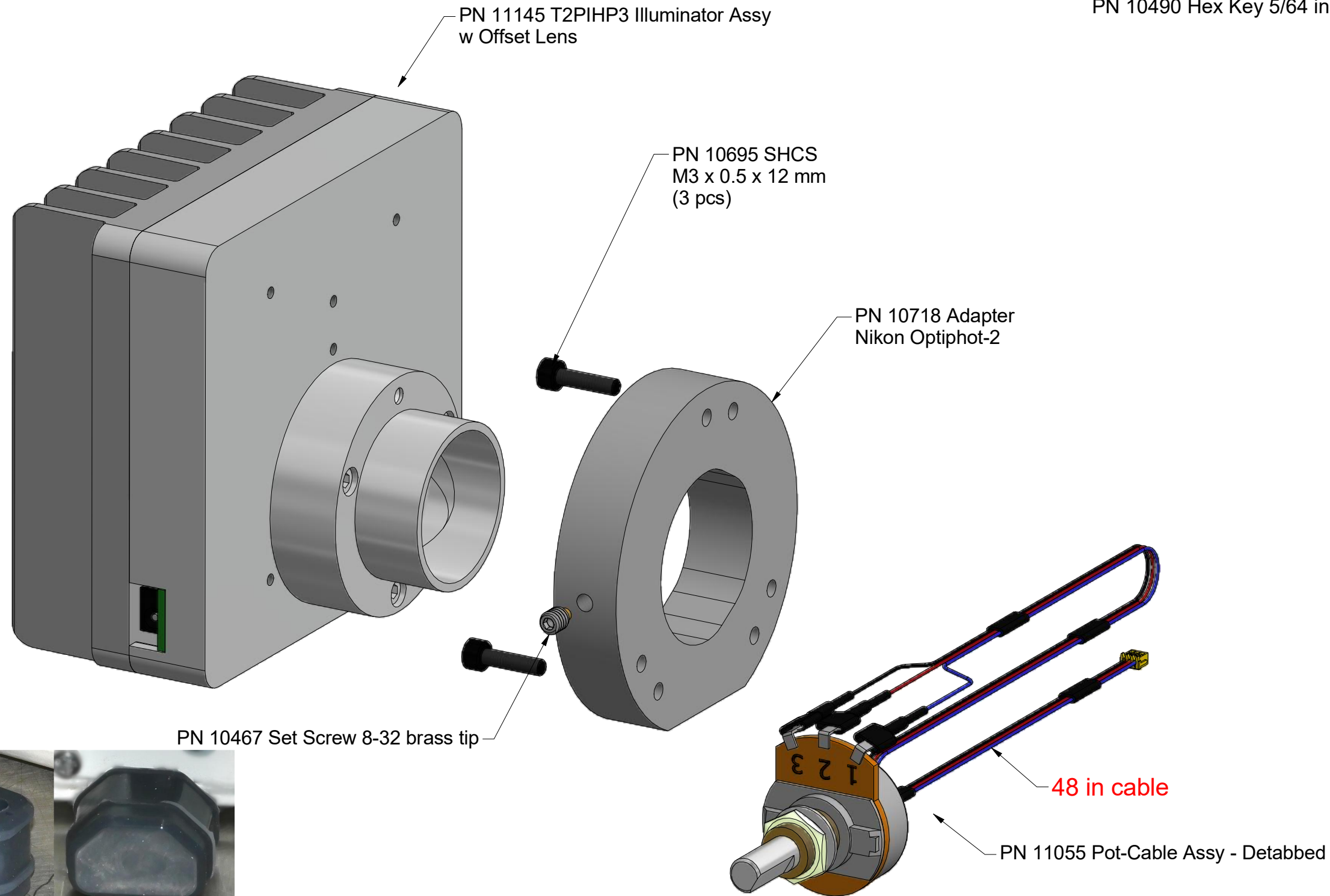


# Nanodyne Replacement Illuminator for Nikon L200: Included Items

## Additional Items Included But Not Shown:

- PN 10460 Hex Key 4mm (to open microscope base)
- PN 10566 Hex Key 2.5mm (to attach adapter to microscope)
- PN 10490 Hex Key 5/64 inch (to attach illuminator to adapter)



PN 11163 Power Supply 5V 2.1A and  
PN 10734 Power Cable 1.35mm  
ID/3.5mm OD x USB A 6 ft.

The illuminator may be powered by plugging the cable into the power supply provided, or into a suitable USB port on a computer or other device.



3M VHB tape to secure pot cable

Power supplies are subject to substitution without notice due to availability issues and changes in regulations.



PN 10736 Rubber plug to block unused  
AC power receptacle.

Han-Seung Yang	11/9/2020
PN 11672 Nikon L200 Illuminator System	REV 2
SHEET 1 OF 1	