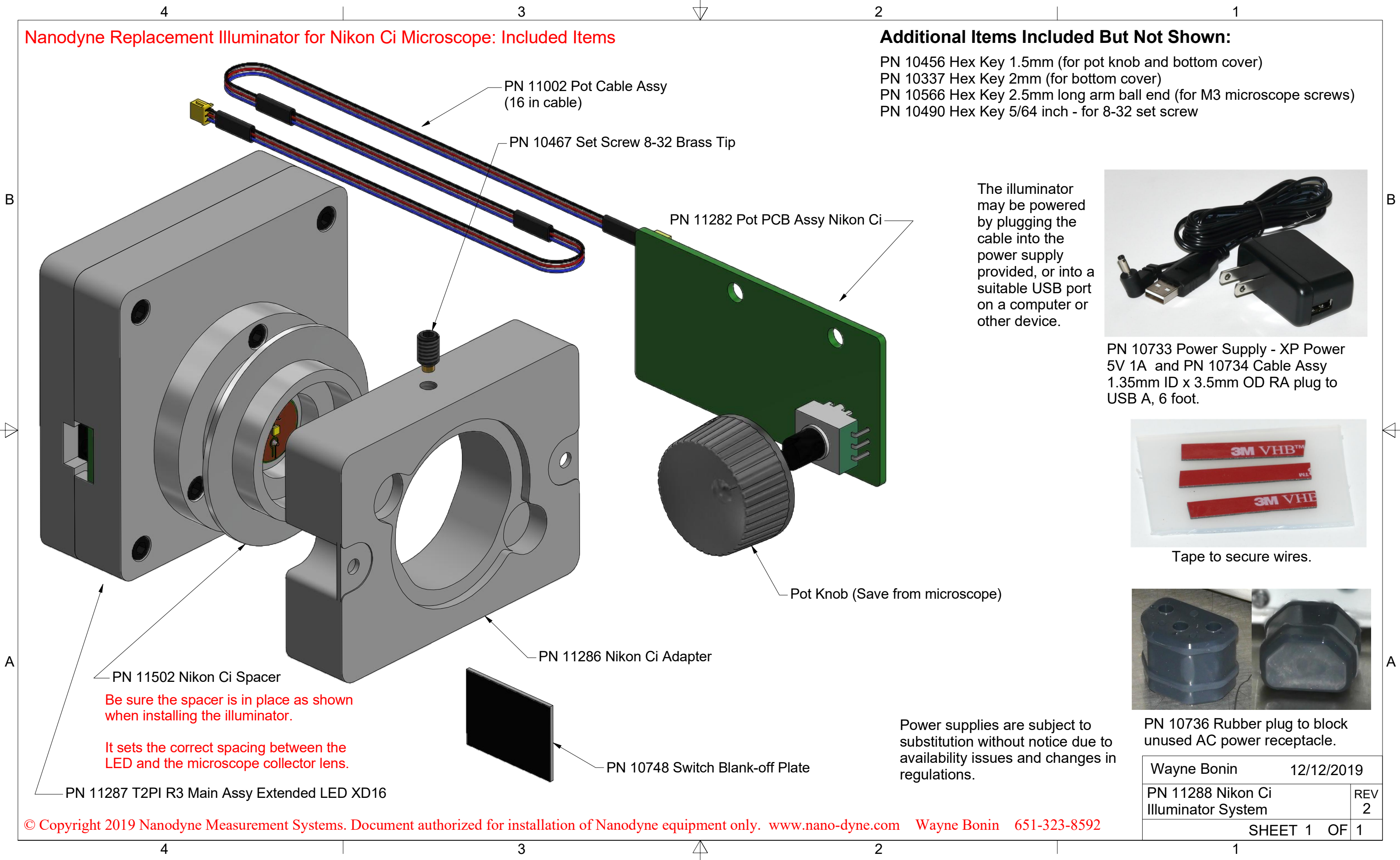


Nanodyne Replacement Illuminator for Nikon Ci Microscope: Included Items

Additional Items Included But Not Shown:

- PN 10456 Hex Key 1.5mm (for pot knob and bottom cover)
- PN 10337 Hex Key 2mm (for bottom cover)
- PN 10566 Hex Key 2.5mm long arm ball end (for M3 microscope screws)
- PN 10490 Hex Key 5/64 inch - for 8-32 set screw



The illuminator may be powered by plugging the cable into the power supply provided, or into a suitable USB port on a computer or other device.



PN 10733 Power Supply - XP Power 5V 1A and PN 10734 Cable Assy 1.35mm ID x 3.5mm OD RA plug to USB A, 6 foot.



Tape to secure wires.



PN 10736 Rubber plug to block unused AC power receptacle.

Power supplies are subject to substitution without notice due to availability issues and changes in regulations.

Be sure the spacer is in place as shown when installing the illuminator.

It sets the correct spacing between the LED and the microscope collector lens.

PN 11287 T2PI R3 Main Assy Extended LED XD16

Wayne Bonin	12/12/2019	
PN 11288 Nikon Ci Illuminator System		REV 2
SHEET 1 OF 1		