

# Nanodyne Replacement Illuminator for 50W Nikon Diaphot 200 & 300 - Remote Pot: Included Items and Installation Instructions

## Additional Items Included But Not Shown:

PN 10490 Hex Key 5/64 (for 8-32 set screw)

## Installation:

Loosen the set screw holding the old illuminator to the condenser lens assembly of the microscope and remove the old illuminator.

Slip the Nanodyne illuminator onto the condenser lens assembly of the microscope and tighten the set screw using the 5/64 hex key provided.

Plug in the power supply and adjustment pot cable.

The illuminator is fully off when the adjustment pot is turned counter clockwise. There may or may not be a click in the off position. Do not force it.



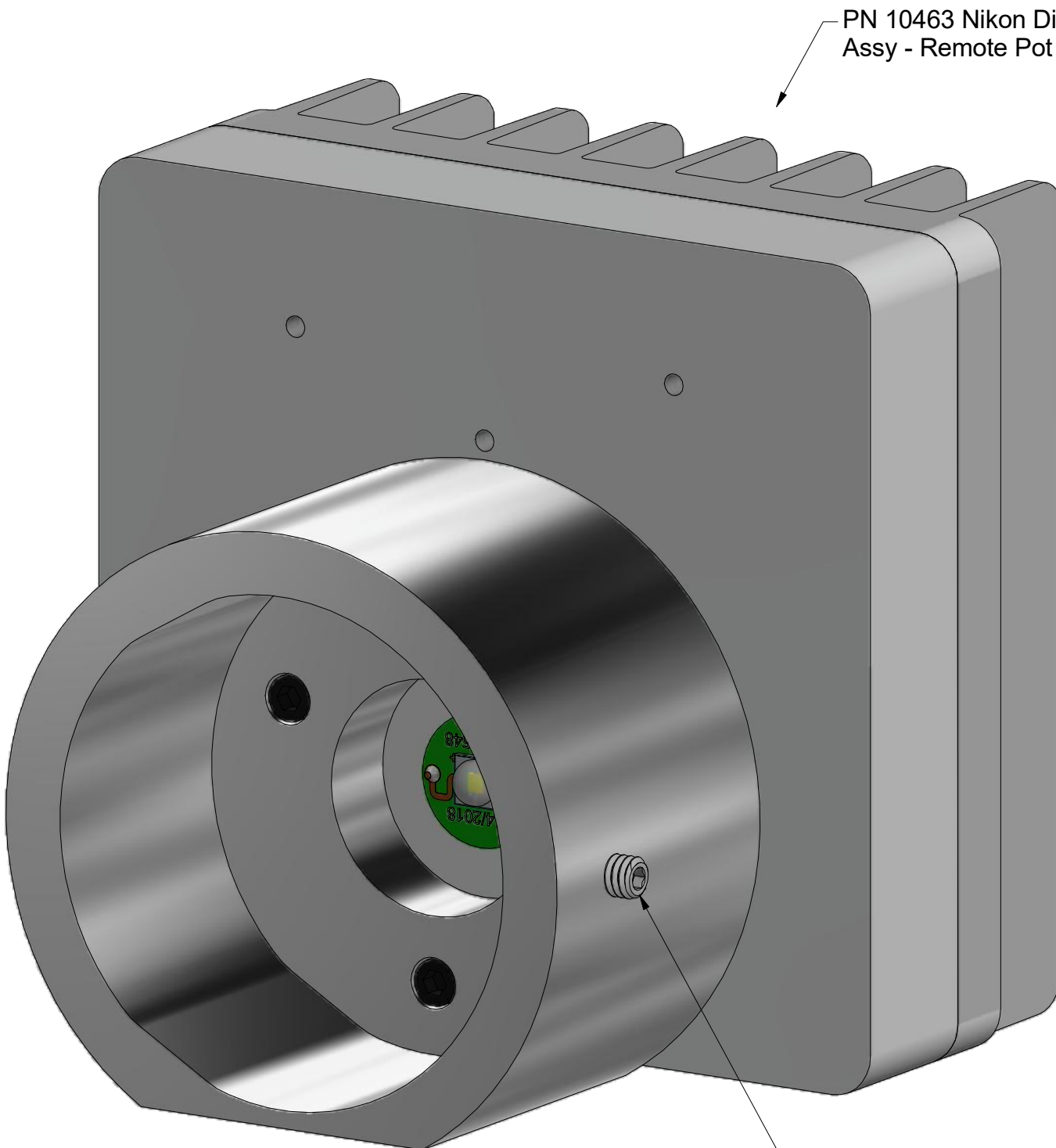
PN 11163 Power Supply 5V 2.1A and PN 10734 Power Cable 1.35mm ID/3.5mm OD x USB A 6 ft.

The illuminator may be powered by plugging the cable into the power supply provided, or into a suitable USB port on a computer or other device.

Power supplies are subject to substitution without notice due to availability issues and changes in regulations.

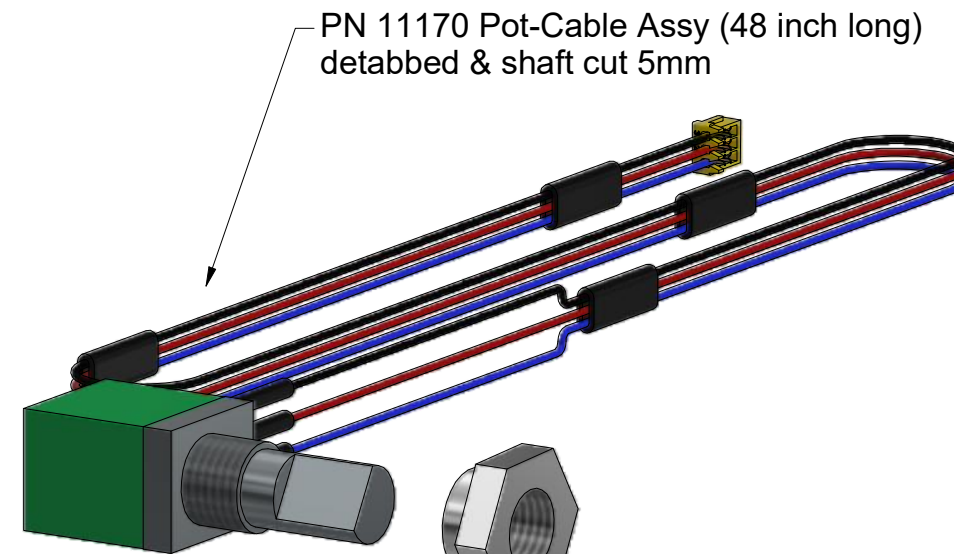


PN 10736 Rubber plug to block unused AC power receptacle.



PN 10463 Nikon Diaphot Illuminator Assy - Remote Pot

PN 10467 Set Screw 8-32 Brass Tip



PN 11170 Pot-Cable Assy (48 inch long) detabbed & shaft cut 5mm

PN 11522 Custom Nut M7 x 0.75mm - 8mm Bushing - 0.4375 in Hex

|  |  |           |
|--|--|-----------|
| Han-Seung Yang   |  | 2/22/2021 |
| PN 11224 Nikon Diaphot 200 & 300 - 50W Illuminator System - Remote Pot |  | REV 1     |
| SHEET 1  |  | OF 1      |