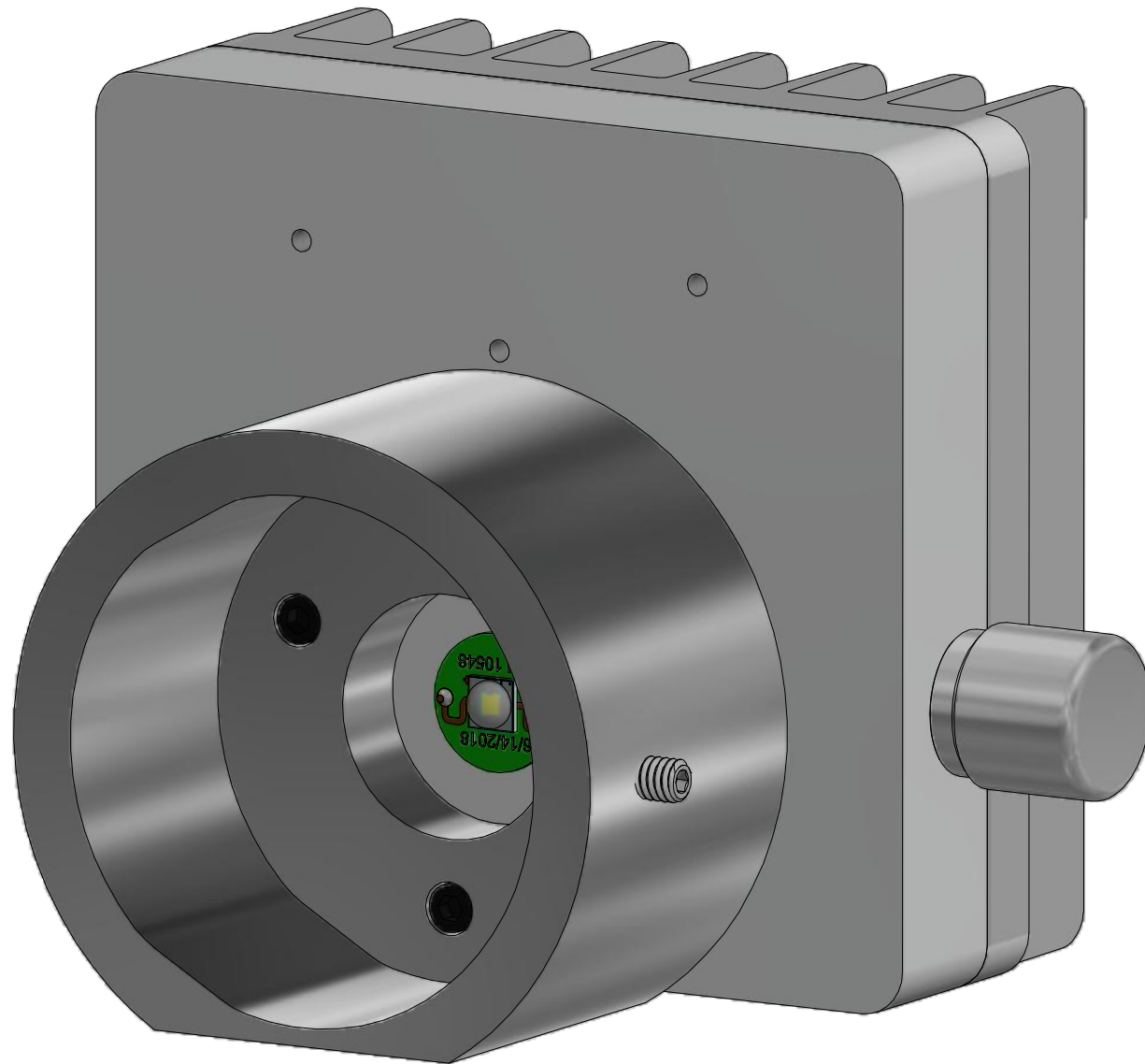


## Nanodyne Replacement Illuminator for Nikon Optiphot - Included Items

PN 10463 Nikon Diaphot Illuminator Assy



### Installation:

Loosen the set screw holding the old illuminator to the collector lens assembly of the microscope and remove the old illuminator.

Slip the Nanodyne illuminator onto the lens assembly of the microscope and tighten the set screw using the 5/64 hex key provided.

Connect the power cable and plug in the power supply. Operate via the adjustment pot.

Note that the illuminator mounted adjustment potentiometer is standard on this unit. Ask about a remote adjustment pot if desired. Top adjust is also available.

**Note that this illuminator replaces the original 50W illuminator with the black metal housing. See our Nikon Optiphot-2 system if you have a 100W illuminator. That unit has a plastic housing that is usually cream colored, but some are black.**

PN 11476 AC Power Blank Off Plate



## Additional Items Included But Not Shown:

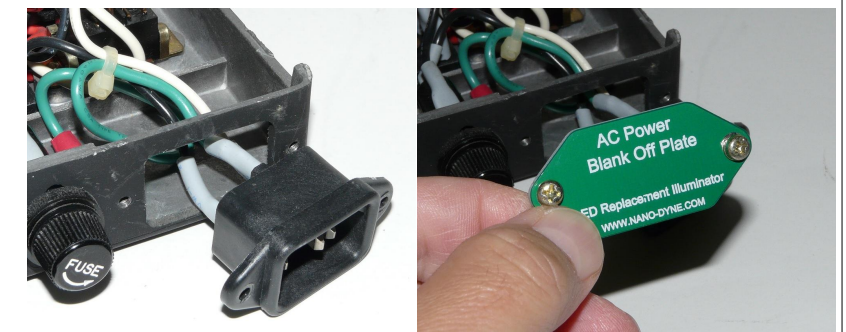
PN 10490 Hex Key 5/64 (for 8-32 set screw)



PN 11163 Power Supply 5V 2.1A and PN 10734 Power Cable 1.35mm ID/3.5mm OD x USB A 6 ft.

The illuminator may be powered by plugging the cable into the power supply provided, or into a suitable USB port on a computer or other device.

Power supplies are subject to substitution without notice due to availability issues and changes in regulations.



PN 11476 AC Power Blank Off Plate to replace unused AC power receptacle.

Han-Seung Yang	2/23/2021	
PN 11223 Nikon Optiphot Illuminator System		REV 5
SHEET 1 OF 1		