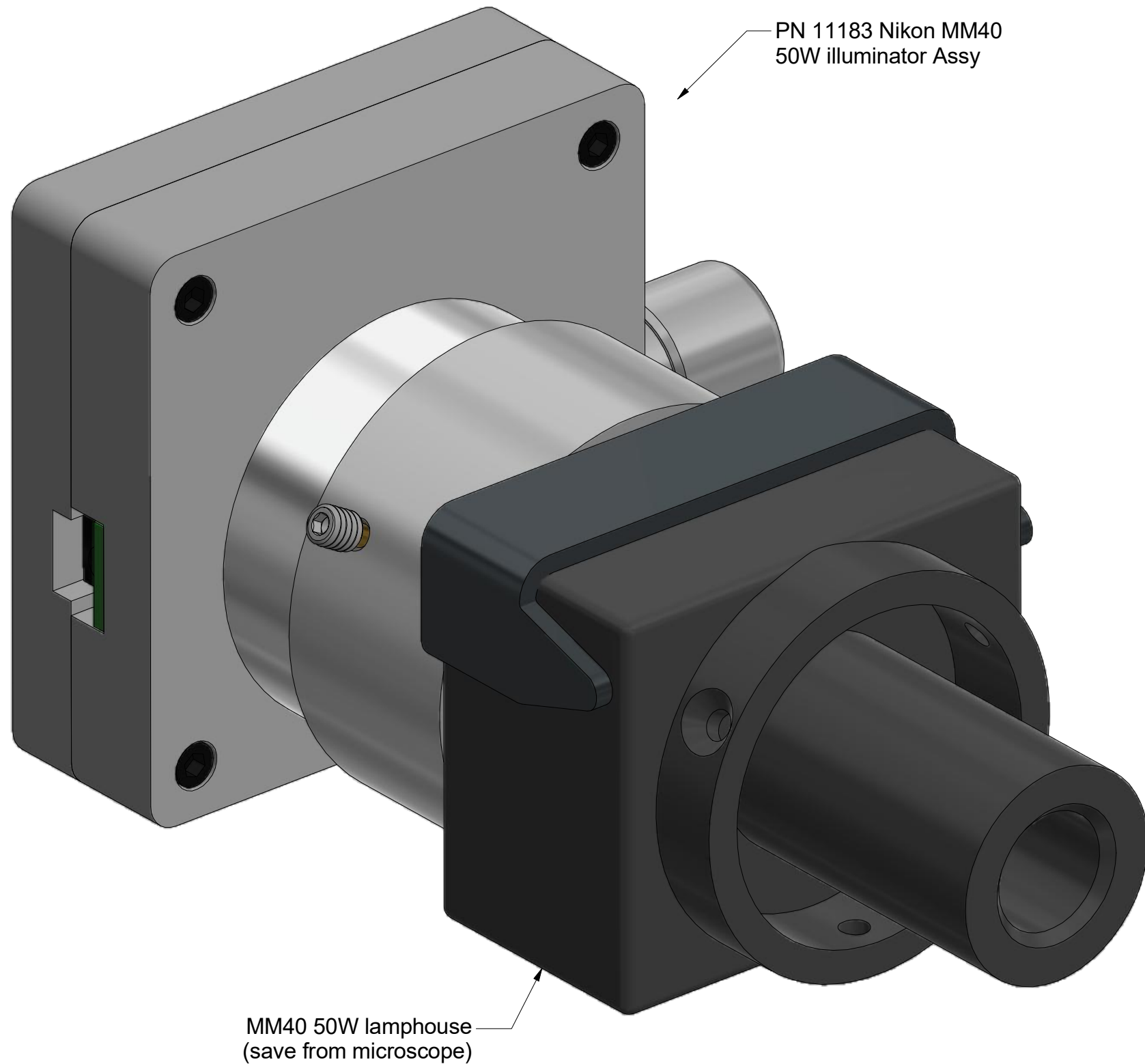


Nanodyne Replacement Illuminator for Nikon MM40 50W Microscope: Included Items

Additional Items Included But Not Shown:
PN 10490 Hex Key 5/64 Short Arm (for set screw)



NOTE - You can specify Side Adjust when ordering to get the intensity adjust on the side of the illuminator, for easier installation.



Tape to secure wires.



PN 10736 Rubber plug to block unused AC power receptacle.

The illuminator may be powered by plugging the cable into the power supply provided, or into a suitable USB port on a computer or other device.



Power supplies are subject to substitution without notice due to availability issues and changes in regulations.

PN 10733 Power Supply and PN 10734 Cable Assy 1.35mm ID x 3.5mm OD RA plug to USB A 6 foot

Han-Seung Yang	10/8/2020	
PN 11184 Nikon MM40 50W illuminator System		REV 3
SHEET 1 OF 1		