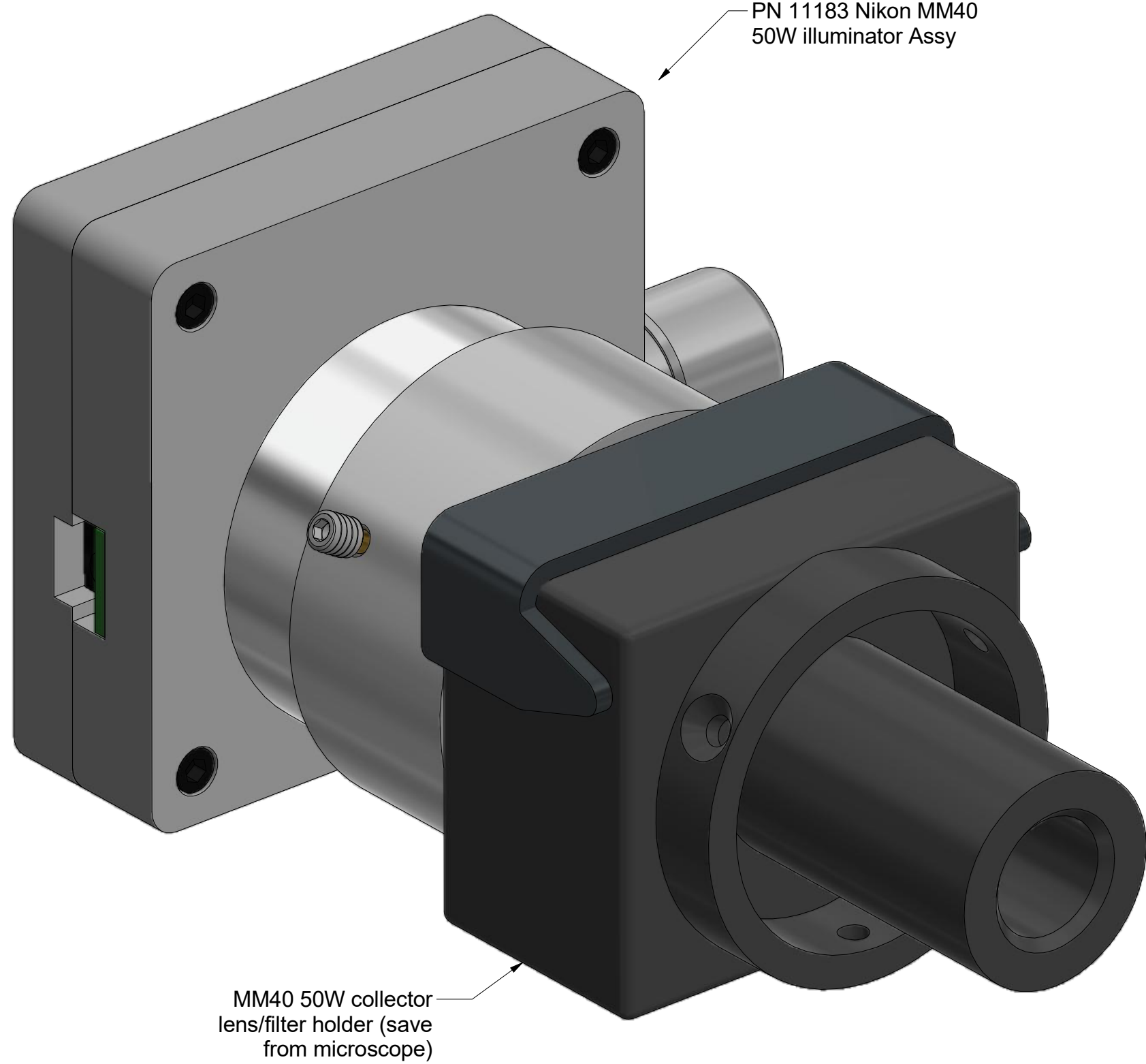


Nanodyne Replacement Illuminator for Nikon MM40 50W Microscope, Installation Instructions: Included Items

Additional Items Included But Not Shown:
 PN 10490 Hex Key 5/64 Short Arm (for set screw)



Tape to secure wires.



PN 10736 Rubber plug to block unused AC power receptacle.

The illuminator may be powered by plugging the cable into the power supply provided, or into a suitable USB port on a computer or other device.



PN 10733 Power Supply and PN 10734 Cable Assy 1.35mm ID x 3.5mm OD RA plug to USB A 6 foot

NOTE - You can specify Side Adjust when ordering to get the intensity adjust on the side of the illuminator, for easier installation.

Power supplies are subject to substitution without notice due to availability issues and changes in regulations.

Han-Seung Yang	10/8/2020
PN 11184 Nikon MM40 50W illuminator System Installation Instruction	REV 2
SHEET 1 OF 4	

Nanodyne Replacement Illuminator for Nikon MM40 50W Microscope, Installation Instructions: Step 1. Unscrew old lamp housing and attach Nanodyne adapter.



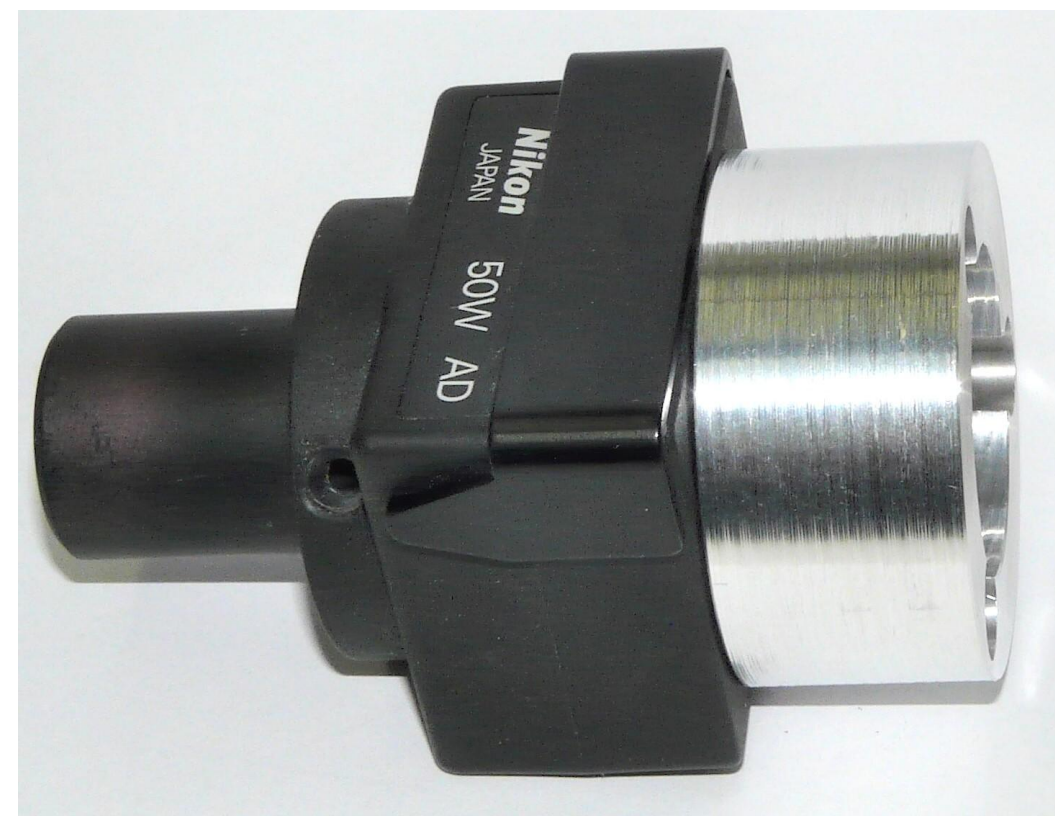
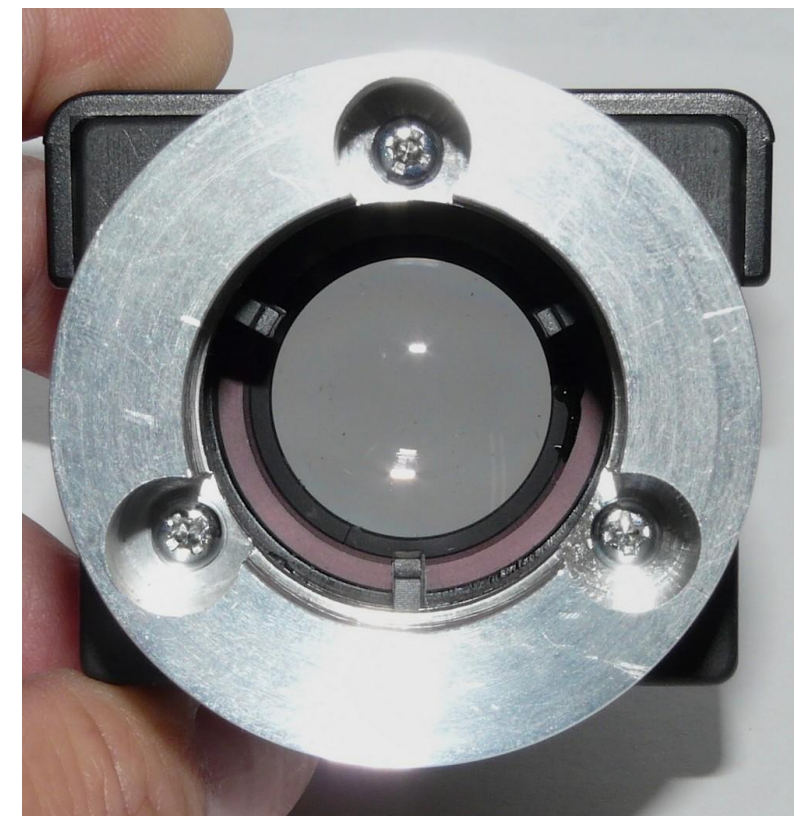
(1) Remove the lamp house assembly from the collector lens/filter holder assembly of the original illuminator as shown above.



(2) The Nanodyne mounting adapter will be attached to the collector lens/filter holder assembly from the microscope.



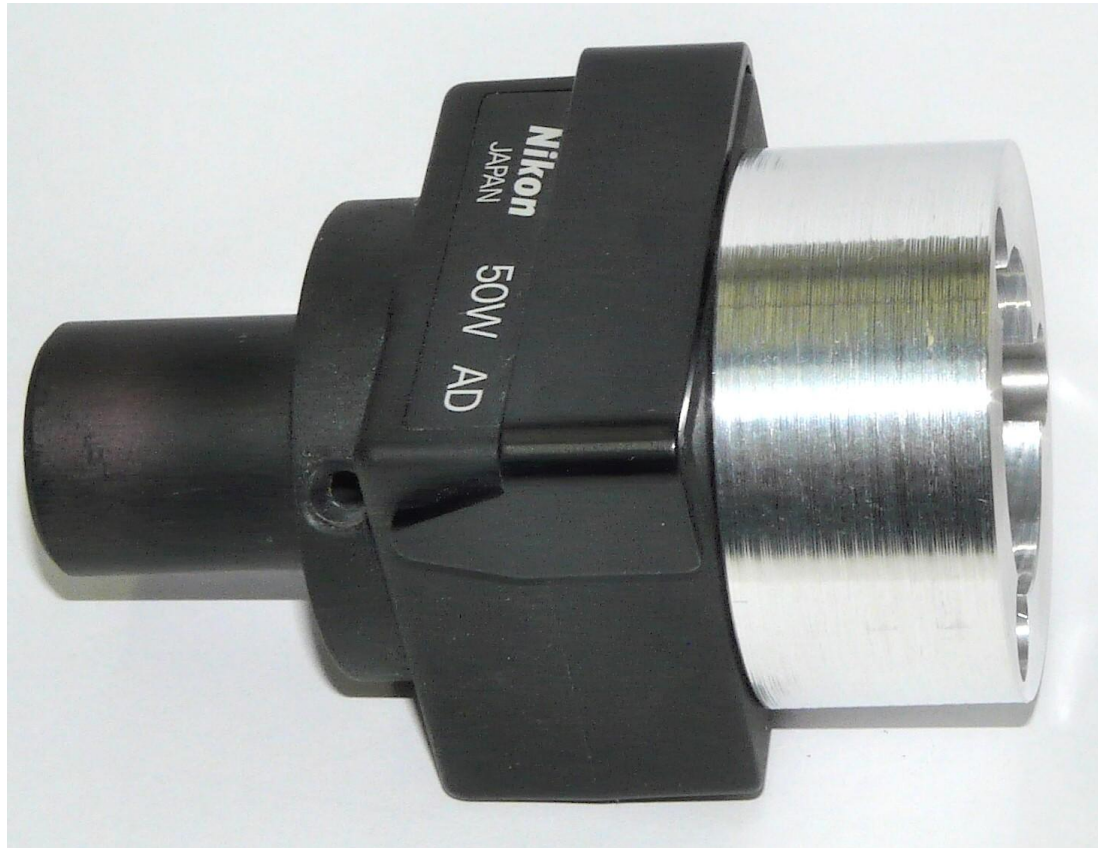
(3) Attach the Nanodyne mounting adapter to the collector lens/filter holder assembly from the microscope. Use the screws from the original illuminator.



(4&5) The mounting assembly is ready to install on the microscope.

Han-Seung Yang		10/8/2020
PN 11184 Nikon MM40 50W illuminator System Installation Instruction		REV 2
SHEET 2		OF 4

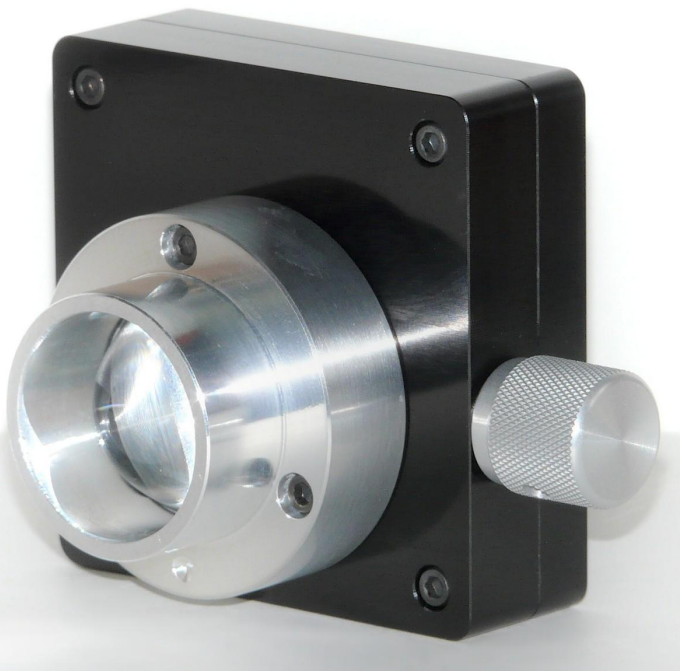
Nanodyne Replacement Illuminator for Nikon MM40 50W Microscope, Installation Instructions: Step 2. Attach Nanodyne illuminator.



(1) Attach the above assembly to the microscope the same way the black part was originally attached.

(2) Insert the nose of the illuminator into the mounting adapter and secure the set screw with the hex key.

(This photo shows an old model illuminator.)



The two photos above show the current illuminator model (with side adjust).

(3) If you have the model with the adjustment pot on the side (Photos at bottom left) just connect the power supply and it is ready to operate.

Connect the USB end of the power cord to the power supply, plug the round end of the cord into the side of the illuminator, and plug the power supply into an AC outlet.

If you have the remote pot unit shown on the first page your illuminator will not have an adjustment knob. You need to install and connect the PN 11170 Pot-Cable Assy shown on the first page.

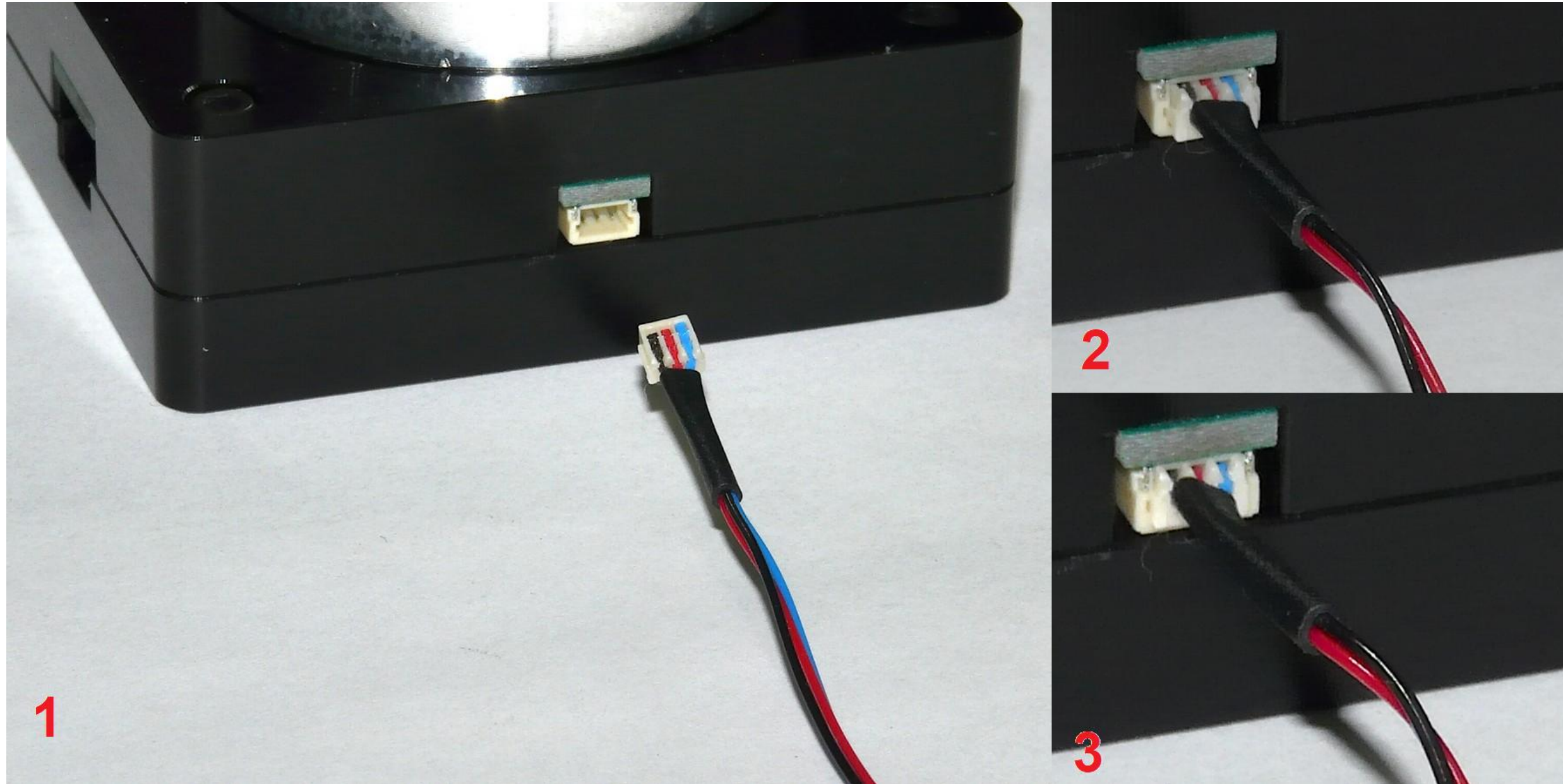
Remove the bottom cover of the microscope to access the original adjustment pot (we assume - we did not have access to an MM40 to verify). Remove the knob from the original pot, and remove the pot. Install the Nanodyne pot in its place. Route the cable to the back of the microscope and connect to the illuminator. Use red 3M tape to secure the cable so it cannot get damaged by any moving parts.

See sheet 4 for further instructions on connecting the cable to the illuminator.

(4) If the microscope has an AC power receptacle that is no longer used, block it with the rubber plug shown on the first page. This will prevent a possible electrical or fire hazard from old electrical parts that are not needed now.

Han-Seung Yang	10/8/2020
PN 11184 Nikon MM40 50W illuminator System Installation Instruction	REV 2
SHEET 3 OF 4	

Nanodyne Replacement Illuminator for Nikon MM40 50W Microscope, Installation Instructions: Step 3. Connect the Pot Cable to the Illuminator.



Align the pot cable with the illuminator connector as shown in photo 1. The connector is keyed to fit one way only.

Holding the cable by the black heat shrink tubing, insert it as shown in photo 2. Note it is inserted about 2/3 of the way. Do not try to fully insert it while holding the heat shrink. The wires will just collapse.

Use your finger nails, small tweezers or a tiny flat blade screwdriver to push on the sides of the cable connector (left and or right sides from the heat shrink). You should hear or feel a small click as it connects, if the environment is quiet. Photo 3 shows it fully inserted.

If you need to disconnect it, just firmly grab the wires and pull straight out. The connector is far tougher than you would expect. We have never had one fail from doing this.

Han-Seung Yang	10/8/2020
PN 11184 Nikon MM40 50W illuminator System Installation Instruction	REV 2
SHEET 4 OF 4	