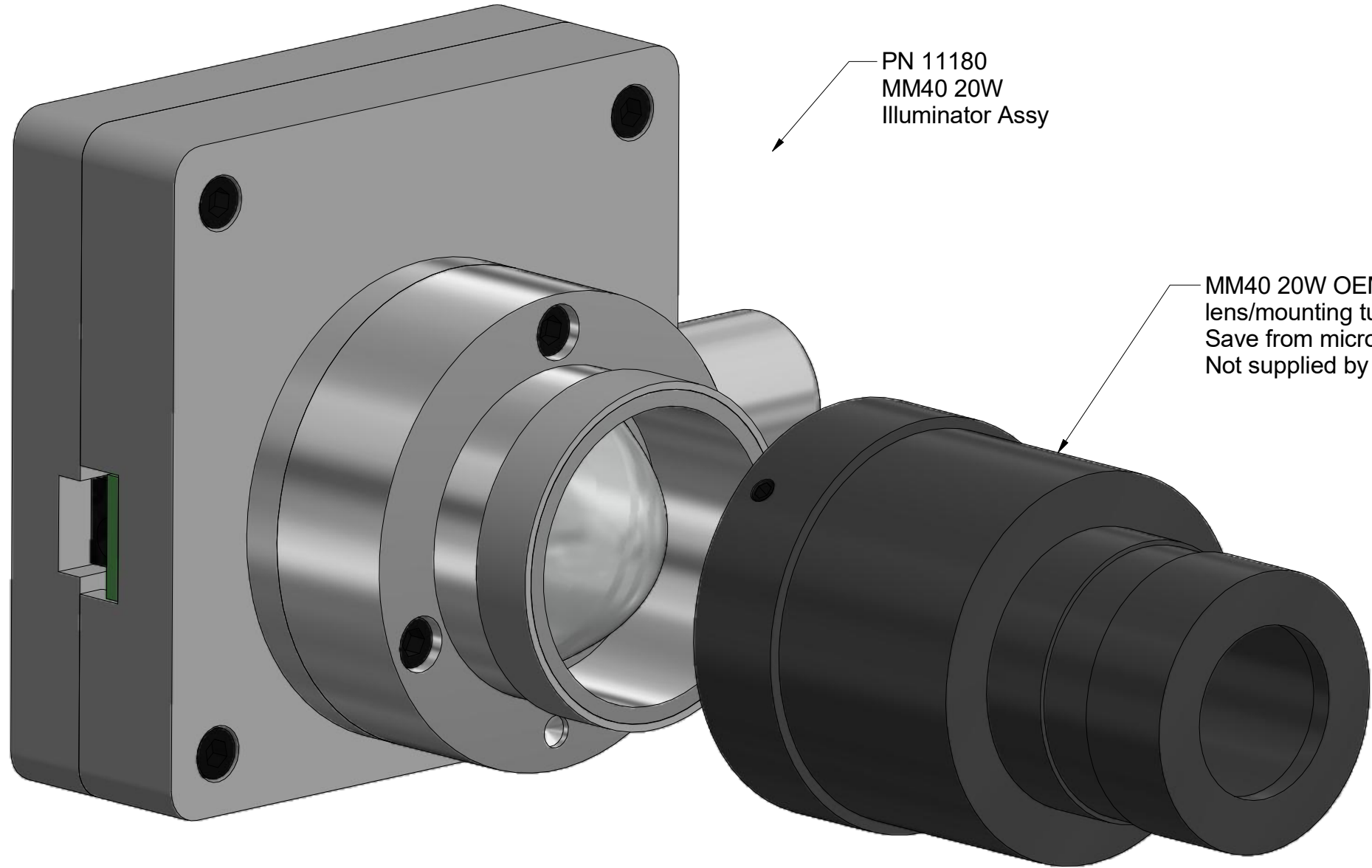


Nanodyne Replacement Illuminator for Nikon MM40 20W Microscope - Included Items

***Note that the illuminator mounted adjustment potentiometer is standard on this unit. Ask about a remote adjustment pot if desired.**

Additional Items Included But Not Shown:

PN 10456 Hex Key 1.5mm (for set screws in OEM collector lens tube)



PN 10733 Power Supply - XP Power 5V 1A and PN 10734 Cable 6 foot USB A to 1.35mm ID/3.5mm OD RA Barrel Plug.

The illuminator may be powered by plugging the cable into the power supply provided, or into a suitable USB port on a computer or other device.



PN 10736 Rubber plug to block unused AC power receptacle.

Power supplies subject to substitution without notice due to availability issues and changes in regulations.

Wayne Bonin	3/30/2020
PN 11181 Nikon MM40 20W illuminator System	REV 2
SHEET 1 OF 1	