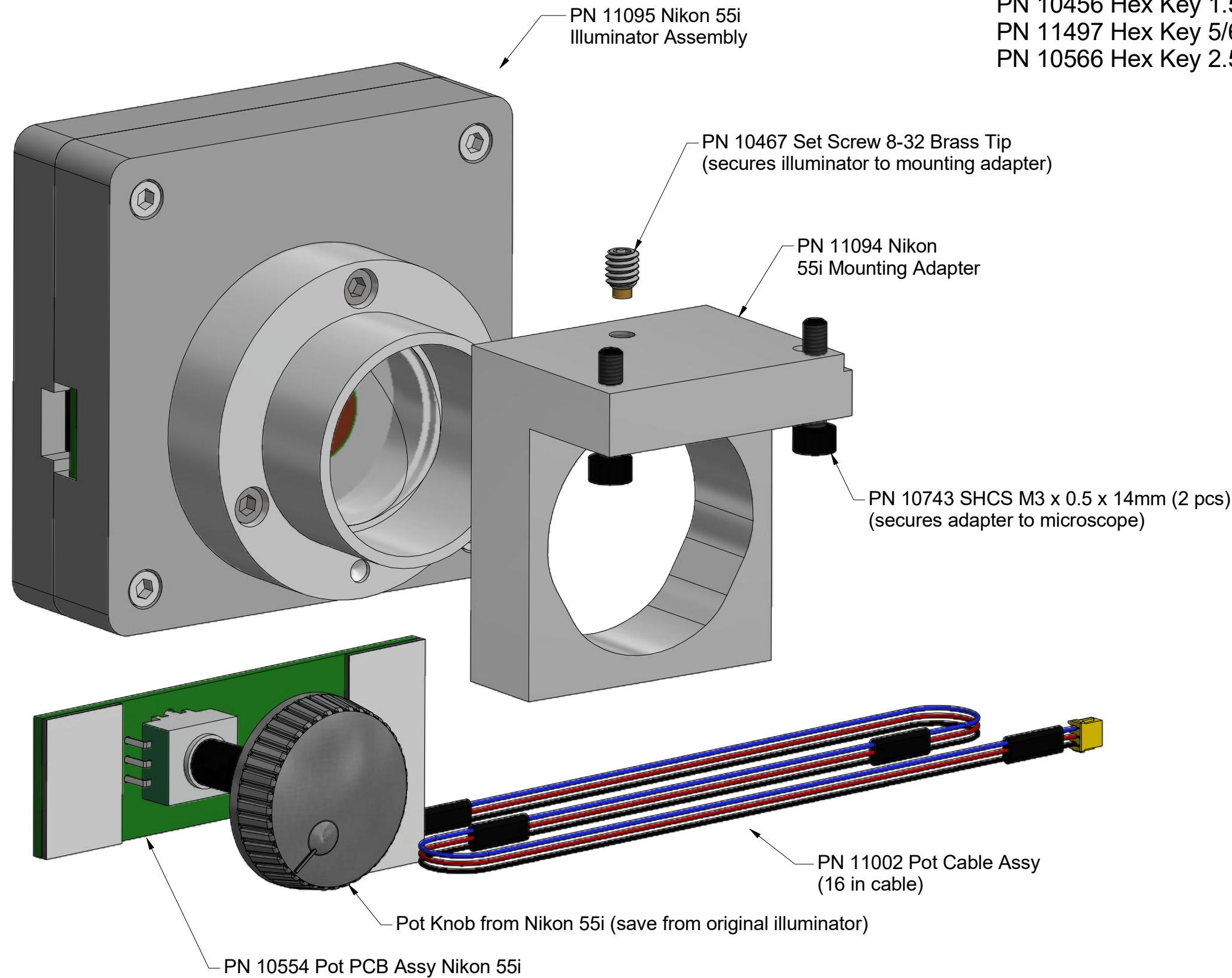


Nanodyne Replacement Illuminator for Nikon 55i Microscope - Included Items

Additional Items Included But Not Shown:

- PN 10456 Hex Key 1.5mm (for pot knob)
- PN 11497 Hex Key 5/64 inch Ball End (for 8-32 set screw)
- PN 10566 Hex Key 2.5mm long arm ball end (for M3 mounting screws)



Tape to secure wires.



The illuminator may be powered by plugging the cable into the power supply provided, or into a suitable USB port on a computer or other device.

PN 10733 Power Supply - XP Power 5V 1A and PN 10734 Cable Assy 1.35mm ID x 3.5mm OD RA plug to USB A, 6 foot.

Power supplies are subject to substitution without notice due to availability issues and changes in regulations.

Wayne Bonin	3/30/2020
PN 11096 Nikon 55i Illuminator System R1	REV 2
SHEET 1 OF 1	