

**Nanodyne Replacement Illuminator for Nikon TS100 Microscope - Included Items**

**Additional Items Included But Not Shown:**

- PN 10337 Hex Key 2mm (for pot knob)
- PN 10490 Hex Key 5/64 inch (for brass tip set screw)
- PN 10566 Hex Key 2.5mm (for 3mm screws)
- PN 10610 Cable Tie 6in (3pcs)

The illuminator may be powered by plugging the cable into the power supply provided, or into a suitable USB port on a computer or other device.



PN 10733 Power Supply - XP Power 5V 1A and PN 10734 Cable Assy 1.35mm ID x 3.5mm OD RA plug to USB A, 6 foot.



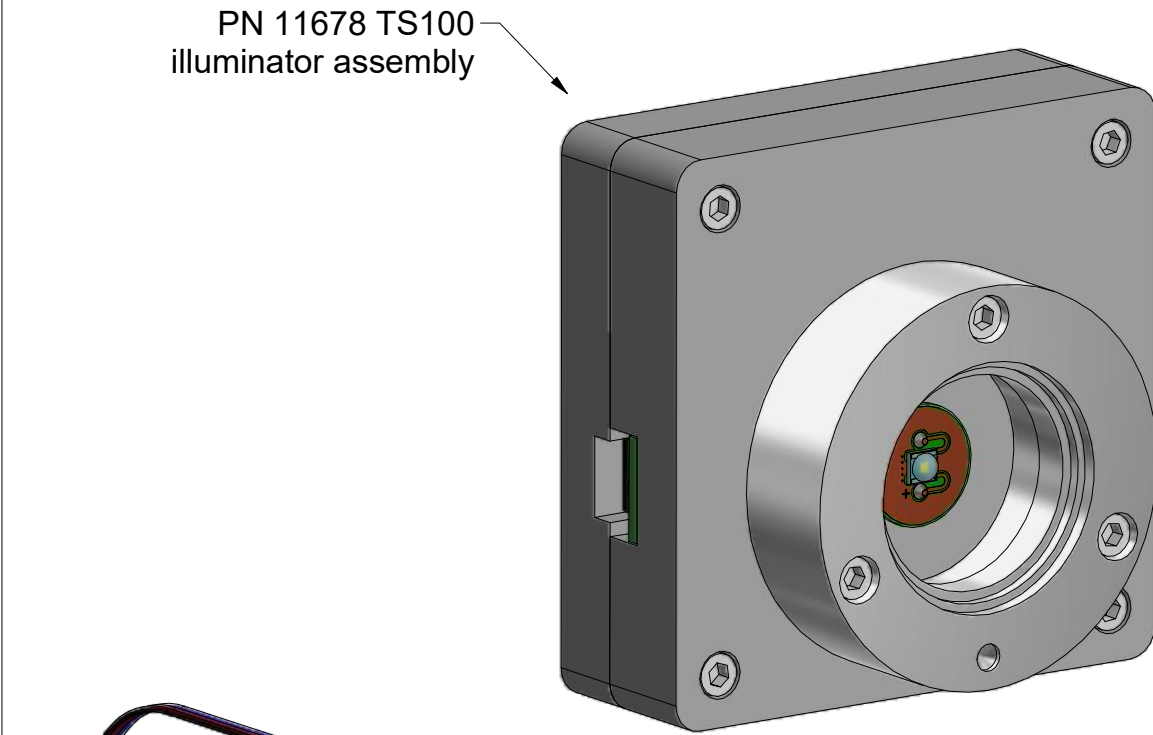
Tape to secure wires.



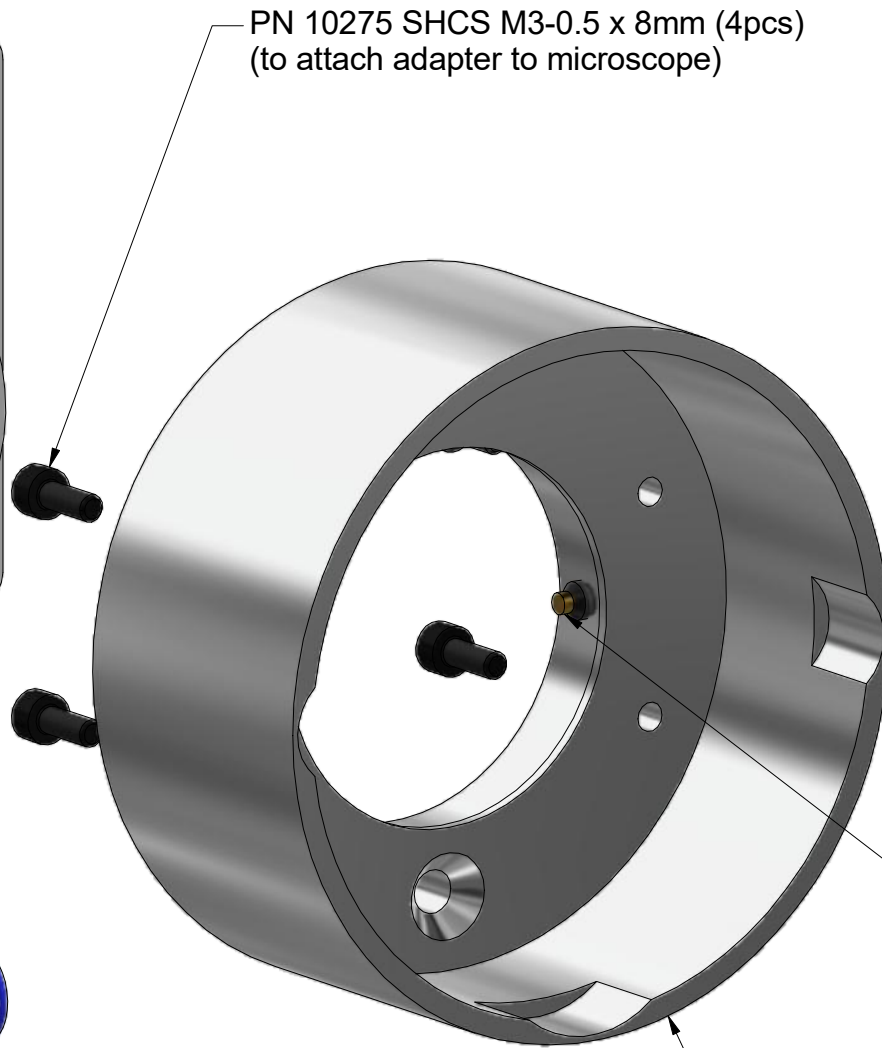
PN 10736 Rubber plug to block unused AC power receptacle.

Power supplies are subject to substitution without notice due to availability issues and changes in regulations.

Wayne Bonin	10/20/2021
PN 10976 Nikon Eclipse TS100 Illuminator System	REV 6
SHEET 1 OF 1	



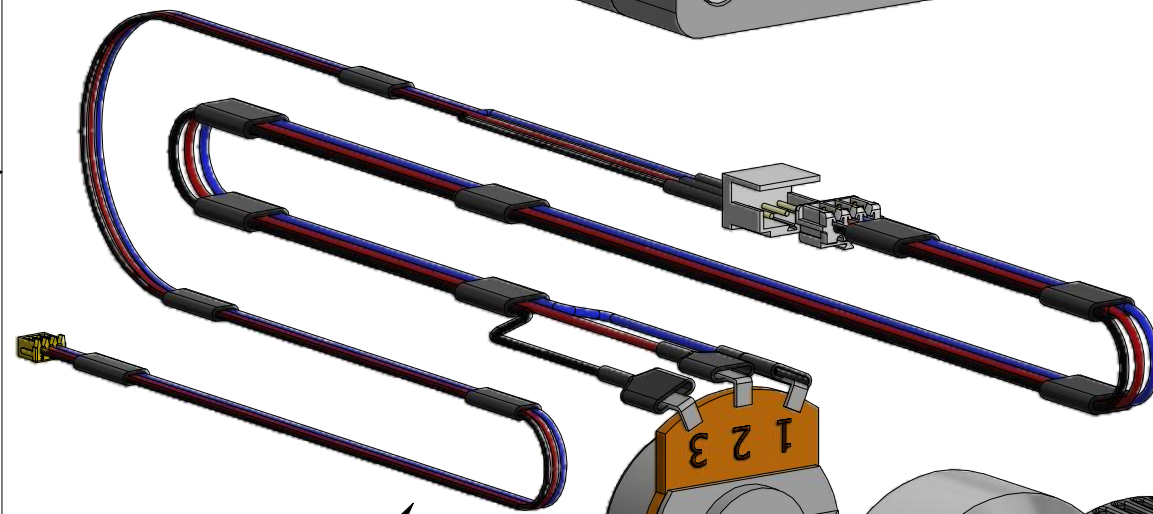
PN 11678 TS100 illuminator assembly



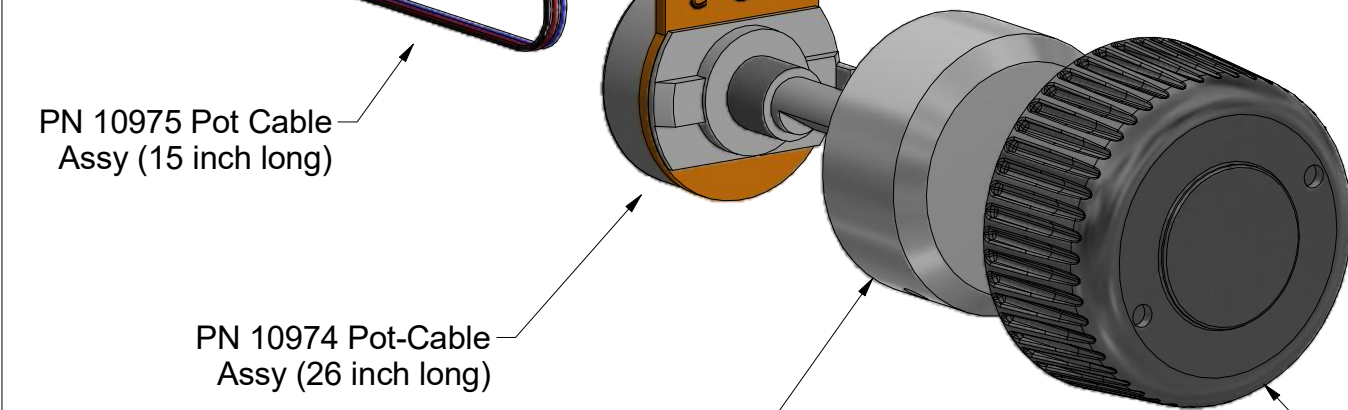
PN 10275 SHCS M3-0.5 x 8mm (4pcs) (to attach adapter to microscope)

PN 10467 Set Screw 8-32 Brass Tip

PN 10969 Nikon Eclipse TS100 Adapter



PN 10975 Pot Cable Assy (15 inch long)



PN 10974 Pot-Cable Assy (26 inch long)

Pot Knob (save from microscope)

Pot Knob Cover (save from microscope)