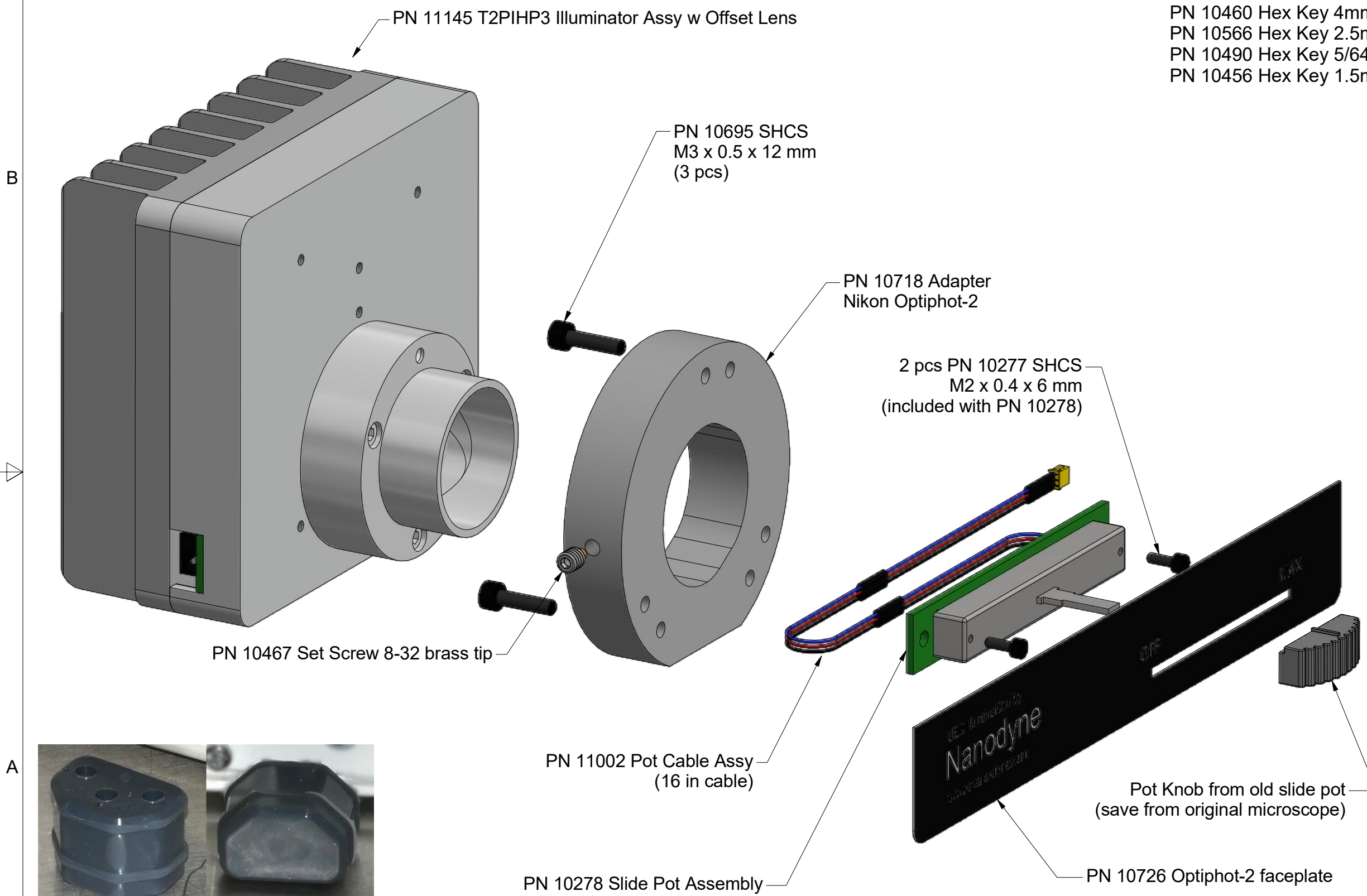


# Nanodyne Replacement Illuminator for Nikon Optiphot-2: Included Items

## Additional Items Included But Not Shown:

- PN 10460 Hex Key 4mm (to open microscope base)
- PN 10566 Hex Key 2.5mm (to attach adapter to microscope)
- PN 10490 Hex Key 5/64 inch (to attach illuminator to adapter)
- PN 10456 Hex Key 1.5mm (to attach new slide pot to microscope)



PN 11163 Power Supply 5V 2.1A and PN 10734 Power Cable 1.35mm ID/3.5mm OD x USB A 6 ft.

The illuminator may be powered by plugging the cable into the power supply provided, or into a suitable USB port on a computer or other device.



3M VHB tape to secure pot cable



PN 10736 Rubber plug to block unused AC power receptacle.

Power supplies are subject to substitution without notice due to availability issues and changes in regulations.

Han-Seung Yang		11/10/2020
PN 10725 Nikon Optiphot-2 Illuminator System		REV 8
SHEET 1		OF 1