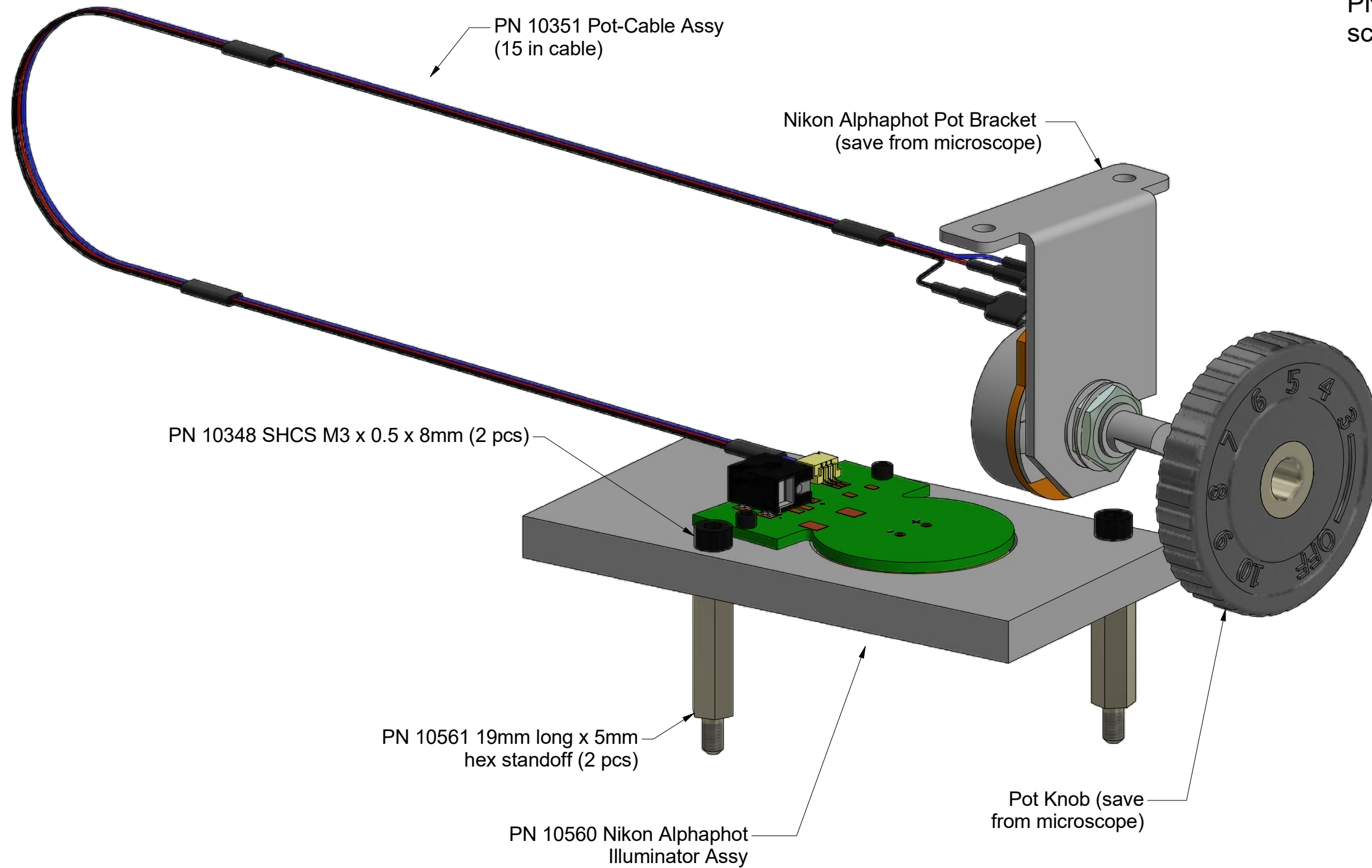


Nanodyne Replacement Illuminator for Nikon Alphaphot Microscope - Included Items

Parts included but not shown:

PN 10457 Hex Key 2.5mm short arm (for M3 screws)



PN 10733 Power Supply - XP Power 5V 1A and PN 10734 Cable Assy 1.35mm ID x 3.5mm OD RA plug to USB A, 6 foot.

The illuminator may be powered by plugging the cable into the power supply provided, or into a suitable USB port on a computer or other device.

Power supplies are subject to substitution without notice due to availability issues and changes in regulations.



3M VHB tape to secure wires

Wayne Bonin	3/23/2019
PN 10563 Nikon Alphaphot Illuminator System	REV 2
SHEET 1	OF 1